



Aluminium



Stainless steel

Flameproof enclosures BARTEC B or EJB series are designed to be installed in industrial plants, where potential hazardous atmospheres occur. These areas are either classified as zone 1 and 2 or as zone 21 and 22.

These enclosures are designed to contain regular industrial electrical components or equipment on the mounting plate like fuses, transformers, circuit breakers, relays, PLC etc. and to be fully integrated in the hazardous area as control- or distribution panel.

Depending on the installed components; observe the specifications on the type label.

According to EN-IEC 60079-0,-1

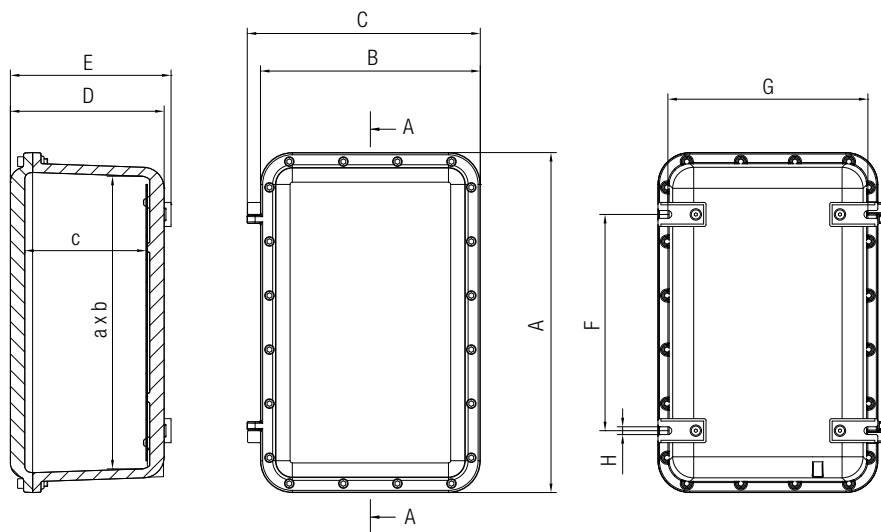
Explosion protection

Marking ATEX	Ⓜ II 2G Ex d IIB+H ₂ T6 to T3 Gb Ⓜ II 2D Ex tb IIIC T80°C to T130°C Db
Certification	DEKRA 13 ATEX 0209
Marking IECEx	Ex II 2G Ex d IIB+H ₂ T6 to T3 Gb Ex II 2D Ex tb IIIC T80°C to T130°C Db
Certification	IECEX DEK 13.0075
Other approvals and certificates, see www.bartec.de	
Ambient temperature	Depending on the installed parts; observe specifications on the type label. -20 °C to +40 °C standard -40 °C to +55 °C optional -55 °C to +80 °C maximum for some applications
Approved for zones	1, 2 and 21, 22

Technical data

Protection class (acc. to IEC 60529)	max. IP 66
Enclosure material	Copper free aluminium alloy (< 0.1% copper) Stainless steel AISI 316L
Surface treatment	External powder type painted RAL9006 (cast aluminium version) unpainted (stainless steel version) Internal anti-condense painting RAL 2004 (optional)
Earthing and bonding	Internal and external earth bolt (M6)
Enclosure lid	Bolts in stainless steel SS304 for aluminium and SS316 for stainless steel enclosures
Mounting plate	Aluminium enclosure: Galvanized Steel Stainless steel enclosure: Stainless Steel
Mounting brackets	Black epoxy painted aluminium Galvanized steel for EJB 7. / 9.
Hinges	Casted on long side (standard) Aluminium hinges on the short side (optional)
Windows	Windows available in the cover of the enclosure according to below table

Overall dimensions and weights aluminium EJB

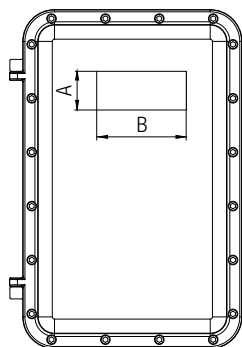


Ordering information

Name	Dimensions (mm)										Mountingplate mm
	B	A	C	b	a	c	G	D	H	Kg	
EJB11ACMXA0A0A	175	175	132	115	115	91	78	173	13	4	100 x 100 x 2
EJB21ACMXA0A0A	245	285	179	180	220	121	245	160	13	13	140 x 180 x 2
EJB22ACMXA0A0A	200	300	234	135	235	175	188	195	13	10	120 x 220 x 2
EJB23ACMXA0A0A	260	310	207	200	250	155	240	195	13	15	170 x 210 x 2
EJB30ACMXA0A0A	315	415	178	251	351	114	295	294	13	20	220 x 320 x 2
EJB31ACMXA0A0A	315	415	259	251	351	195	295	294	13	24	220 x 320 x 2
EJB51ACMXA0A0A	366	566	269	300	500	201	336	360	13	36	260 x 460 x 3
EJB63ACMXA0A0A	470	670	245	400	600	180	440	500	13	49	340 x 540 x 3
EJB61ACMXA0A0A	470	670	372	400	600	305	440	500	13	58	340 x 540 x 3
EJB73ACMXA0A0A	542	742	311	456	656	213	580	520	16	90	400 x 600 x 3
EJB71ACMXA0A0A	542	742	439	456	656	332	580	520	16	111	400 x 600 x 3
EJB93ACMXA0A0B	660	963	305	544	844	193	650	700	16	145	500 x 800 x 3
EJB91ACMXA0A0B	660	963	472	544	844	347	650	700	16	190	500 x 800 x 3

Technical data subject to change without notice.

Window possibilities in cover



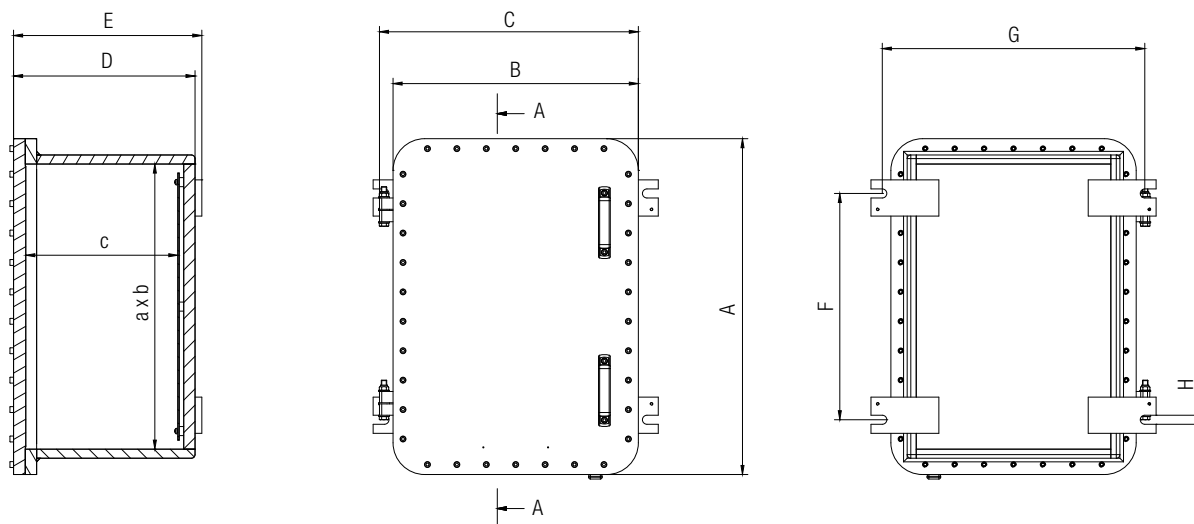
Window simbology

FR1ST up to FR4ST Reduced window
 F1ST up to F9ST Standard window
 F8 and F9 Standard window with fixing frame
 It's possible to have other kind of window sizes (not standard) when keeping maximum size as above as restriction

Selection chart

Dimensions (mm)													
Window code	EJB11	EJB12	EJB21	EJB22	EJB23	EJB30	EJB31	EJB51	EJB61/63	EJB71/73	EJB91/93	A	B
FR1ST	√	√	√	√	√	√	√	√	√	√	√	48	48
FR2ST			√	√	√	√	√	√	√	√	√	48	96
FR3ST			√	√	√	√	√	√	√			48	150
FR4ST					√	√	√	√	√			48	200
F1ST	√		√	√	√	√	√	√	√	√	√	60	60
F2ST			√	√	√	√	√	√	√	√	√	75	75
F3ST			√	√	√	√	√	√	√	√	√	75	110
F4ST			√	√	√	√	√	√	√			75	150
F5ST						√	√	√	√			150	150
F6ST								√	√			75	300
F7ST								√	√			150	300
F8									√			300	300
F9									√			300	450

Overall dimensions and weights stainless steel EJBX

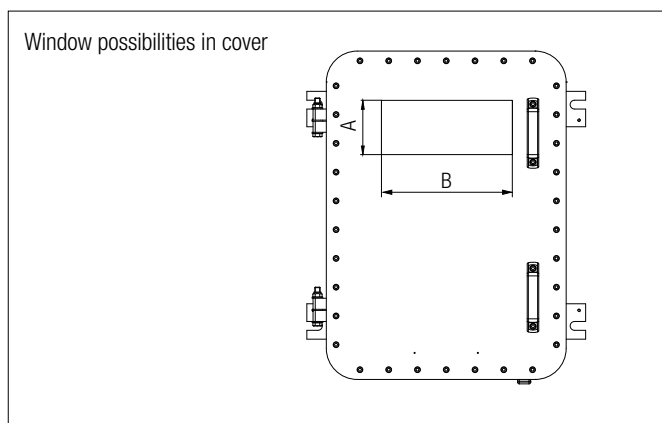


Technical data subject to change without notice.

Selection chart

Name	Dimensions (mm)										Mountingplate mm
	B	A	C	b	a	c	G	D	H	Kg	
EJB11X	175	175	132	115	115	91	78	173	13	14	100 x 100 x 2
EJB21X	245	285	179	180	220	127	245	160	13	32	140 x 180 x 2
EJB22X	200	300	234	135	235	175	188	195	13	34	120 x 220 x 2
EJB23X	260	310	207	200	250	152	240	195	13	38	170 x 210 x 2
EJB30X	315	415	178	251	351	114	295	294	13	52	220 x 320 x 2
EJB31X	315	415	259	251	351	195	295	294	13	64	220 x 320 x 2
EJB51X	366	566	269	300	500	207	336	360	13	95	260 x 460 x 3
EJB63X	470	670	245	400	600	307	440	500	13	127	340 x 540 x 3
EJB61X	470	670	372	400	600	180	440	500	13	155	340 x 540 x 3
EJB73X	542	742	308	456	656	210	580	520	16	200	400 x 600 x 3
EJB71X	542	742	429	456	656	335	580	520	16	280	400 x 600 x 3
EJB93X	660	960	305	544	844	200	650	700	16	573	500 x 800 x 3
EJB91X	660	960	462	544	844	360	650	700	16	618	500 x 800 x 3

2



Window simbology

FR1ST up to FR4ST Reduced window
 F1ST up to F9ST Standard window
 F8 and F9 Standard window with fixing frame
 It's possible to have other kind of window sizes (not standard) when keeping maximum size as above as restriction

Selection chart

Dimensions (mm) Window code	EJB11X	EJB21X	EJB22X	EJB23X	EJB30X	EJB31X	EJB51X	EJB61X	EJB63X	EJB71/73X	EJB91/93X	A	B
	FR1ST	√	√	√	√	√	√	√	√	√			
FR2ST		√	√	√	√	√	√	√	√			48	96
FR3ST		√	√	√	√	√	√	√	√	√	√	48	150
FR4ST		√	√	√	√	√	√					48	200
F1ST	√	√	√	√	√	√	√					60	60
F2ST	√	√	√	√	√	√	√					75	75
F3ST	√	√	√	√	√	√	√	√	√			75	110
F4ST		√	√	√	√	√	√	√	√			75	150
F5ST				√	√	√	√	√	√			150	150
F6ST							√	√	√			75	300
F7ST									√			150	300
F8								√	√			300	300
F9								√	√			300	450