



The Protecta is a proven and reliable T8 fluorescent luminaire. The Protecta's rugged, corrosion resistant construction (IP66/IP67) combined with an advanced high frequency ballast ensure minimum product maintenance is required.

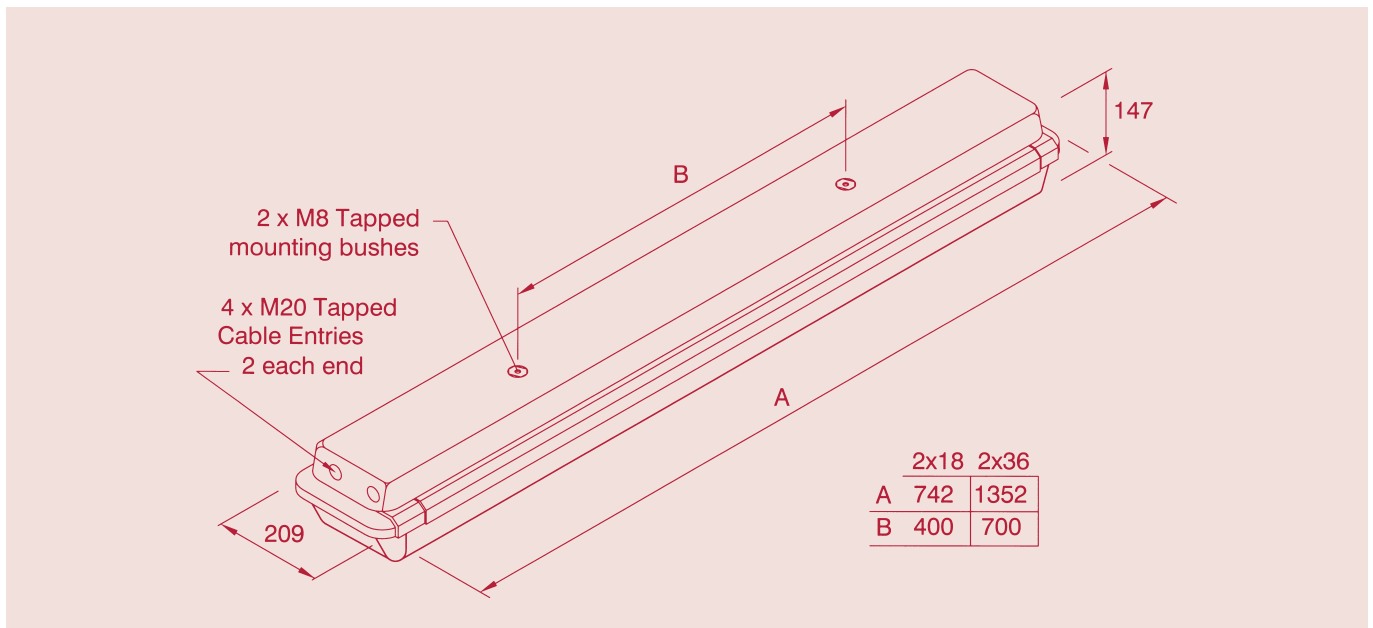
When access is required the Protecta Industrial features an easy access clamp bar and automatic lamp de-energisation to allow quick and easy re-lamping.

Standard Specification		Features
Ingress Protection	IP66/67 to EN60529	Simple rugged construction
Enclosure	GRP body with clear polycarbonate diffuser and brass suspension points	Full length easy access diffuser clamp
		Hinged cover
Entries	4 x M20 cable entries (2 each end)	Standard fixing centres
Termination	Quick release mains terminals - 3 core 4mm ² max. conductor with looping and 16A rating through wiring. (6mm ² terminations available - /SC option)	When fitted high frequency control gear gives 50/60Hz operation, high power factor correction and regulation of lamp output
		Quick release mains terminals
Reflector/Gear-tray	White polyester painted zinc coated steel	DTS-01 deluge tested
Mounting	Two M8 brass inserts on rear of body	Vibration tested to comply with Lloyds/DNV
Control Gear	High Frequency electronic control gear	A copper and iron version is also available. To order substitute /HF with /ES and specify the voltage
Relamping	Via quick-release diffuser clamp and hinged diffuser	
Electrical Supply	110-254V 50/60Hz	

Std. Cat No.	Wattage	Lamp Type	Lampholder	Ambient°C	Weight
PRGI/118/BI/HF	1x18W	T8 Fluorescent	G13	-20 to +50	6.0kg
PRGI/218/BI/HF	2x18W	T8 Fluorescent	G13	-20 to +50	6.1kg
PRGI/136/BI/HF	1x36W	T8 Fluorescent	G13	-20 to +50	9.6kg
PRGI/236/BI/HF	2x36W	T8 Fluorescent	G13	-20 to +50	9.8kg

Options – Suffix to Catalogue No.

/---	Specific voltage - Copper/iron ballasts: 120, 220, 230, 254V	/3P	3 phase termination facility (not available if looping is required)
/ES	Electronic start (copper/iron ballast only)	/M25	M25 cable entry
/60	60Hz supply (copper/iron ballasts only)	/SC	Screwed connection terminal block (up to 6mm ² conductors)
/EL	Extra live termination (compatible with 4 core switched emergency models)	/SB	Stainless steel mounting bush
/MF	Mains fuse	/SE	Spigot entry



Accessories Should be ordered separately

Catalogue Order Code

Pole mounting bracket assembly (38-42mm diameter poles)	SPOL4-100001
Pole mounting bracket assembly (48-52mm diameter poles)	SPOL4-100002
Pole mounting bracket assembly (58-62mm diameter poles)	SPOL4-100003
Hook type ceiling bracket assembly	SPRO4-0005
Ceiling bracket assembly	SPRO4-0002
Flush mounting wall bracket assembly	SPRO4-0006
Eyebolt mounting assembly	SPRO5-0005
Looping Kit (allows looping from both ends of luminaire)	SPROT-0021
18W wall mounting outreach bracket (use with SPOL4-100001)	NPRO4-0008
36W wall mounting outreach bracket (use with SPOL4-100001)	NPRO4-0012

Product design and specifications are subject to change without notice, please check the Chalmit® website for latest specifications.

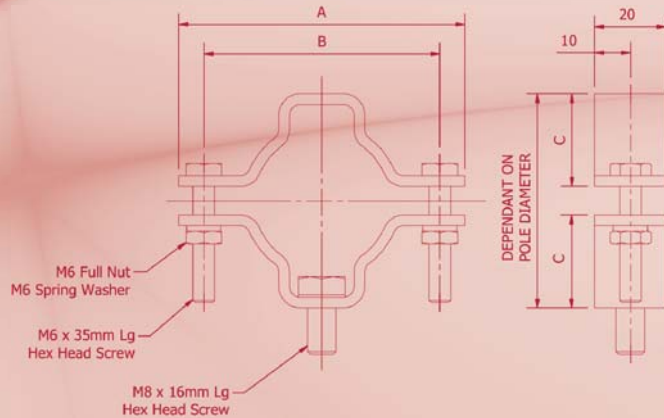


Pole Mounting Bracket Assembly

Cat No. SPOL4-100001/100002/100003



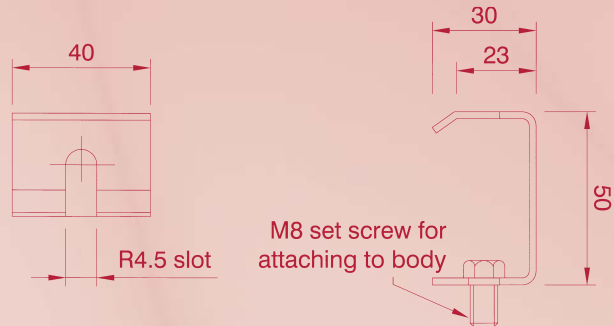
Pole mounting bracket to suit pole diameter
 (38-42mm) SPOL4-100001
 (48-52mm) SPOL4-100002
 (58-62mm) SPOL4-100003



PART DETAILS				
Part Code	Part Description	A	B	C
SPOL4-100001	PROTECTA 38-42 P/M ASSY	80mm	66mm	26mm
SPOL4-100002	PROTECTA 48-52 P/M ASSY	90mm	76mm	32mm
SPOL4-100003	PROTECTA 58-62 P/M ASSY	96mm	80mm	38mm

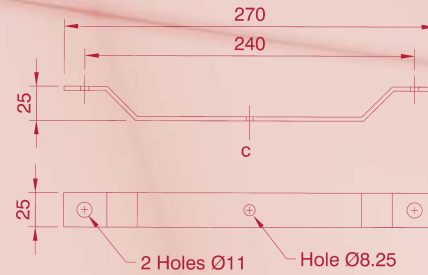
Hook Type Ceiling Bracket Assembly

Cat No. SPRO4-0005



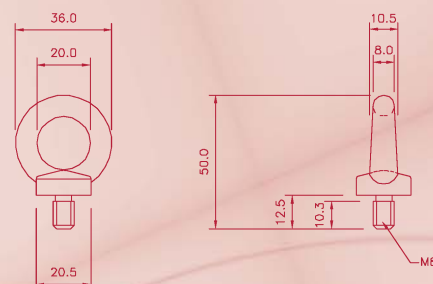
Ceiling Mounting Bracket Assembly

Cat No. SPRO4-0002



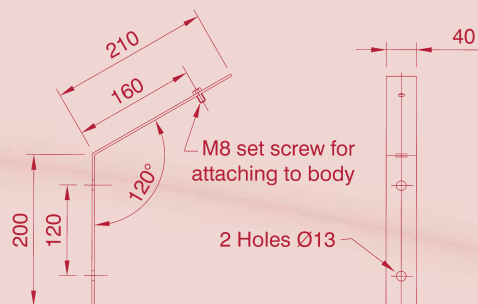
Eyelet Mounting Assembly

Cat No. SPRO5-0005



Flush Mounting Wall Bracket Assembly

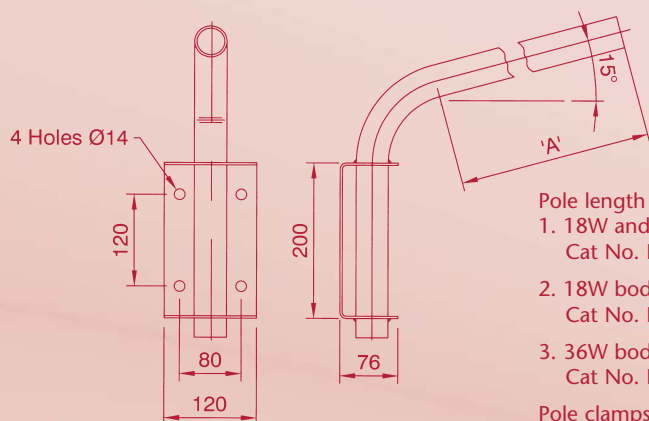
Cat No. SPRO4-0006



Note: All brackets are made from 316 Stainless Steel

Wall Mounting Outreach Bracket

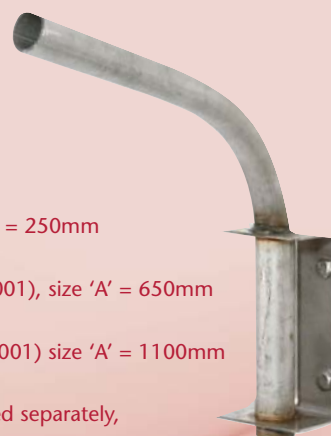
Cat No. NPRO4-0007/0008/0012



Pole length 'A' for use with the following:

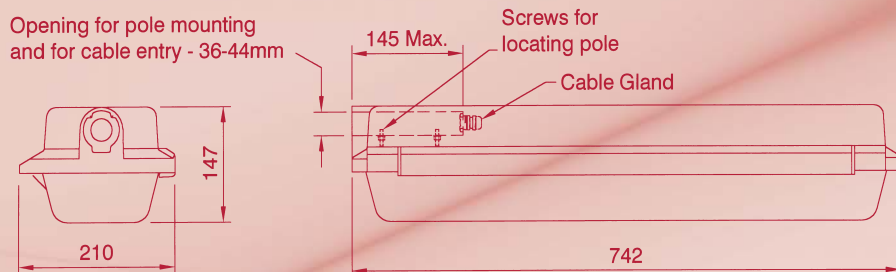
1. 18W and 36W spigot entry body, size 'A' = 250mm
Cat No. NPRO4-0007
2. 18W body c/w pole clamps (SPOL4-100001), size 'A' = 650mm
Cat No. NPRO4-0008
3. 36W body c/w pole clamps, (SPOL4-100001) size 'A' = 1100mm
Cat No. NPRO4-0012

Pole clamps for items 2 & 3 must be ordered separately, see SPOL4-100001



18W Spigot Entry

Cat No. PRGE/218/B/SE



36W Spigot Entry

Cat No. PRGE/236/B/SE

