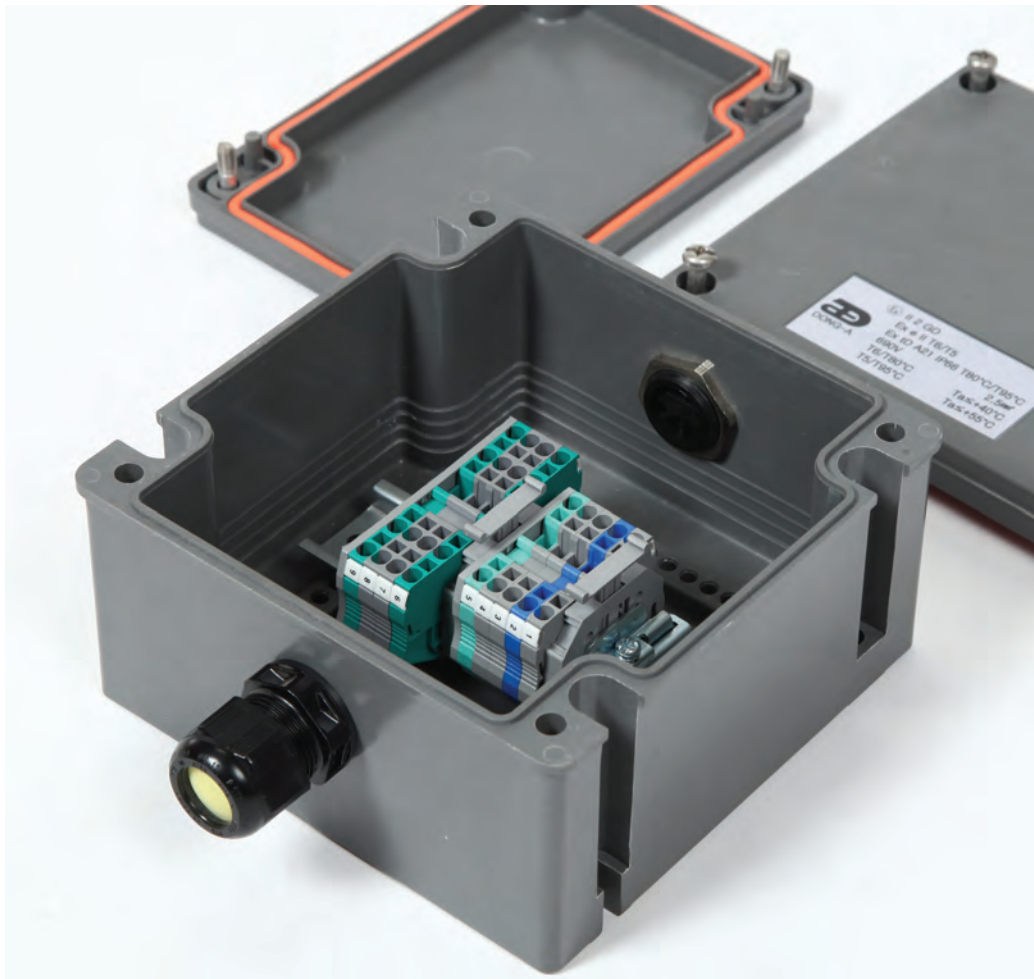


JUNCTION BOX (GRP)

GLASS REINFORCED POLYESTER ENCLOSURES

Application for indoor and outdoor, industrial and hazardous area.



CERTIFICATIONS :

ATEX



- Ex II 2 G Ex e IIC T6/T5 Gb
- Ex II 2 G Ex ia IIC T6/T5 Ga
- Ex II 2 D Ex tb IIC T85°C / T100°C Db

IECEX



- Ex e IIC T6/T5 Gb
- Ex ia IIC T6/T5 Ga
- Ex tb IIC T85°C / T100°C Db



Material	: GRP(Glass Reinforced Polyester) Flame Retardant LSOH (Low Smoke Zero Halogen)
Weatherproofing	: Neoprene or Silicone Gasket
Finish	: High Class Dark Gray
Temperature Rating	: -60°C ~ +80°C
Zone of use	: Zone 1, Zone 2, Zone 21 and Zone 22.
Certification Label	: Self adhesive foil for external or internal use.
Rated voltage max.	1100V AC/DC, depending on terminal used.

JUNCTION BOX (GRP)

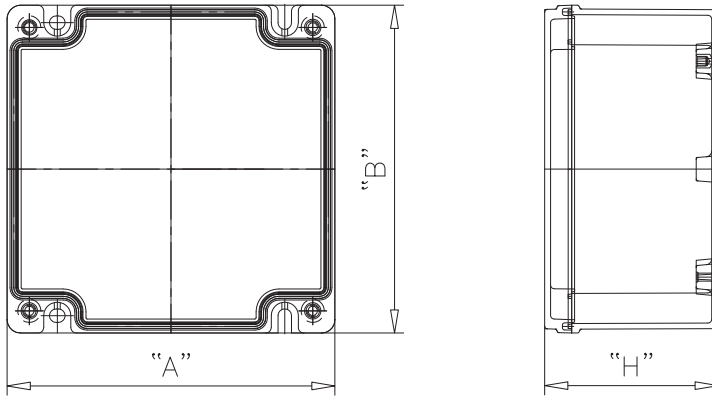
● Technical Data

Explosion Protection

- CENELEC
- IEC
- Zone 1, Zone 2, Zone 21 and Zone 22.
- ATEX & IECEX Class 1, Division 2
- II 2 G Ex 'e' & Ex 'ia' II T6
- II 2 D IP66 T80 °C, T100 °C



Application for indoor and outdoor, industrial and Hazardous area.
 Rated voltage max. 1100V AC/DC, depending on terminal used.
 Temperature Rating : -60°C ~ +80°C
 Gasket : Neoprene or Silicone
 Material : Glass Fibre-Reinforced Polyester Resin
 Fitting Terminals and Cable Entry Mounting Hole shall be ordered.



HAZARDOUS AREA CABLE GLAND

PART NO	Dimensions (mm)		
	A	B	H
DJBG-80A	80	80	55
DJBG-80B	110	80	55
DJBG-80C	160	80	55
DJBG-80D	190	80	55
DJBG-80E	230	80	55

DJBG-112.5A	112.5	112.5	90
DJBG-112.5B	170	112.5	90

DJBG-160A-1	160	160	90
DJBG-160A-2	160	160	131
DJBG-160B-1	260	160	90
DJBG-160B-2	260	160	131

DJBG-200A-1	200	200	90
DJBG-200A-2	200	200	131

PART NO	Dimensions (mm)		
	A	B	H
DJBG-250A-1	250	250	90
DJBG-250A-2	250	250	131

DJBG-160C-1	360	160	90
DJBG-160C-2	360	160	131
DJBG-160D-1	560	160	90
DJBG-160D-2	560	160	131

DJBG-250B-1	400	250	90
DJBG-250B-2	400	250	131
DJBG-250C-1	600	250	90
DJBG-250C-2	600	250	131

DJBG-340A-1	340	340	90
DJBG-340B-2	340	340	131

DJBG-400A-1	400	400	120
DJBG-400B-2	400	400	160