

LIGHTING



Product	Installation in Zone						Series	Page	WebCode
	0	1	2	20	21	22			
Compact Emergency Luminaire									
C-LUX Compact Emergency Luminaires							6109	269	6109A
Compact Light Fittings									
C-LUX Compact Light Fittings							6102	266	6102A
Emergency Luminaire for Fluorescent Lamps									
Emergency Luminaire for Fluorescent Lamps EXLUX							6009/5	293	6009A
Emergency Luminaire for Fluorescent Lamps EXLUX							6409/5	295	6409A
Emergency Luminaire for Fluorescent Lamps made of Sheet Steel or Stainless Steel							6018/1	321	6018B
Emergency Luminaire for Fluorescent Lamps made of Sheet Steel or Stainless Steel							6418/1	323	6418A
Emergency Luminaire with LED EXLUX									
Emergency Luminaire with LED EXLUX							6009/4	281	6009D
Emergency Luminaire with LED EXLUX							6409/4	283	6409C
Floodlights									
Floodlight LED made of Stainless Steel or Sheet Steel							6125	350	6125A
Floodlight LED made of Stainless Steel or Sheet Steel							6525	356	6525A
Floodlight made of Cast Aluminium							6121/1	353	6121B
Floodlight made of Sheet Steel or Stainless Steel, nR							6521/4	359	6521B
Hand Lamps for Mains Connection									
Inspection Light LED							6149	363	6149B
Hand Lamps with Batteries									
Hand Lamp LED							6141/61	371	6141B
Hand Lamp LED							6141/62	373	6141C

Product	Installation in Zone						Series	Page	WebCode
	0	1	2	20	21	22			
Linear Luminaire for Fluorescent Lamps									
Linear Luminaire for Fluorescent Lamps EXLUX		•	•		•	•	6001	287	6001A
Linear Luminaire for Fluorescent Lamps EXLUX			•		•	•	6401	290	6401A
Linear Luminaire for Fluorescent Lamps made of Sheet Steel or Stainless Steel		•	•		•	•	6012/1	309	6012A
Linear Luminaire for Fluorescent Lamps made of Sheet Steel or Stainless Steel		•	•		•	•	6014/1	314	6014B
Linear Luminaire for Fluorescent Lamps made of Sheet Steel or Stainless Steel			•		•	•	6412/1	311	6412B
Linear Luminaire for Fluorescent Lamps made of Sheet Steel or Stainless Steel			•		•	•	6414/1	316	6414B
Linear Luminaire with LED									
Linear Luminaire with LED EXLUX		•	•		•	•	6002/4	274	6002D
Linear Luminaire with LED EXLUX			•		•	•	6402/4	277	6402C
Linear Luminaire with LED EXLUX							L402/4	279	L402A
Linear Luminaire with LED made of Sheet Steel or Stainless Steel		•	•		•	•	6012/5	301	6012C
Linear Luminaire with LED made of Sheet Steel or Stainless Steel			•		•	•	6412/5	303	6412C
Pendant Light Fittings									
Pendant Light Fitting		•	•		•	•	6050/1, 6050/3	338	6050A
Pendant Light Fitting IEC			•		•	•	6470/2	345	6470C
Pendant Light Fitting LED			•		•	•	6470/5	342	6470B
Universal Spotlight LED		•	•		•	•	6050/6	333	6050C
Portable Lamps									
Portable Lamps LED		•	•		•	•	6148	366	6148A
Portable Lamps LED Industrial Design							L148	368	L148A
Tubular Light Fittings									
Tubular Light Fitting with LED		•	•		•	•	6036	328	6036A
Accessories and Spare Parts									
Compact Light Fittings with LED C-LUX Series 6102, 6109 Accessories and Spare Part								271	
Emergency Luminaire for Fluorescent Lamps Series 6018/1, 6418/1 made of Sheet Steel or Stainless Steel Accessories and Spare Parts								325	
Floodlight Series 6521/4 Accessories and Spare Parts								362	
Linear Luminaire for Fluorescent Lamps EXLUX Series 6001, 6002, 6009, 6401, 6402, L402, 6409 Accessories and Spare Parts								298	
Linear Luminaire for Fluorescent Lamps Series 6012, 6014, 6412, 6414 Accessories and Spare Parts								319	
Pendant Light Fitting Series 6050/1, 6050/3, 6050/6 Accessories and Spare Parts								341	
Portable Lamps LED Series 6148 / L148 Accessories and Spare Parts								369	
Dimensional Drawings									
Compact Light Fittings with LED C-LUX Series 6102, 6109 Dimensional Drawings								272	
Emergency Luminaire for Fluorescent Lamps EXLUX Series 6009, 6409 Dimensional Drawings								286	
Emergency Luminaire for Fluorescent Lamps Series 6018/1, 6418/1 made of Sheet Steel or Stainless Steel Dimensional Drawings								326	
Floodlight Series 6521/4 Dimensional Drawings								360	
Linear Luminaire for Fluorescent Lamps EXLUX Series 6001, 6002, 6009, 6401, 6402, L402, 6409 Mounting and Accessories								300	
Linear Luminaire for Fluorescent Lamps Series 6012/1, 6412/1 made of Sheet Steel or Stainless Steel Dimensional Drawings								313	
Linear Luminaire for Fluorescent Lamps Series 6014/1, 6414/1 made of Sheet Steel or Stainless Steel Dimensional Drawings								318	
Linear Luminaire with LED EXLUX Series 6402, L402, Dimensional Drawings								280	
Linear Luminaire with LED Series 6012/5, 6412/5 made of Sheet Steel or Stainless Steel Dimensional Drawings								305	

E2

For additional products and information please refer to r-stahl.com



- Suitable for wall, ceiling and suspended mounting
- Available with DALI or ILS technology
- Emergency exit signs with suspended panel so that they can be read from both sides
- Large recognition distance $d \geq 30$ m
- Lightweight, robust and compact design

WebCode **6102A**



C-LUX 6102 series compact light fittings can be used for normal lighting or as emergency luminaires in conjunction with escape route signs and/or with ILS for programmable use in central battery systems.

	ATEX / IECEx					
Zone	0	1	2	20	21	22
Installation in		•	•		•	•

E2

Selection Table								
Lamp	LED							
Figure	Version	Colour temperature	Luminous flux	Control interface	Product Type	Art. No.	PS	Weight kg
	escape downstairs, single-sided	-	-	without	6102/111-0100-150-0111-11-1850-D1	273110	64	3.570
		-	-	DALI	6102/111-0110-170-0111-11-1850-D1	273125	64	3.570
		-	-	internal adress modul	6102/111-0130-150-0111-11-1850-D1	273130	64	3.570
	escape to the left, single-sided	-	-	without	6102/111-0100-150-0111-11-1850-B1	273108	64	3.570
		-	-	DALI	6102/111-0110-170-0111-11-1850-B1	273123	64	3.570
		-	-	internal adress modul	6102/111-0130-150-0111-11-1850-B1	273128	64	3.570
	escape to the left/right, double-sided	-	-	without	6102/111-0100-150-0111-11-1850-A2	273121	64	3.570
		-	-	DALI	6102/111-0110-170-0111-11-1850-A2	273126	64	3.570
		-	-	internal adress modul	6102/111-0130-150-0111-11-1850-A2	273131	64	3.570
	escape to the right, single-sided	-	-	without	6102/111-0100-150-0111-11-1850-A1	273107	64	3.570
		-	-	DALI	6102/111-0110-170-0111-11-1850-A1	273122	64	3.570
		-	-	internal adress modul	6102/111-0130-150-0111-11-1850-A1	273127	64	3.570
	escape upstairs, single-sided	-	-	without	6102/111-0100-150-0111-11-1850-C1	273109	64	3.570
		-	-	DALI	6102/111-0110-170-0111-11-1850-C1	273124	64	3.570
		-	-	internal adress modul	6102/111-0130-150-0111-11-1850-C1	273129	64	3.570

Selection Table								
Lamp		LED						
Figure	Version	Colour temperature	Luminous flux	Control interface	Product Type	Art. No.	PS	Weight kg
	with deflection optics 0-60°	5000 K	490 lm	without	6102/111-0100-150-0111-11-A850-00	273104	64	3.050
		5000 K	490 lm	DALI	6102/111-0110-170-0111-11-A850-00	273105	64	3.050
		5000 K	490 lm	internal address modul	6102/111-0130-150-0111-11-A850-00	273106	64	3.050
	with diffuser 2 x 40°	5000 K	600 lm	without	6102/111-0100-150-0111-11-4850-00	270457	64	3.000
		5000 K	600 lm	DALI	6102/111-0110-170-0111-11-4850-00	270458	64	3.000
		5000 K	600 lm	internal address modul	6102/111-0130-150-0111-11-4850-00	270571	64	3.000
	without diffuser 15°	5000 K	775 lm	without	6102/111-0100-150-0111-11-0850-00	274675	64	2.930
		5000 K	775 lm	DALI	6102/111-0110-170-0111-11-0850-00	274676	64	2.930
		5000 K	775 lm	internal address modul	6102/111-0130-150-0111-11-0850-00	274677	64	2.930

Technical Data			
Variant	Control interface: DALI	Control interface: internal address modul	Control interface: without
Explosion Protection			
IECEX gas explosion protection	Ex db eb ib op is IIC T4 Gb	Ex db eb ib op is IIC T4 Gb	Ex db eb ib op is IIC T4 Gb
IECEX dust explosion protection	Ex tb op is IIIC T100 °C Db	Ex tb op is IIIC T100 °C Db	Ex tb op is IIIC T100 °C Db
ATEX gas explosion protection	Ⓔ II 2 G Ex db eb ib op is IIC T4 Gb	Ⓔ II 2 G Ex db eb ib op is IIC T4 Gb	Ⓔ II 2 G Ex db eb ib op is IIC T4 Gb
ATEX dust explosion protection	Ⓔ II 2 D Ex tb op is IIIC T100 °C Db	Ⓔ II 2 D Ex tb op is IIIC T100 °C Db	Ⓔ II 2 D Ex tb op is IIIC T100 °C Db
Certificates	ATEX (IBE), IECEx (IBE)	ATEX (IBE), IECEx (IBE)	ATEX (IBE), IECEx (IBE)
Electrical Data			
Frequency range	50 – 60 Hz	50 Hz	50 – 60 Hz
Operating voltage AC	100...240 V ± 10%	220...240V±10% (with integrated address module)	100...240 V ± 10%
Operating voltage DC	100...250 V ± 10%	194...250 V (with integrated address module)	100...250 V ± 10%
Ambient Conditions			
Ambient temperature	-40°C ... +50°C Note: Through wiring max. 3x16 A -40°C ... +60°C Note: Through wiring 2 max. 3x10 A	-30°C ... +50°C Note: Through wiring max. 3x16 A -30°C ... +60°C Note: Through wiring 2 max. 3x10 A	-40°C ... +50°C Note: Through wiring max. 3x16 A -40°C ... +60°C Note: Through wiring 2 max. 3x10 A
Mechanical Data			
Degree of protection IP (IEC 60598)	IP66 / IP67	IP66 / IP67	IP66 / IP67
Protection class	I	I	I
Enclosure material	Thermoset	Thermoset	Thermoset
Cover material	polycarbonate	polycarbonate	polycarbonate
Sealing material	Silicone	Silicone	Silicone
Installed terminal strip	PE + N + L1 + L2 + L3 + D1+D2	PE + N- + L+ + L" + N"	PE + N + L1 + L2 + L3
Connection terminals solid max.	6 mm ²	6 mm ²	6 mm ²
Connection terminals finely-stranded max.	4 mm ²	4 mm ²	4 mm ²
Type of connection cable	Finely stranded Solid	Finely stranded Solid	Finely stranded Solid
Impact strength (IK code)	IK08 (IEC 62262)	IK08 (IEC 62262)	IK08 (IEC 62262)
Enclosure colour	Light grey (RAL 7035)	Light grey (RAL 7035)	Light grey (RAL 7035)
Disconnection of the luminaire	No	No	No
Components			
Threaded plate	2x plastic	2x plastic	2x plastic

Technical Data			
Variant	Control interface: DALI	Control interface: internal address modul	Control interface: without
Components			
Ballast	6045/311-841-10 AC/DC DALI	6045/312-842-10 AC/DC int. ADR	6045/311-840-10 AC/DC Standard
Through wiring	Loop in/loop out wiring	Loop in/loop out wiring	Loop in/loop out wiring
Drilled holes	3 x M25	3 x M25	3 x M25
Cable glands	2 x M25 Ø 7 – 17 mm	2 x M25 Ø 7 – 17 mm	2 x M25 Ø 7 – 17 mm
Stopping plug	2 x M25 x 1.5	2 x M25 x 1.5	2 x M25 x 1.5
Stopping plug material	Polyamide, black	Polyamide, black	Polyamide, black
Accessories	Provided	Provided	Provided
Accessories see page 271			
Dimensional drawings see page 272			



- Suitable for wall, ceiling and suspended mounting
- Operating modes: Continuous mode, continuous mode with switchable emergency lighting
- With function and rated operating time test with optional DALI technology
- Large recognition range $d \geq 30$ m
- Emergency exit signs with suspended panel so that they can be read from both sides
- Lightweight, robust and compact design

WebCode **6109A**



C-LUX 6109 series compact emergency luminaires can be used for emergency lighting, as well as for indication or escape route luminaires.

	ATEX / IECEx					
Zone	0	1	2	20	21	22
Installation in		•	•		•	•

Selection Table								
Lamp		LED						
Figure	Version	Colour temperature	Luminous flux	Control interface	Product Type	Art. No.	PS	Weight kg
	escape downstairs, single-sided	-	-	without	6109/111-0101-160-0111-11-1850-D11	273139	64	4.000
		-	-	DALI	6109/111-0111-180-0111-11-1850-D11	273144	64	4.000
	escape to the left, single-sided	-	-	without	6109/111-0101-160-0111-11-1850-B11	273137	64	4.000
		-	-	DALI	6109/111-0111-180-0111-11-1850-B11	273142	64	4.000
	escape to the left/right, double-sided	-	-	without	6109/111-0101-160-0111-11-1850-A21	273140	64	4.000
		-	-	DALI	6109/111-0111-180-0111-11-1850-A21	273145	64	4.000
	escape to the right, single-sided	-	-	without	6109/111-0101-160-0111-11-1850-A11	273136	64	4.000
		-	-	DALI	6109/111-0111-180-0111-11-1850-A11	273141	64	4.000
	escape upstairs, single-sided	-	-	without	6109/111-0101-160-0111-11-1850-C11	273138	64	4.000
		-	-	DALI	6109/111-0111-180-0111-11-1850-C11	273143	64	4.000
	with deflection optics 0-60°	5000 K	490 lm	without	6109/111-0101-160-0111-11-A850-001	273134	64	3.440
		5000 K	490 lm	DALI	6109/111-0111-180-0111-11-A850-001	273135	64	3.440

E2

Selection Table

Lamp		LED						
Figure	Version	Colour temperature	Luminous flux	Control interface	Product Type	Art. No.	PS	Weight kg
	with diffuser 2 x 40°	5000 K	600 lm	without	6109/111-0101-160-0111-11-4850-001	273132	64	3.400
		5000 K	600 lm	DALI	6109/111-0111-180-0111-11-4850-001	273133	64	3.400
	without diffuser 15°	5000 K	775 lm	without	6109/111-0101-160-0111-11-0850-001	274678	64	3.330
		5000 K	775 lm	DALI	6109/111-0111-180-0111-11-0850-001	274680	64	3.330

Technical Data

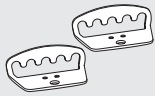
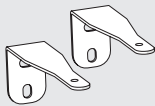
Variant	Control interface: DALI	Control interface: without
Explosion Protection		
IECEx gas explosion protection	Ex db eb ib op is IIC T4 Gb	Ex db eb ib op is IIC T4 Gb
IECEx dust explosion protection	Ex tb op is IIIC T100 °C Db	Ex tb op is IIIC T100 °C Db
ATEX gas explosion protection	⊕ II 2 G Ex db eb ib op is IIC T4 Gb	⊕ II 2 G Ex db eb ib op is IIC T4 Gb
ATEX dust explosion protection	⊕ II 2 D Ex tb op is IIIC T100 °C Db	⊕ II 2 D Ex tb op is IIIC T100 °C Db
Certificates	ATEX (IBE), IECEx (IBE)	ATEX (IBE), IECEx (IBE)
Electrical Data		
Battery version	NiCd battery, gas-tight	NiCd battery, gas-tight
Battery capacity	2.2 Ah	2.2 Ah
Frequency range	50 – 60 Hz	50 – 60 Hz
Operating voltage AC	100...240 V ± 10%	100...240 V ± 10%
Operating voltage AC max.	264 V	264 V
Ambient Conditions		
Ambient temperature	-30°C ... +60°C Note: Through wiring max. 3x16 A -30°C ... +50°C Note: Through wiring 2 max. 3x10 A	-30°C ... +60°C Note: Through wiring max. 3x16 A -30°C ... +50°C Note: Through wiring 2 max. 3x10 A
Lighting Data		
Operating time	1.5 / 3h emergency lighting operation	1.5 / 3h emergency lighting operation
Emergency light output	25 % - 3 h 50 % - 1.5 h	25 % - 3 h 50 % - 1.5 h
Mechanical Data		
Degree of protection IP (IEC 60598)	IP66 / IP67	IP66 / IP67
Protection class	I	I
Enclosure material	Thermoset	Thermoset
Cover material	polycarbonate	polycarbonate
Sealing material	Silicone	Silicone
Installed terminal strip	PE+N+L1+L2+L3+L"+D1+D2	PE + N + L1 + L2 + L3 + L"
Connection terminals solid max.	6 mm²	6 mm²
Connection terminals finely-stranded max.	4 mm²	4 mm²
Type of connection cable	Finely stranded Solid	Finely stranded Solid
Impact strength (IK code)	IK08 (IEC 62262)	IK08 (IEC 62262)
Enclosure colour	Light grey (RAL 7035)	Light grey (RAL 7035)
Disconnection of the luminaire	No	No
Components		
Threaded plate	2x plastic	2x plastic
Ballast	6046/311-841-061 NLE DALI	6046/311-841-060 NLE Standard
Through wiring	Loop in/loop out wiring	Loop in/loop out wiring
Drilled holes	3 x M25	3 x M25
Cable glands	2 x M25 Ø 7 – 17 mm	2 x M25 Ø 7 – 17 mm

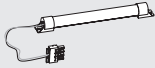








Compact Light Fittings with LED C-LUX

Series 6102, 6109 Accessories and Spare Part

STAHL

Technical Data		
Variant	Control interface: DALI	Control interface: without
Components		
Stopping plug	2 x M25 x 1.5	2 x M25 x 1.5
Stopping plug material	Polyamide, black	Polyamide, black
Accessories	Provided	Provided

Accessories				
Figure	Description	Art. No.	PS	Weight kg
Fastening set				
	for chain/rope assembly	275407	Z3	-
	for wall mounting	275408	Z3	-

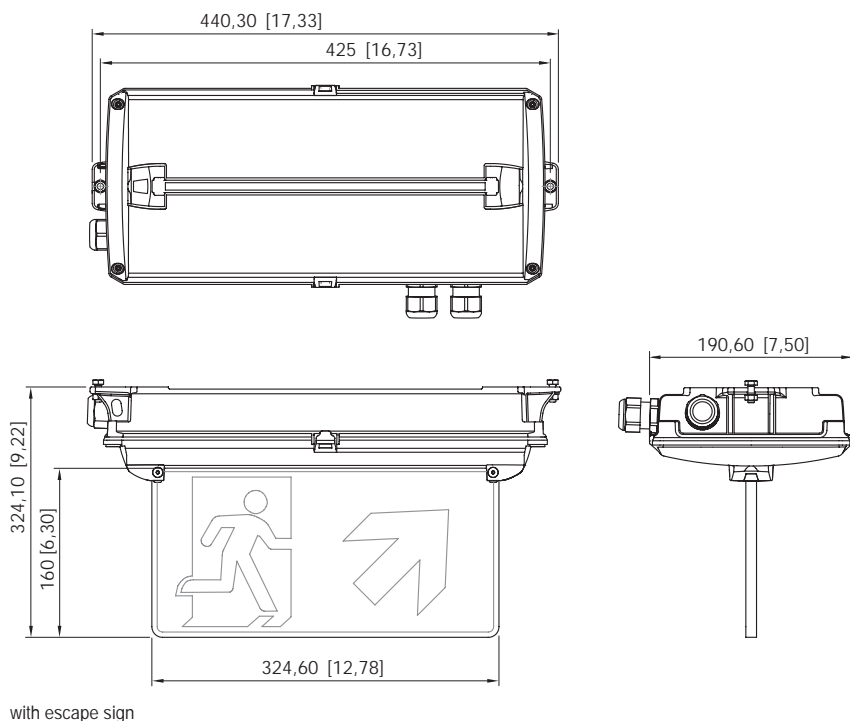
Spare Parts				
Figure	Description	Art. No.	PS	Weight kg
Battery set				
	NiCd battery, gas-tight; 2.2 Ah / 6 V	273190	E3	-
Optic				
	Deflection optics	274781	E3	-
	Diffuser	274756	E3	-
Light Panel				
	Escape route stairs, down left	274777	E3	0.625
	Escape route stairs, down right	274778	E3	0.625
	Escape route, down	274776	E3	0.625
	Escape route stairs, down double-sided	274779	E3	0.625
	Escape route, down double-sided	274780	E3	0.625
	Escape route left/right double-sided	274773	E3	0.625
	Escape route, left	274757	E3	0.625

E2

Spare Parts				
Figure	Description	Art. No.	PS	Weight kg
Light Panel				
	Escape route, right	274775	E3	0.625
	Escape route stairs, up left	274759	E3	0.625
	Escape route stairs, up right	274760	E3	0.625
	Escape route, up	274758	E3	0.625
	Escape route stairs, up double-sided	274771	E3	0.625
	Escape route, up double-sided	274772	E3	0.625

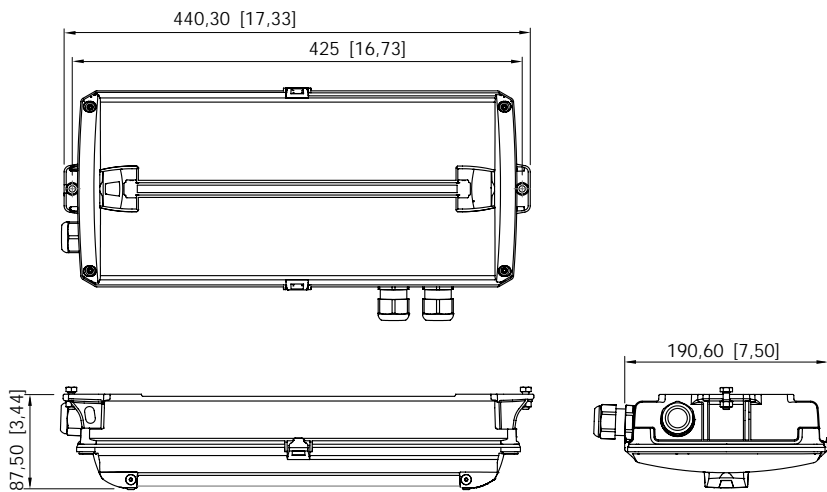
E2

Dimensional Drawings (All Dimensions in mm [inches]) – Subject to Alterations

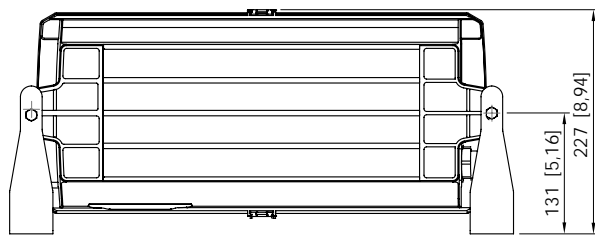
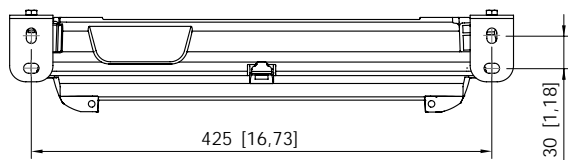


Compact Light Fittings with LED C-LUX

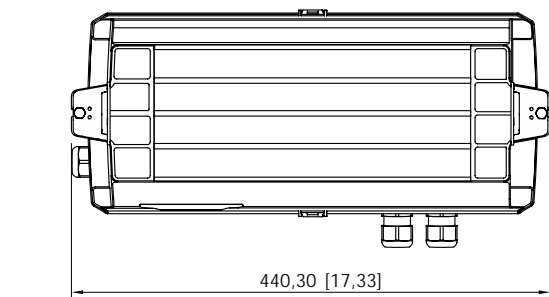
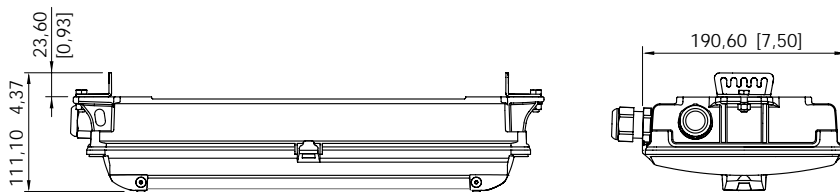
Series 6102, 6109 Dimensional Drawings



without escape sign



with mounting brackets



for rope/chain mounting

E2



- The latest LED technology with a high luminous efficacy and a long service life
- Extremely high luminaire efficacy
- Luminous flux after 100,000 h still 90% of the starting luminous flux
- Optionally with DALI for controlling and monitoring the luminaire
- Optionally addressable for direct actuation of a common battery system

WebCode **6002D**



The linear luminaire with Series 6002/4 LED is ideal for lighting surfaces at a mounting height of up to 10 m. It can also be used to illuminate equipment and objects, both inside and outside. The pole mounting sleeve accessory can be used to easily mount the luminaire on poles. Optionally, the luminaire can be equipped with addressable equipment. It can be used to control and monitor the luminaire for the common battery systems.

Zone	ATEX / IECEx					
	0	1	2	20	21	22
Installation in		•	•		•	•

Selection Table

Design size	2					
Lamp wattage	22 W					
Luminous flux	2910 lm					
Luminaire efficacy	132 lm/W					
Drilled holes	Threaded plate	Cable glands	Stopping plug	Product Type	Art. No.	PS
3 x M20	2x SS430 stainless steel	Can be ordered as accessories	Can be ordered as accessories	6002/4128-0100-152-2220-22-8500	267067 ▲	64
3 x M25	2x plastic	2 x M25 Ø 7 – 17 mm	2 x M25 x 1.5	6002/4128-0100-152-1110-11-8500	267058 ▲	64
		2 x M25 Ø 7 – 17 mm	2 x M25 x 1.5	6002/4128-0110-172-1110-11-8500	272391	64
Design size	4					
Lamp wattage	42 W					
Luminous flux	5810 lm					
Luminaire efficacy	138 lm/W					
Drilled holes	Threaded plate	Cable glands	Stopping plug	Product Type	Art. No.	PS
3 x M20	2x SS430 stainless steel	Can be ordered as accessories	Can be ordered as accessories	6002/4148-0100-152-2220-22-8500	267077	64
3 x M25	2x plastic	2 x M25 Ø 7 – 17 mm	2 x M25 x 1.5	6002/4148-0100-152-1110-11-8500	267074 ▲	64
		2 x M25 Ø 7 – 17 mm	2 x M25 x 1.5	6002/4148-0110-172-1110-11-8500	267087	64

Cable glands and stopping plugs made from moulded material are included loose with the product (installation required). Threaded plate included.

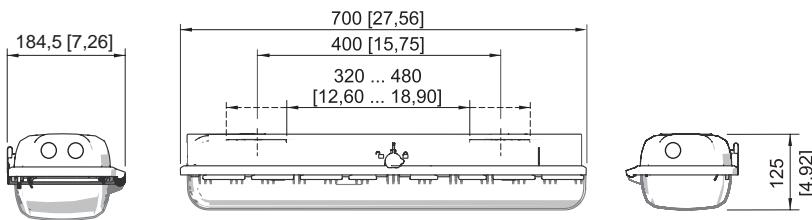
The light fittings are supplied without mounting material.

For mounting material, see page 298.

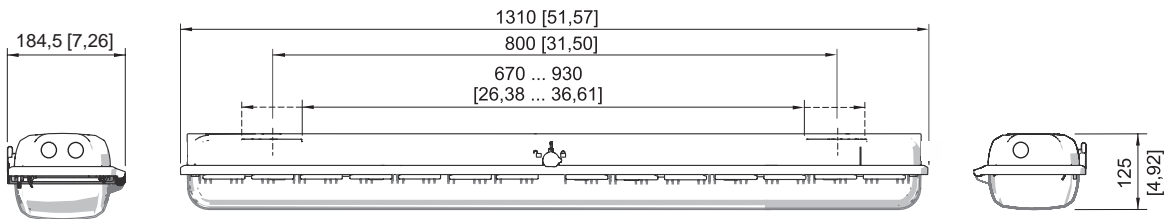
Technical Data	
Explosion Protection	
IECEX gas explosion protection	Ex db eb ib mb op is IIC T4 Gb
IECEX dust explosion protection	Ex tb op is IIIC T100 °C Db
ATEX gas explosion protection	Ⓔ II 2 G Ex db eb ib mb op is IIC T4 Gb
ATEX dust explosion protection	Ⓔ II 2 D Ex tb op is IIIC T100 °C Db
Certificates	ATEX (IBE), IECEx (IBE), India (PESO)
Electrical Data	
Rated operational voltage AC	110 – 240 V
Rated operational voltage DC	110 – 250 V
Frequency range	50 – 60 Hz
Ambient Conditions	
Ambient temperature	-40 °C ... +50 °C Note: Through wiring max. 3x16 A -40 °C ... +60 °C Note: Through wiring 2 max. 3x10 A
Lighting Data	
Number of lamps	1
Lamp	LED
Light colour	Neutral white
Light distribution	120°x120° with diffusing glass
Colour rendering	≥ 80
Colour temperature	5000 K
Mechanical Data	
Impact strength (IK code)	IK10 (IEC 62262)
Degree of protection IP (IEC 60598)	IP66/IP67
Enclosure colour	Light grey (RAL 7035)
Enclosure material	Polyester resin, Glass fibre reinforced
Diffuser	With diffuser
Sealing material	Silicone
Installed terminal strip	PE + N + L1 + L2 + L3
Connection terminals solid max.	6 mm ²
Connection terminals finely-stranded max.	4 mm ²
Type of connection cable	Solid Finely stranded
Notes	Connection terminals: Spring clamp terminal (2 free clamping units per pole)
Components	
Ballast	6045/211-120-10
Through wiring	With 5 conductors 2.5 mm ²
Material cable gland	Polyamide, black
Stopping plug material	Polyamide, black
Accessories and spare parts see page 298	
For dimensional drawings for assembly parts and accessories, see page 300	

E2

Dimensional Drawings (All Dimensions in mm [inches]) – Subject to Alterations



Size 2



Size 4



- State-of-the-art LED technology with high luminous efficacy and long service life
- Extremely high luminaire efficacy
- Luminous flux after 100,000 h still 90% of the starting luminous flux
- Optionally with DALI for controlling and monitoring the luminaire
- Optionally with address modules for directly actuation of a common battery system

WebCode **6402C**



The linear luminaire with Series 6402/4 LED is ideal for lighting surfaces at a mounting height of up to 10 m. It can also be used to illuminate equipment and objects, both inside and outside. The pole mounting sleeve accessory can be used to easily mount the luminaire on poles. Optionally, the luminaire can be equipped with an address module. It can be used to control and monitor the luminaire for the common battery systems.

Zone	ATEX / IECEx					
	0	1	2	20	21	22
Installation in			•		•	•

E2

Selection Table								
Design size							2	
Lamp wattage							22 W	
Luminaire efficacy							132 lm/W	
Luminous flux							2910 lm	
Product variant	Drilled holes	Threaded plate	Screw connections	Stopping plug	Product Type	Art. No.	PS	Weight kg
Interfaces DALI	3 x M25	2x plastic	2 x M25 Ø 7 – 17 mm	2 x M25 x 1.5	6402/4128-6110-172-1110-11-8500	270850	64	3.300
with address module	3 x M25	2x plastic	2 x M25 Ø 7 – 17 mm	2 x M25 x 1.5	6402/4128-6120-152-1110-11-8500	267039	64	3.300
without address module	3 x M25	2x plastic	2 x M25 Ø 7 – 17 mm	2 x M25 x 1.5	6402/4128-6100-152-1110-11-8500	267040 ▲	64	3.200
	3 x M20	2x SS430 stainless steel	Can be ordered as accessories	Can be ordered as accessories	6402/4128-6100-152-2220-22-8500	271908	64	3.300
Design size							4	
Lamp wattage							42 W	
Luminaire efficacy							138 lm/W	
Luminous flux							5810 lm	
Product variant	Drilled holes	Threaded plate	Screw connections	Stopping plug	Product Type	Art. No.	PS	Weight kg
Interfaces DALI	3 x M25	2x plastic	2 x M25 Ø 7 – 17 mm	2 x M25 x 1.5	6402/4148-6110-172-1110-11-8500	271475	64	5.650
with address module	3 x M25	2x plastic	2 x M25 Ø 7 – 17 mm	2 x M25 x 1.5	6402/4148-6120-152-1110-11-8500	267057	64	5.600
without address module	3 x M25	2x plastic	2 x M25 Ø 7 – 17 mm	2 x M25 x 1.5	6402/4148-6100-152-1110-11-8500	267054 ▲	64	5.600
	3 x M20	2x SS430 stainless steel	Can be ordered as accessories	Can be ordered as accessories	6402/4148-6100-152-2220-22-8500	267055	64	5.700

Screw connections and stopping plugs made from moulded material are included loose with the product (installation required).
Threaded plate included.

The light fittings are supplied without mounting material.

For mounting material, see page 298.

Technical Data

Variant	without address module	with address module	Interfaces DALI
Explosion Protection			
IECEX gas explosion protection	Ex ec IIC T4 Gc	Ex ec nC IIC T4 Gc	Ex ec IIC T4 Gc
IECEX dust explosion protection	Ex tb op is / tc IIIC T100 °C Db	Ex tb op is / tc IIIC T100 °C Db	Ex tb op is / tc IIIC T100 °C Db
ATEX gas explosion protection	Ⓜ II 3 G Ex ec IIC T4 Gc	Ⓜ II 3 G Ex ec nC IIC T4 Gc	Ⓜ II 3 G Ex ec IIC T4 Gc
ATEX dust explosion protection	Ⓜ II 2 D Ex tb op is ... tc IIIC T100 °C Db	Ⓜ II 2 D Ex tb op is ... tc IIIC T100 °C Db	Ⓜ II 2 D Ex tb op is ... tc IIIC T100 °C Db
Certificates	ATEX (IBE), IECEX (IBE), India (PESO)	ATEX (IBE), IECEX (IBE), India (PESO)	ATEX (IBE), IECEX (IBE), India (PESO)
Electrical Data			
Rated operational voltage AC	100 – 240 V	220 – 230 V	100 – 240 V
Frequency range	50 – 60 Hz	50 – 60 Hz	50 – 60 Hz
Rated operational voltage DC	110 – 250 V	200 – 250 V	110 – 250 V
Ambient Conditions			
Ambient temperature	-40 °C ... +55 °C (T100 °C) Note: Through wiring max. 3x16 A -40 °C ... +60 °C (T100 °C) Note: Through wiring 2 max. 3x10 A	-30 °C ... +45 °C (T100 °C) Note: Through wiring max. 3x16 A -30 °C ... +50 °C (T100 °C) Note: Through wiring 2 max. 3x10 A	-40 °C ... +55 °C (T100 °C) Note: Through wiring max. 3x16 A -40 °C ... +60 °C (T100 °C) Note: Through wiring 2 max. 3x10 A
Lighting Data			
Number of lamps	1	1	1
Lamp	LED	LED	LED
Light colour	Neutral white	Neutral white	Neutral white
Light distribution	120°x120° with diffusing glass	120°x120° with diffusing glass	120°x120° with diffusing glass
Colour rendering	≥ 80	≥ 80	≥ 80
Colour temperature	5000 K	5000 K	5000 K
Mechanical Data			
Degree of protection IP (IEC 60598)	IP66/IP67	IP66/IP67	IP66/IP67
Enclosure material	Polyester resin, Glass fibre reinforced	Polyester resin, Glass fibre reinforced	Polyester resin, Glass fibre reinforced
Diffuser	With diffuser	With diffuser	With diffuser
Sealing material	Silicone	Silicone	Silicone
Installed terminal strip	PE + N + L1 + L2 + L3	PE + N + L + N + L	PE + N + L1 + L2 + L3 + D1+D2
Connection terminals solid max.	6 mm ²	6 mm ²	6 mm ²
Connection terminals finely-stranded max.	4 mm ²	4 mm ²	4 mm ²
Type of connection cable	Finely stranded Solid	Finely stranded Solid	Finely stranded Solid
Impact strength (IK code)	IK10 (IEC 62262)	IK10 (IEC 62262)	IK10 (IEC 62262)
Enclosure colour	Light grey (RAL 7035)	Light grey (RAL 7035)	Light grey (RAL 7035)
Notes	Connection terminals: Spring clamp terminal (2 free clamping units per pole)		
Components			
Address module	UNI Modul ADR 20-ILS-Z2		
Ballast	VG Luxtronic 80 W 300 mA	VG Luxtronic 80 W 300 mA	VG Luxtronic 80 W 300 mA
Through wiring	With 5 conductors 2.5 mm ²	With 5 conductors 2.5 mm ²	With 7 conductors 2.5 mm ²
Material cable gland	Polyamide, black	Polyamide, black	Polyamide, black
Stopping plug material	Polyamide, black	Polyamide, black	Polyamide, black

Accessories and spare parts see page 298

Dimensional drawings see page 280
Dimensional drawings for assembly parts and accessories see page 300



- Highly resistant industrial design
- Linear luminaire with long-life, efficient LED technology (up to 138 lm/W)
- Lightweight yet extremely robust, with an impact strength rating of IK10

WebCode L402A

The EXLUX L402/4 luminaire is designed for industrial use and can be fitted to the ceiling, a pole, or alternatively, it can be suspended. A bright light for not much energy is what you get with this efficient LED technology, which offers the added benefit of increased service life – this can be as much as 100,000 hours. The plastic enclosure is easily to open by a central lock.

Selection Table

Design size		2					
Lamp wattage		22 W					
Luminaire efficacy		132 lm/W					
Luminous flux		2910 lm					
Drilled holes	Threaded plate	Cable glands	Stopping plug	Product Type	Art. No.	PS	Weight kg
3 x M20	2x SS430 stainless steel	Can be ordered as accessories	Can be ordered as accessories	L402/4328-6100-152-2220-22-8500	271367	64	3.300
3 x M25	2x plastic	2 x M25 Ø 7 – 17 mm	2 x M25 x 1.5	L402/4328-6100-152-1110-11-8500	271366	64	3.200
Design size		4					
Lamp wattage		42 W					
Luminaire efficacy		138 lm/W					
Luminous flux		5810 lm					
Drilled holes	Threaded plate	Cable glands	Stopping plug	Product Type	Art. No.	PS	Weight kg
3 x M20	2x SS430 stainless steel	Can be ordered as accessories	Can be ordered as accessories	L402/4348-6100-152-2220-22-8500	271365	64	5.700
3 x M25	2x plastic	2 x M25 Ø 7 – 17 mm	2 x M25 x 1.5	L402/4348-6100-152-1110-11-8500	271364	64	5.600

Cable glands and stopping plugs made from moulded material are included loose with the product (installation required). Threaded plate included.

The light fittings are supplied without mounting material.

For mounting material, see page 298.

Technical Data

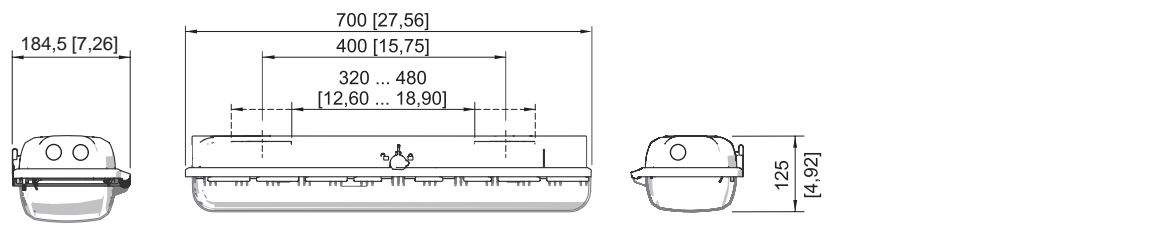
Electrical Data	
Rated operational voltage AC	220 – 240 V
Rated operational voltage DC	200 – 250 V
Ambient Conditions	
Ambient temperature	-40 °C ... +55 °C Note: Through wiring max. 3x16 A -40 °C ... +60 °C Note: Through wiring 2 max. 3x10 A
Lighting Data	
Lamp	LED
Light colour	Neutral white

E2

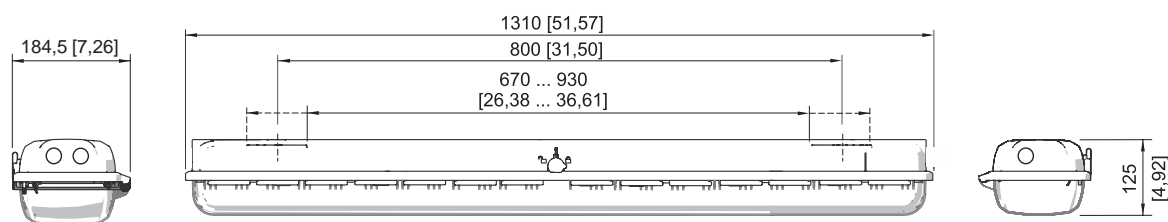
Technical Data	
Lighting Data	
Light distribution	120°x120° with diffusing glass
Colour rendering	≥ 80
Colour temperature	5000 K
Mechanical Data	
Degree of protection IP (IEC 60598)	IP66/IP67
Protection class	I (with inner PE connection)
Enclosure material	Polyester resin, Glass fibre reinforced
Diffuser	With diffuser
Sealing material	Silicone
Material translucent cover	Polycarbonate
Installed terminal strip	PE + N + L1 + L2 + L3
Connection terminals solid max.	6 mm ²
Type of connection cable	Finely stranded Solid
Impact strength (IK code)	IK10 (IEC 62262)
Enclosure colour	Light grey (RAL 7035)
Notes	Connection terminals: Spring clamp terminal (2 free clamping units per pole available)
Components	
Ballast	VG Luxtronic 80 W 300 mA
Through wiring	With 5 conductors 2.5 mm ²
Accessories and spare parts see page 298	
For dimensional drawings for assembly parts and accessories, see 300	

E2

Dimensional Drawings (All Dimensions in mm [inches]) – Subject to Alterations



Size 2



Size 4



- The latest LED technology with a high luminous efficacy and a long service life
- Extremely high luminaire efficacy
- Can be adjusted from a 1.5 to a 3.0 h rated operating time
- Luminous flux after 100,000 h still 90% of the starting luminous flux
- Optionally with DALI for controlling and monitoring the luminaire
- Weekly functional test and annual rated operating time test

WebCode **6009D**



The emergency luminaire with Series 6009/4 LED with integrated battery can be installed in stand-by switching, continuous mode or in switchable stand-by switching. A weekly functional test and annual rated operating time test are performed automatically. The results are indicated by an LED.

	ATEX / IECEx					
Zone	0	1	2	20	21	22
Installation in		•	•		•	•

Selection Table							
Design size	2						
Lamp wattage	25 W						
Luminaire efficacy	116 lm/W						
Luminous flux	2910 lm						
Drilled holes	Threaded plate	Cable glands	Stopping plug	Product Type	Art. No.	PS	
3 x M20	2x SS430 stainless steel	Can be ordered as accessories	Can be ordered as accessories	6009/4128-2103-162-2220-22-850011	267868	64	
3 x M25	2x plastic	2 x M25 Ø 7 – 17 mm	2 x M25 x 1.5	6009/4128-2103-162-1110-11-850011	267867	64	
Design size	4						
Lamp wattage	45 W						
Luminaire efficacy	129 lm/W						
Luminous flux	5810 lm						
Drilled holes	Threaded plate	Cable glands	Stopping plug	Product Type	Art. No.	PS	
3 x M20	2x SS430 stainless steel	Can be ordered as accessories	Can be ordered as accessories	6009/4148-2103-162-2220-22-850011	267875	64	
3 x M25	2x plastic	2 x M25 Ø 7 – 17 mm	2 x M25 x 1.5	6009/4148-2103-162-1110-11-850011	267872	64	

Cable glands and stopping plugs made from moulded material are included loose with the product (installation required). Threaded plate included.

The light fittings are supplied without mounting material.

For mounting material, see page 298.

Technical Data	
Explosion Protection	
IECEx gas explosion protection	Ex db eb ib mb op is IIC T4 Gb
IECEx dust explosion protection	Ex tb op is IIIC T100 °C Db
ATEX gas explosion protection	⊕ II 2 G Ex db eb ib mb op is IIC T4 Gb

E2

Technical Data

Explosion Protection

ATEX dust explosion protection II 2 D Ex tb op is IIIC T100 °C Db

Certificates ATEX (IBE), IECEx (IBE)

Electrical Data

Rated operational voltage AC 110 – 240 V

Battery operating voltage 6 V

Battery capacity 7 Ah

Frequency range 50 – 60 Hz

Battery version NiCd battery, gas-tight

Ambient Conditions

Ambient temperature -30 °C ... +50 °C Note: Through wiring max. 3x16 A
-30 °C ... +55 °C Note: Through wiring 2 max. 3x10 A

Lighting Data

Number of lamps 1

Lamp LED

Light colour Neutral white

Light distribution 120°x120° with diffusing glass

Operating time 1.5 / 3h emergency lighting operation

Colour rendering ≥ 80

Colour temperature 5000 K

Mechanical Data

Enclosure material Polyester resin, Glass fibre reinforced

Diffuser With diffuser

Sealing material Silicone

Installed terminal strip PE + N + L1 + L2 + L3 + L´

Connection terminals solid max. 6 mm²

Connection terminals finely-stranded max. 4 mm²

Type of connection cable Finely stranded
Solid

Impact strength (IK code) IK10 (IEC 62262)

Enclosure colour Light grey (RAL 7035)

Notes Connection terminals: Spring clamp terminal (2 free clamping units per pole)

Components

Ballast 6046/211-121-010 LED NLE 7Ah

Through wiring With 6 conductors 2.5 mm²

Material cable gland Polyamide, black

Stopping plug material Polyamide, black

Accessories see page 298

Dimensional drawing see page 286

Dimensional drawings for assembly parts and accessories see page 300

Emergency Luminaire with LED EXLUX

Series 6409/4

STAHL



- State-of-the-art LED technology with high luminous efficacy and long service life
- Extremely high luminaire efficacy
- Choice between a 1.5 h or 3.0 h rated operating time
- Luminous flux after 100,000 h still 90% of the starting luminous flux
- Optionally with DALI for controlling and monitoring the luminaire
- Weekly function test and annual rated operating time test

WebCode **6409C**



The emergency luminaire with Series 6409/4 LED with integrated battery can be installed in stand-by switching, continuous mode or in switchable stand-by switching. A weekly functional test and annual rated operating time test are performed automatically. The results are indicated by an LED.

	ATEX / IECEx					
Zone	0	1	2	20	21	22
Installation in			•		•	•

Selection Table

Design size	2								
Lamp wattage	25 W								
Luminaire efficacy	116 lm/W								
Luminous flux	2910 lm								
Operating time	Ballast	Threaded plate	Drilled holes	Cable glands	Stopping plug	Product Type	Art. No.	PS	Weight kg
1.5 h emergency lighting operation	LED NLE 80 W 110-240 V/7 Ah/1.5 h/	2x plastic	3 x M25	2 x M25 Ø 7 - 17 mm	2 x M25 x 1.5	6409/4128-5103-162-1110-11-850011	267859	64	5.400
		2x SS430 stainless steel	3 x M20	Can be ordered as accessories	Can be ordered as accessories	6409/4128-5103-162-2220-22-850011	271825	64	5.450
3 h emergency lighting operation	LED NLE 80 W 110-240 V/7 Ah/3 h/	2x plastic	3 x M25	2 x M25 Ø 7 - 17 mm	2 x M25 x 1.5	6409/4128-5203-162-1110-11-850011	267860	64	5.400
		2x SS430 stainless steel	3 x M20	Can be ordered as accessories	Can be ordered as accessories	6409/4128-5203-162-2220-22-850011	272458	64	5.400
Design size	4								
Lamp wattage	45 W								
Luminaire efficacy	129 lm/W								
Luminous flux	5810 lm								
Operating time	Ballast	Threaded plate	Drilled holes	Cable glands	Stopping plug	Product Type	Art. No.	PS	Weight kg
1.5 h emergency lighting operation	LED NLE 80 W 110-240 V/7 Ah/1.5 h/	2x plastic	3 x M25	2 x M25 Ø 7 - 17 mm	2 x M25 x 1.5	6409/4148-5103-162-1110-11-850011	267861	64	8.100
		2x SS430 stainless steel	3 x M20	Without	-	6409/4148-5103-162-2220-22-850011	271585	64	8.100

E2

Selection Table

Design size	4								
Lamp wattage	45 W								
Luminaire efficacy	129 lm/W								
Luminous flux	5810 lm								
Operating time	Ballast	Threaded plate	Drilled holes	Cable glands	Stopping plug	Product Type	Art. No.	PS	Weight kg
3 h emergency lighting operation	LED NLE 80 W 110-240 V/7 Ah/3 h/	2x plastic	3 x M25	2 x M25 Ø 7 - 17 mm	2 x M25 x 1.5	6409/4148-5203-162-1110-11-850011	267862	64	8.100
		2x SS430 stainless steel	3 x M20	Can be ordered as accessories	Can be ordered as accessories	6409/4148-5203-162-2220-22-850011	272470	64	5.400

Cable glands and stopping plugs made from moulded material are included loose with the product (installation required). Threaded plate included.

The light fittings are supplied without mounting material.

For mounting material, see page 298.

Technical Data

Explosion Protection	
IECEX gas explosion protection	Ex db ec IIC T4 Gc
IECEX dust explosion protection	Ex tb op is / tc IIIC T100 °C Db
ATEX gas explosion protection	Ⓜ II 3 G Ex db ec IIC T4 Gc
ATEX dust explosion protection	Ⓜ II 2 D Ex tb op is ... tc IIIC T100 °C Db
Certificates	ATEX (IBE), IECEX (IBE), India (PESO)
Electrical Data	
Rated operational voltage AC	110 – 240 V
Battery operating voltage	6 V
Battery capacity	7 Ah
Frequency range	50 – 60 Hz
Battery version	NiCd battery, gas-tight
Ambient Conditions	
Ambient temperature	-30 °C ... +50 °C Note: Through wiring max. 3x16 A -30 °C ... +55 °C Note: Through wiring 2 max. 3x10 A
Lighting Data	
Number of lamps	1
Lamp	LED
Light colour	Neutral white
Light distribution	120°x120° with diffusing glass
Colour rendering	≥ 80
Colour temperature	5000 K
Mechanical Data	
Enclosure material	Polyester resin, Glass fibre reinforced
Diffuser	With diffuser
Sealing material	Silicone
Installed terminal strip	PE + N + L1 + L2 + L3 + L´
Connection terminals solid max.	6 mm ²
Connection terminals finely-stranded max.	4 mm ²
Type of connection cable	Finely stranded Solid
Impact strength (IK code)	IK10 (IEC 62262)
Enclosure colour	Light grey (RAL 7035)
Notes	Connection terminals: Spring clamp terminal (2 free clamping units per pole)
Components	
Through wiring	With 6 conductors 2.5 mm ²

Technical Data

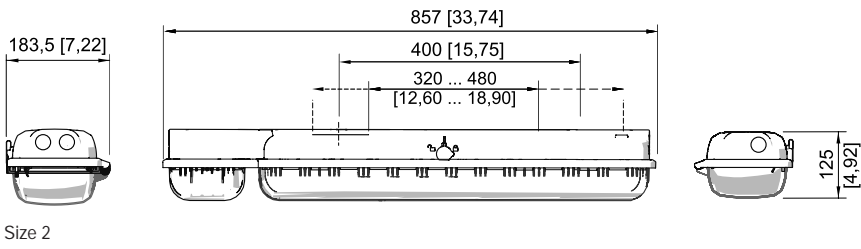
Components

Material cable gland	Polyamide, black
Stopping plug material	Polyamide, black

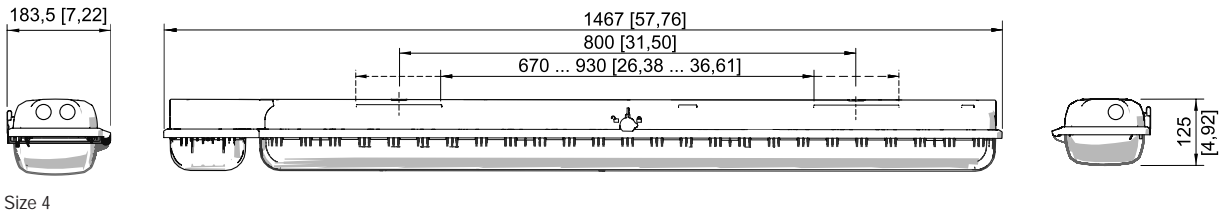
Accessories see page 298

Dimensional drawing see page 286
Dimensional drawings for assembly parts and accessories page 300

Dimensional Drawings (All Dimensions in mm [inches]) – Subject to Alterations



Size 2



Size 4



- Can be used in Zone 1, 2, 21 and 22
- Extremely robust: Impact strength rating of IK10

WebCode **6001A**



The 6001 EXLUX luminaire is suited to normal lighting applications in almost any facility. In no time at all and with very little effort, using the accessories it can be fitted to the wall, ceiling or a pole, or alternatively, it can be suspended. The practical central lock has a safety switch that disconnects the power supply at all poles when the plastic enclosure is opened. Lightweight yet strong: The high-quality workmanship makes this luminaire robust and minimises maintenance requirements.

Zone	ATEX / IECEx					
	0	1	2	20	21	22
Installation in		•	•		•	•

E2

Selection Table							
Design size	2						
Lamp wattage	18 W						
Drilled holes	Threaded plate	Cable glands	Stopping plug	Product Type	Art. No.	PS	Weight kg
3 x M20	2x SS430 stainless steel	Can be ordered as accessories	Can be ordered as accessories	6001/522-9510-15-232	238144	30	4.500
3 x M25	2x plastic	2 x M25 Ø 7 – 17 mm	2 x M25 x 1.5	6001/522-9510-15-131	220897▲	30	4.500
Design size	4						
Lamp wattage	36 W						
Drilled holes	Threaded plate	Cable glands	Stopping plug	Product Type	Art. No.	PS	Weight kg
3 x M20	2x SS430 stainless steel	Can be ordered as accessories	Can be ordered as accessories	6001/542-9510-15-232	238145	30	6.800
3 x M25	2x plastic	2 x M25 Ø 7 – 17 mm	2 x M25 x 1.5	6001/542-9510-15-131	220903▲	30	6.750
Design size	6						
Lamp wattage	58 W						
Drilled holes	Threaded plate	Cable glands	Stopping plug	Product Type	Art. No.	PS	Weight kg
3 x M20	2x SS430 stainless steel	Can be ordered as accessories	Can be ordered as accessories	6001/562-9510-15-232	238146	30	7.900
3 x M25	2x plastic	2 x M25 Ø 7 – 17 mm	2 x M25 x 1.5	6001/562-9510-15-131	220910▲	30	7.900

Cable glands and stopping plugs made from moulded material are included loose with the product (installation required). Threaded plate included.

The light fittings are supplied without fluorescent lamps or mounting material. These parts must be ordered as accessories.

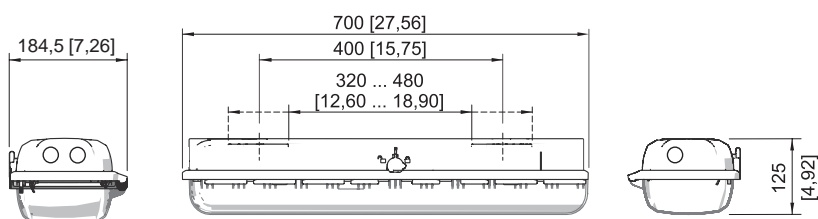
Technical Data

Variant	Design size 2 and 4	Design size 6
Explosion Protection		
IECEX gas explosion protection	Ex db eb IIC T4 Gb	Ex db eb IIC T4 Gb
IECEX dust explosion protection	Ex tb IIIC T80 °C Db	Ex tb IIIC T80 °C Db
ATEX gas explosion protection	⊕ II 2 G Ex db eb IIC T4 Gb	⊕ II 2 G Ex db eb IIC T4 Gb
ATEX dust explosion protection	⊕ II 2 D Ex tb IIIC T80 °C Db	⊕ II 2 D Ex tb IIIC T80 °C Db
Certificates	ATEX (PTB), Brazil (ULB), China (CQST), IECEX (PTB), India (PESO), Polen (CNBOP), Taiwan (ITRI)	ATEX (PTB), Brazil (ULB), China (CQST), IECEX (PTB), India (PESO), Polen (CNBOP), Taiwan (ITRI)
Ship approval	BVIS, DNGL	BVIS
Electrical Data		
Rated operational voltage AC	220 – 240 V	220 – 240 V
Rated operational voltage DC	220 – 240 V	220 – 240 V
Frequency range	50 – 60 Hz	50 – 60 Hz
Ambient Conditions		
Ambient temperature	-30 °C ... +50 °C Note: Through wiring max. 3x16 A	-20 °C ... +50 °C Note: Through wiring max. 3x16 A
Lighting Data		
Number of lamps	2	2
Lamp	G13 lamp base	G13 lamp base
Mechanical Data		
Degree of protection IP (IEC 60598)	IP66/IP67	IP66
Protection class	I (with inner PE connection)	I (with inner PE connection)
Enclosure material	Polyester resin, Glass fibre reinforced	Polyester resin, Glass fibre reinforced
Sealing material	Silicone	Silicone
Material translucent cover	Polycarbonate	Polycarbonate
Installed terminal strip	PE + N + L1 + L2 + L3	PE + N + L1 + L2 + L3
Connection terminals solid max.	4 mm ²	4 mm ²
Lighting lock	Central lock , For box spanner actuation	Central lock , For box spanner actuation
Type of connection cable	Finely stranded Solid Stranded	Finely stranded Stranded Solid
Impact strength (IK code)	IK10 (IEC 62262)	IK10 (IEC 62262)
Enclosure colour	Light grey (RAL 7035)	Light grey (RAL 7035)
Notes	Connection terminals: Spring clamp terminal (2 free clamping units per pole)	
Components		
Ballast	6042/243-21	6042/963-21
Through wiring	With 5 conductors 2.5 mm ²	With 5 conductors 2.5 mm ²

Accessories see page 298

For dimensional drawings for assembly parts and accessories, see 300

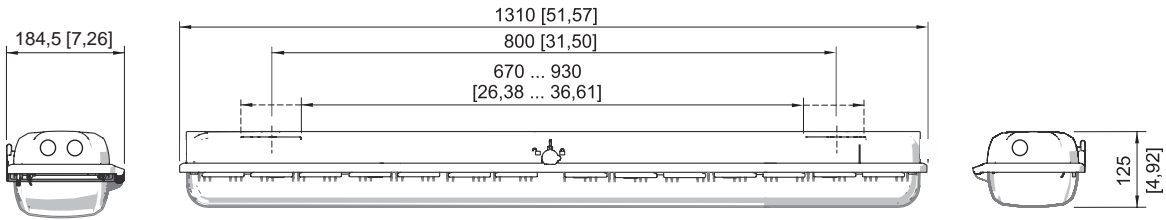
Dimensional Drawings (All Dimensions in mm [inches]) – Subject to Alterations



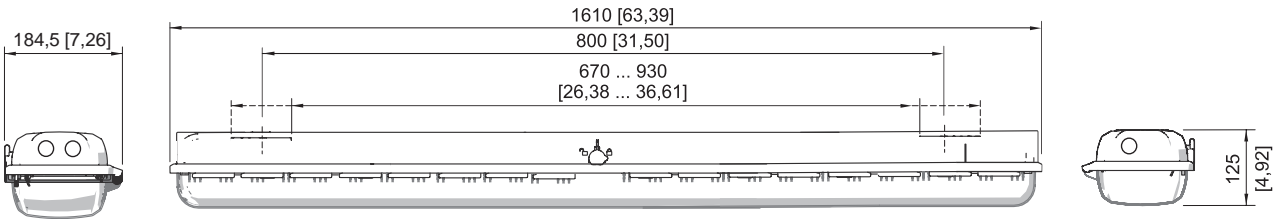
Size 2

Linear Luminaire for Fluorescent Lamps EXLUX

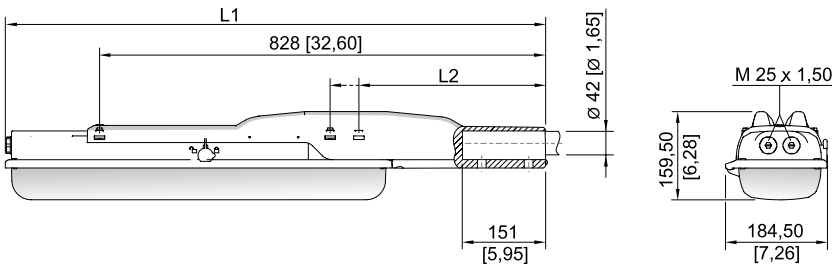
Series 6001



Size 4



Size 6



With pole mounting sleeve

Size 2:

L1 = 978 mm [38.50]

L2 = 390 mm [15.35]

Size 4:

L1 = 1587 mm [62.48]

L2 = 338 mm [13.31]

E2



- Can be used in Zone 2, 21 and 22
- Explosion-protected linear luminaire with two fluorescent lamps: 18 W, 36 W and 58 W
- Extremely robust: Impact strength rating of IK10

WebCode **6401A**



The 6401 EXLUX luminaire is suited to normal indoor and outdoor lighting applications. In no time at all and with very little effort, using the accessories it can be fitted to the wall, ceiling or a pole, or alternatively, it can be suspended. The practical central lock is available with an optional switching element that disconnects the power supply at all poles when the plastic enclosure is opened. Lightweight yet strong: The high-quality workmanship makes this luminaire robust and minimises maintenance requirements.

	ATEX / IECEx					
Zone	0	1	2	20	21	22
Installation in			•		•	•

Selection Table

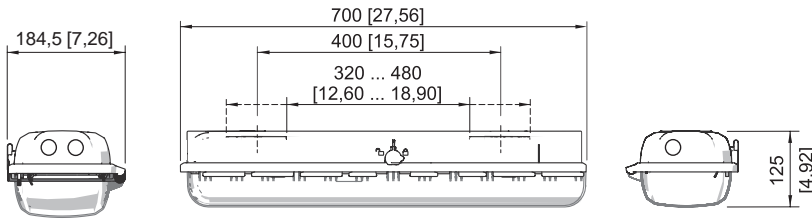
Design size		2					
Lamp wattage		18 W					
Drilled holes	Threaded plate	Cable glands	Stopping plug	Product Type	Art. No.	PS	Weight kg
3 x M20	2x SS430 stainless steel	Can be ordered as accessories	Can be ordered as accessories	6401/522-8508-15-232	239555	30	3.200
3 x M25	2x plastic	2 x M25 Ø 7 – 17 mm	2 x M25 x 1.5	6401/522-8508-15-131	239552	30	3.200
Design size		4					
Lamp wattage		36 W					
Drilled holes	Threaded plate	Cable glands	Stopping plug	Product Type	Art. No.	PS	Weight kg
3 x M20	2x SS430 stainless steel	Can be ordered as accessories	Can be ordered as accessories	6401/542-8508-15-232	239556	30	5.500
3 x M25	2x plastic	2 x M25 Ø 7 – 17 mm	2 x M25 x 1.5	6401/542-8508-15-131	239553▲	30	5.500
Design size		6					
Lamp wattage		58 W					
Drilled holes	Threaded plate	Cable glands	Stopping plug	Product Type	Art. No.	PS	Weight kg
3 x M20	2x SS430 stainless steel	Can be ordered as accessories	Can be ordered as accessories	6401/562-8508-15-232	239557	30	7.900
3 x M25	2x plastic	2 x M25 Ø 7 – 17 mm	2 x M25 x 1.5	6401/562-8508-15-131	239554	30	7.900

Cable glands and stopping plugs made from moulded material are included loose with the product (installation required). Threaded plate included.

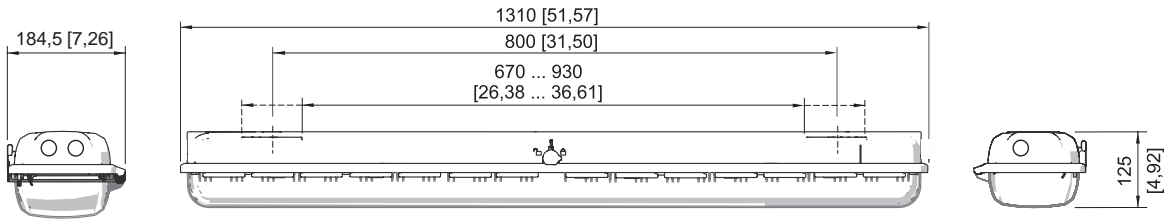
The light fittings are supplied without fluorescent lamps or mounting material. These parts must be ordered as accessories.

Technical Data		
Variant	Design size 2 and 4	Design size 6
Explosion Protection		
IECEx gas explosion protection	Ex ec IIC T4 Gc	Ex ec IIC T4 Gc
IECEx dust explosion protection	Ex tb / tc IIIC T80 °C Db	Ex tb / tc IIIC T80 °C Db
ATEX gas explosion protection	Ⓜ II 3 G Ex ec IIC T4 Gc	Ⓜ II 3 G Ex ec IIC T4 Gc
ATEX dust explosion protection	Ⓜ II 2 D Ex tb ... tc IIIC T80 °C Db	Ⓜ II 2 D Ex tb ... tc IIIC T80 °C Db
Certificates	ATEX (PTB), IECEx (PTB)	ATEX (PTB), IECEx (PTB)
Ship approval	DNVGL	
Electrical Data		
Rated operational voltage AC	220 – 240 V	220 – 240 V
Rated operational voltage DC	220 – 240 V	220 – 240 V
Frequency range	50 – 60 Hz	50 – 60 Hz
Ambient Conditions		
Ambient temperature	-30 °C ... +50 °C Note: Through wiring max. 3x16 A	-20 °C ... +50 °C Note: Through wiring max. 3x16 A
Lighting Data		
Number of lamps	2	2
Lamp	G13 lamp base	G13 lamp base
Mechanical Data		
Degree of protection IP (IEC 60598)	IP66/IP67	IP66
Protection class	I (with inner PE connection)	I (with inner PE connection)
Enclosure material	Polyester resin, Glass fibre reinforced	Polyester resin, Glass fibre reinforced
Material translucent cover	Polycarbonate	Polycarbonate
Installed terminal strip	PE + N + L1 + L2 + L3	PE + N + L1 + L2 + L3
Connection terminals solid max.	4 mm ²	4 mm ²
Impact strength (IK code)	IK10 (IEC 62262)	IK10 (IEC 62262)
Enclosure colour	Light grey (RAL 7035)	Light grey (RAL 7035)
Notes	Connection terminals: Spring clamp terminal (2 free clamping units per pole)	
Components		
Through wiring	With 5 conductors 2.5 mm ²	With 5 conductors 2.5 mm ²
Accessories see page 298		
For dimensional drawings for assembly parts and accessories, see page 300		

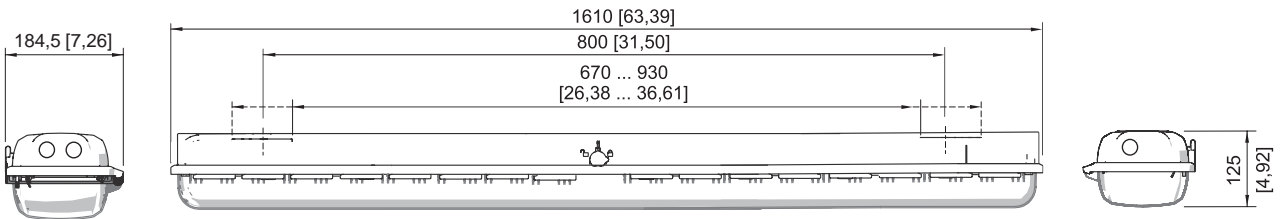
Dimensional Drawings (All Dimensions in mm [inches]) – Subject to Alterations



Size 2



Size 4



Size 6

E2

Emergency Luminaire for Fluorescent Lamps EXLUX

Series 6009/5

STAHL



- Can be used in Zones 1, 2, 21 and 22
- Two fluorescent lamps: 18 W and 36 W
- Weekly function test and annual emergency light duration test

WebCode 6009A



The 6009 series EXLUX emergency luminaire is suitable for use as safety lighting. It is lightweight and requires minimal maintenance. The battery is housed in the external enclosure and powers the emergency lighting for 1.5 or 3 hours. If one lamp is faulty, the luminaire switches to the working lamp. When the central lock is opened, the luminaire is always disconnected from the power supply at all poles.

Zone	ATEX / IECEx					
	0	1	2	20	21	22
Installation in		•	•		•	•

Selection Table

Design size	2						
Lamp wattage	18 W						
Drilled holes	Threaded plate	Cable glands	Stopping plug	Product Type	Art. No.	PS	Weight kg
3 x M20	2x SS430 stainless steel	Can be ordered as accessories	Can be ordered as accessories	6009/522-9617-1622-71	238147	30	7.600
3 x M25	2x plastic	2 x M25 Ø 7 – 17 mm	2 x M25 x 1.5	6009/522-9617-1611-71	225723	30	7.600
Design size	4						
Lamp wattage	36 W						
Drilled holes	Threaded plate	Cable glands	Stopping plug	Product Type	Art. No.	PS	Weight kg
3 x M20	2x SS430 stainless steel	Can be ordered as accessories	Can be ordered as accessories	6009/542-9617-1622-71	238148	30	9.600
3 x M25	2x plastic	2 x M25 Ø 7 – 17 mm	2 x M25 x 1.5	6009/542-9617-1611-71	225725	30	9.650

Cable glands and stopping plugs made from moulded material are included loose with the product (installation required). Threaded plate included.

The light fittings are supplied without fluorescent lamps or mounting material. These parts must be ordered as accessories.

Technical Data

Explosion Protection	
IECEx gas explosion protection	Ex de mb IIC T4 Gb
IECEx dust explosion protection	Ex tb IIIIC T80 °C Db
ATEX gas explosion protection	⊕ II 2 G Ex de mb IIC T4 Gb
ATEX dust explosion protection	⊕ II 2 D Ex tb IIIIC T80 °C Db
Certificates	ATEX (PTB), Brazil (ULB), China (CQST), IECEx (PTB), Polen (CNBOP)
Ship approval	BVIS, DNVGL

E2

Technical Data

Electrical Data

Rated operational voltage AC	220 – 240 V
Frequency range	50 – 60 Hz
Battery operating voltage	6 V
Battery capacity	7 Ah
Self-test function	With (standard)

Notes	<p>Disconnection of the light: When opening the light Switch with safety lock; when opening the central lock, all poles of the voltage supply to the ballast are disconnected; contacts of the switching element are NC contacts, they can only be switched on again when the lamp cover and the central locking system are closed. In case of a lamp fault, the electronic ballast disconnects the defective lamp from the power supply.</p>
-------	--

Ambient Conditions

Ambient temperature	-30 °C ... +50 °C Note: Through wiring max. 3x16 A
---------------------	--

Lighting Data

Number of lamps	2
Emergency light mode	Continuous light Or stand-by light
Operating time	1.5 / 3h emergency lighting operation
Lamp	G13 lamp base

Mechanical Data

Degree of protection IP (IEC 60598)	IP66 / IP67
Protection class	I (with inner PE connection)
Enclosure material	Polyester resin, Glass fibre reinforced
Sealing material	Silicone
Material translucent cover	Polycarbonate
Installed terminal strip	PE + N + L1 + L2 + L3 + L´
Connection terminals solid max.	4 mm ²
Lighting lock	Central lock , For box spanner actuation
Type of connection cable	Finely stranded Solid
Impact strength (IK code)	IK10 (IEC 62262)
Enclosure colour	Light grey (RAL 7035)
Notes	Connection terminals: Spring clamp terminal (2 free clamping units per pole)

Components

Ballast	6043-792-201
Through wiring	With 6 conductors 2.5 mm ²
Battery-Version	NiCd battery, gas-tight
Material cable gland	Polyamide, black

Accessories see page 298

Dimensional drawing see page 286
 Dimensional drawings for assembly parts and accessories see page 300

Emergency Luminaire for Fluorescent Lamps EXLUX

Series 6409/5



- Can be used in Zones 2, 21 and 22
- Weekly function test and annual emergency light duration test

WebCode **6409A**



The 6409 Series EXLUX emergency luminaire is suitable for use as safety lighting. It is lightweight and requires minimal maintenance. The external battery powers the emergency lighting for 1.5 or 3 hours. If one lamp is faulty, the luminaire switches to the working lamp. When the luminaire or battery case is opened, the battery circuit is disconnected. The robust plastic enclosure of the luminaire is easy to open thanks to the practical central lock.

	ATEX / IECEx					
Zone	0	1	2	20	21	22
Installation in			•		•	•

E2

Selection Table							
Design size	2						
Lamp wattage	18 W						
Drilled holes	Threaded plate	Cable glands	Stopping plug	Product Type	Art. No.	PS	Weight kg
3 x M20	2x stainless steel	Can be ordered as accessories	Can be ordered as accessories	6409/522-9607-1622-7	240874	30	7.400
3 x M25	2x plastic	2 x M25 Ø 7 – 17 mm	2 x M25 x 1.5	6409/522-9607-1611-7	240873	30	7.300
Design size	4						
Lamp wattage	36 W						
Drilled holes	Threaded plate	Cable glands	Stopping plug	Product Type	Art. No.	PS	Weight kg
3 x M20	2x stainless steel	Can be ordered as accessories	Can be ordered as accessories	6409/542-9607-1622-7	240895	30	9.630
3 x M25	2x plastic	2 x M25 Ø 7 – 17 mm	2 x M25 x 1.5	6409/542-9607-1611-7	240894	30	9.700

Cable glands and stopping plugs made from moulded material are included loose with the product (installation required). Threaded plate included.

The light fittings are supplied without fluorescent lamps or mounting material. These parts must be ordered as accessories.

Technical Data	
Explosion Protection	
IECEx gas explosion protection	Ex nA d mb IIC T4 Gc
IECEx dust explosion protection	Ex tc / tb IIIC T80 °C Dc
ATEX gas explosion protection	⊕ II 3 G Ex nA d mb IIC T4 Gc
ATEX dust explosion protection	⊕ II 3 D Ex tc ... tb IIIC T80 °C Dc
Certificates	ATEX (PTB), IECEx (PTB)

Technical Data

Electrical Data

Rated operational voltage AC	220 – 240 V
Frequency range	50 – 60 Hz
Battery operating voltage	6 V
Battery capacity	7 Ah
Self-test function	With (standard)

Notes

Disconnection of the light:
When opening the light
 Switch with safety lock: when opening the central lock, all poles of the voltage supply to the ballast are disconnected; contacts of the switching element are NC contacts, they can only be switched on again when the lamp cover and the central locking system are closed.
In case of a lamp fault, the electronic ballast disconnects the defective lamp from the power supply.

Ambient Conditions

Ambient temperature	-30 °C ... +50 °C Note: Through wiring max. 3x16 A
---------------------	--

Lighting Data

Number of lamps	2
Lamp	G13 lamp base
Operating time	1.5 / 3h emergency lighting operation
Emergency light mode	Continuous light Or stand-by light

Mechanical Data

Degree of protection IP (IEC 60598)	IP66 / IP67
Protection class	I (with inner PE connection)
Enclosure material	Polyester resin, Glass fibre reinforced
Sealing material	Silicone
Material translucent cover	Polycarbonate
Installed terminal strip	PE + N + L1 + L2 + L3 + L´
Connection terminals solid max.	4 mm ²
Type of connection cable	Solid Finely stranded
Impact strength (IK code)	IK10 (IEC 62262)
Enclosure colour	Light grey (RAL 7035)
Notes	Connection terminals: Spring clamp terminal (2 free clamping units per pole)

Components

Through wiring	With 6 conductors 2.5 mm ²
Battery-Version	NiCd battery, gas-tight
Ballast	6043/792-201
Material cable gland	Polyamide, black

Accessories see page 298

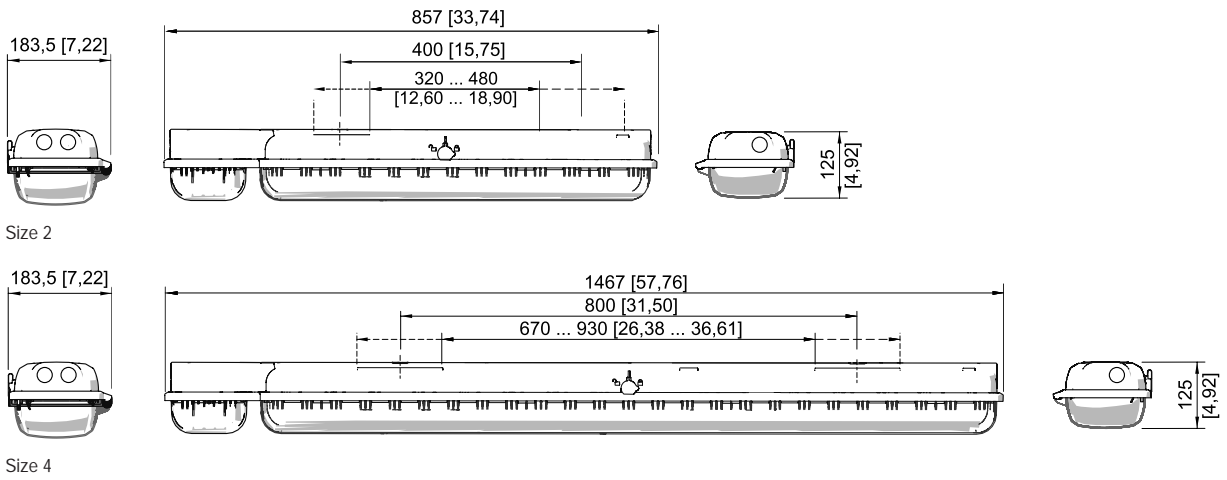
Dimensional drawings for assembly parts and accessories, see page 300

Emergency Luminaire for Fluorescent Lamps EXLUX

Series 6009, 6409 Dimensional Drawings

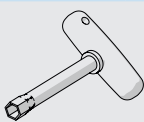
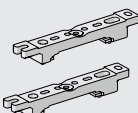
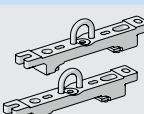
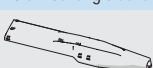
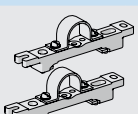

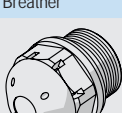
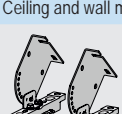



Dimensional Drawings (All Dimensions in mm [inches]) – Subject to Alterations



E2


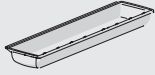
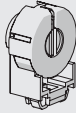
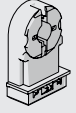
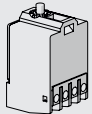
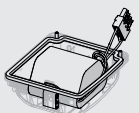
Accessories

Figure	Description	Art. No.	PS	Weight kg
Socket key				
	M8 / wrench size 13; to open/close the central locking	222430 ▲	Z3	0.210
Mounting rail				
	for a variable mounting distance; 1 pair	222826 ▲	Z3	0.350
Mounting bracket				
	mounting clamp mounted on a mounting rail for a variable mounting distance; 1 pair	222456 ▲	Z3	0.400
Pole mounting sleeve				
	for the subsequent mounting on lights size 2 and size 4, completely with assembly parts	227512	Z3	3.200
Pipe clamp				
	R 1 1/2"; with mounting rail for a variable mounting distance; Material: stainless steel; 1 pair	222459 ▲	Z3	0.800
	R 1 1/4"; with mounting rail for a variable mounting distance; Material: stainless steel; 1 pair	222458 ▲	Z3	0.700
	R 2"; with mounting rail for a variable mounting distance; Material: stainless steel; 1 pair	222460 ▲	Z3	0.750
Ring bolt				
	M8, direct mounting in insert nuts; 1 pair	115736 ▲	Z3	0.115
Breather				
	Thread: M25 x 1.5; 1 pc; for installation in lights; in moulded material; without counter nut	138573 ▲	Z1	0.010
	Thread: M25 x 1.5; 20 pc; for installation in lights; in moulded material; without counter nut	138576 ▲	Z1	0.200
	M25 x 1.5 in order to avoid condensate formation	115738 ▲	Z3	0.017
Ceiling and wall mounting bracket				
	mounted on a mounting rail for a variable mounting distance; Material: stainless steel; Lamp can be swiveled in steps of 15°; 1 pair	222827 ▲	Z3	1.200
Bracket for wall mounting with tube				
	for side entry lamp; with tube, length 400 mm, Ø 42 mm	108947 ▲	Z3	2.480

E2

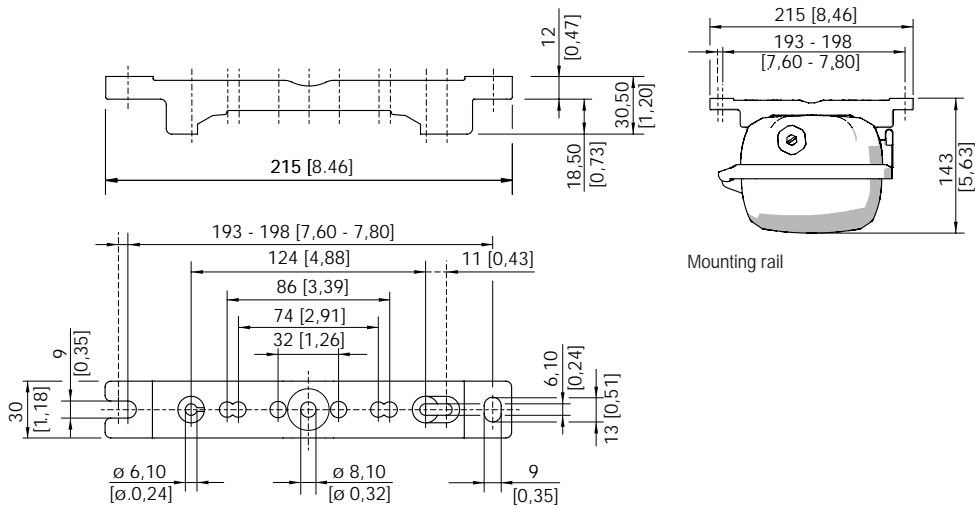
Linear Luminaire for Fluorescent Lamps EXLUX

Series 6001, 6002, 6009, 6401, 6402, L402, 6409 Accessories and Spare Parts

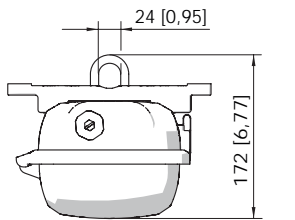
Spare Parts				
Figure	Description	Art. No.	PS	Weight kg
Fluorescent lamp				
	18 W, 1350 lm	108952 ▲	E3	0.100
	36 W, 3350 lm	108951 ▲	E3	0.200
	58 W, 5200 lm	108950 ▲	E3	0.220
Cover				
	for luminaire size 2	222427	E3	0.639
	for luminaire size 2 (resistant to aromatic substances)	256534	E3	0.679
	for luminaire size 4	222428	E3	1.149
	for luminaire size 4 (resistant to aromatic substances)	256535	E3	1.167
	for luminaire size 6	222429	E3	1.450
	for luminaire size 6 (resistant to aromatic substances)	256536	E3	1.473
Lamp holder				
	G13 Ex e lamp holder for light fittings with T8 fluorescent lamps for use in Zone 1	117252 ▲	E3	0.036
	G13 lamp holder for light fittings with T8 fluorescent lamps for use in Zone 2 and for industrial applications (x 100 units)	107275	E3	0.008
Contact element				
	8080/1-3-L 2 NC contact element	132527	E3	0.026
Battery set				
	Battery cover with built-in battery. Gas-tight NiCd battery; 7 Ah / 6 V	223532	E3	1.195

E2

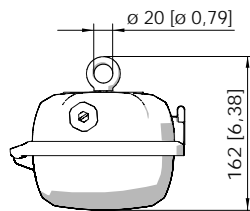
Dimensional Drawings (All Dimensions in mm [inches]) – Subject to Alterations



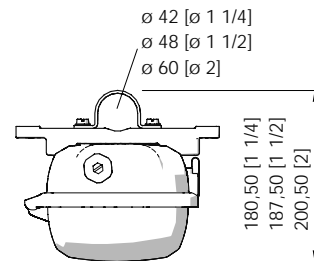
Mounting rail



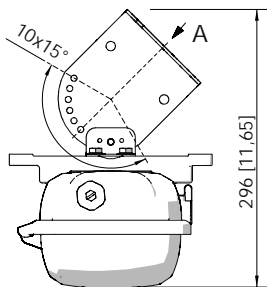
Mounting bracket fitted in mounting rail



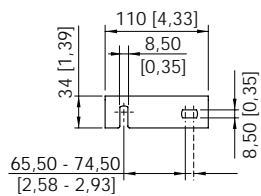
Ring bolt fitted in insert nut of the luminaire



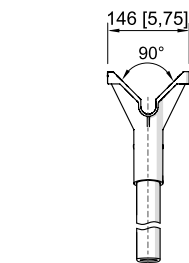
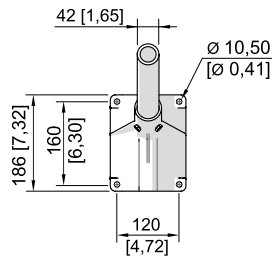
Pipe clamp fitted in mounting rail



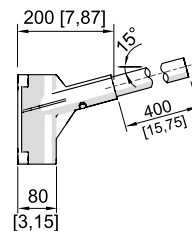
A



Wall mounting bracket fitted in mounting rail



Bracket for wall mounting with pipe section



Linear Luminaire with LED

Series 6012/5 made of Sheet Steel or Stainless Steel



- Extra flat version for low mounting depth
- For use in Zones 1, 2, 21 and 22
- Latest LED technology with a high luminous efficacy and a long service life
- Powder-coated sheet-steel or brushed stainless steel
- Central lock

WebCode **6012C**



Series 6012 light fittings are preferred for use in spraying, painting and clean room installations.

Zone	ATEX / IECEx					
	0	1	2	20	21	22
Installation in		•	•		•	•

Selection Table							
Design size	2						
Lamp wattage	Colour temperature	Colour rendering	Luminous flux	Product Type	Art. No.	PS	Weight kg
28 W	5000 K	≥ 80	2200 lm	6012/5114-2540-051-3111-00	260325▲	64	11.100
	5700 K	≥ 70	2350 lm	6012/5114-2540-051-3111-01	260333	64	11.100
Design size	4						
Lamp wattage	Colour temperature	Colour rendering	Luminous flux	Product Type	Art. No.	PS	Weight kg
52 W	5000 K	≥ 80	4300 lm	6012/5124-4540-051-3111-00	260341▲	64	17.900
	5700 K	≥ 70	4600 lm	6012/5124-4540-051-3111-01	260349	64	17.900

E2

Cable glands (2 x M25 Ø 7 – 17 mm) and stopping plugs (1 x M25 x 1.5) made from moulded material are included loose with the product (installation required).

The light fittings are supplied without lamps or mounting material.
To use the product as a recessed light fitting, a special recessed installation frame is required (in addition to the mounting material).
These parts must be ordered as accessories (see page 319).

You can find variants made of stainless steel online at r-stahl.com. WebCode 6012C

Technical Data	
Explosion Protection	
IECEx dust explosion protection	Ex tb IIIC T80 °C Db
IECEx gas explosion protection	Ex db eb IIB T6 Gb
ATEX dust explosion protection	⊕ II 2 D Ex tb IIIC T80 °C Db
ATEX gas explosion protection	⊕ II 2 G Ex db eb IIB T6 Gb
EAC gas explosion protection	⊕ 1 Ex d e IIB T6 Gb X
EAC dust explosion protection	⊕ Ex tb IIIC T80°C Db X
Certificates	ATEX (BVS), EAC (Sertium), IECEx (BVS)

Technical Data

Electrical Data

Rated operational voltage AC	110 – 240 V
Rated operational voltage DC	110 – 250 V
Frequency range	50 – 60 Hz

Ambient Conditions

Ambient temperature	-40 °C ... +55 °C Note: Through wiring max. 12 A
---------------------	--

Lighting Data

Lamp	LED
------	-----

Mechanical Data

Degree of protection IP (IEC 60598)	IP65
Protection class	I (with inner PE connection)
Enclosure material	Sheet steel, Powder-coated
Diffuser	With diffuser
Sealing material	Silicone
Lens material	Safety glass
Installed terminal strip	PE + N + L1 + L2 + L3
Connection terminals solid max.	4 mm ²
Type of connection cable	Solid Finely stranded

Notes	Connection terminals: Spring clamp terminal
-------	---

Components

Through wiring	With 5 conductors 2.5 mm ²
Drilled holes	3 x M25
Material cable gland	Polyamide, black

Accessories and spare parts see page 319

Dimensional drawings see page 305

Linear Luminaire with LED

Series 6412/5 made of Sheet Steel or Stainless Steel



- Extra flat version for low mounting depth
- For use in Zones 2, 21 and 22
- Latest LED technology with a high luminous efficacy and a long service life
- Powder-coated sheet-steel or brushed stainless steel
- Central lock

WebCode **6412C**



Series 6412 light fittings are preferred for use in spraying, painting and clean room installations.

	ATEX / IECEx					
Zone	0	1	2	20	21	22
Installation in			•		•	•

Selection Table							
Design size	2						
Lamp wattage	Colour temperature	Colour rendering	Luminous flux	Product Type	Art. No.	PS	Weight kg
28 W	5000 K	≥ 80	2400 lm	6412/5114-2550-5131-1100	260242▲	64	10.100
	5700 K	≥ 70	2600 lm	6412/5114-2550-5131-1101	260255	64	10.100
Design size	4						
Lamp wattage	Colour temperature	Colour rendering	Luminous flux	Product Type	Art. No.	PS	Weight kg
52 W	5000 K	≥ 80	4850 lm	6412/5124-4550-5131-1100	260263▲	64	17.000
	5700 K	≥ 70	5200 lm	6412/5124-4550-5131-1101	260271	64	17.000

Cable glands (2 x M25 Ø 7 – 17 mm) and stopping plugs (1 x M25 x 1.5) made from moulded material are included loose with the product (installation required).

The light fittings are supplied without lamps or mounting material.
To use the product as a recessed light fitting, a special recessed installation frame is required (in addition to the mounting material).
These parts must be ordered as accessories (see page 319).

You can find variants made of stainless steel online at r-stahl.com. WebCode 6412C

Technical Data	
Explosion Protection	
IECEx gas explosion protection	Ex nA IIC T4 Gc
IECEx dust explosion protection	Ex tb / tc IIIC T80 °C Db
ATEX gas explosion protection	Ⓔ II 3 G Ex nA IIC T4 Gc
ATEX dust explosion protection	Ⓔ II 2 D Ex tb ... tc IIIC T80 °C Db
Certificates	ATEX (BVS), IECEx (BVS)
Electrical Data	
Rated operational voltage AC	220 – 240 V
Rated operational voltage DC	220 – 240 V
Frequency range	50 – 60 Hz

E2

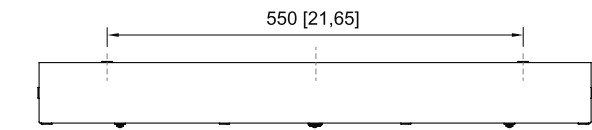
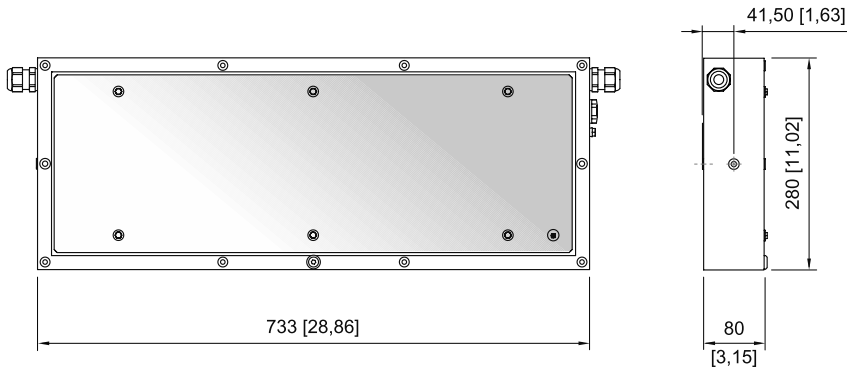
Technical Data	
Ambient Conditions	
Ambient temperature	-40 °C ... +60 °C Note: Through wiring max. 12 A
Lighting Data	
Number of lamps	1
Lamp	LED
Mechanical Data	
Degree of protection IP (IEC 60598)	IP66
Protection class	I (with inner PE connection)
Enclosure material	Sheet steel, Powder-coated
Diffuser	With diffuser
Sealing material	Silicone
Lens material	Safety glass
Installed terminal strip	PE + N + L1 + L2 + L3
Connection terminals solid max.	4 mm ²
Type of connection cable	Finely stranded Solid
Notes	Connection terminals: Spring clamp terminal
Components	
Through wiring	With 5 conductors 2.5 mm ²
Drilled holes	3 x M25
Material cable gland	Polyamide, black
Accessories and spare parts see page 319	
Dimensional drawings see page 305	

Linear Luminaire with LED

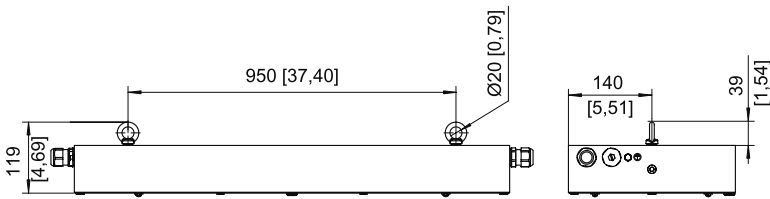
Series 6012/5, 6412/5 made of Sheet Steel or Stainless Steel
Dimensional Drawings



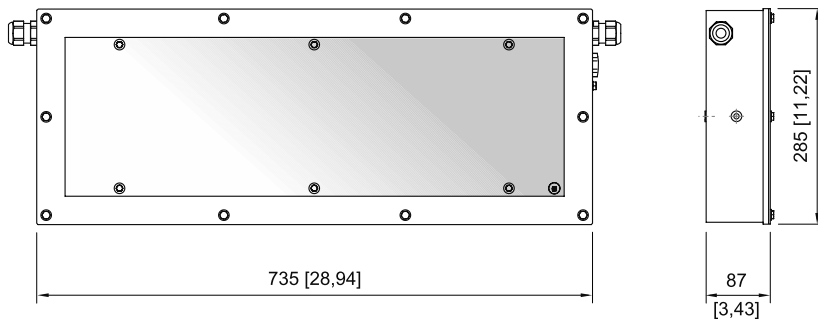
Dimensional Drawings (All Dimensions in mm [inches]) – Subject to Alterations



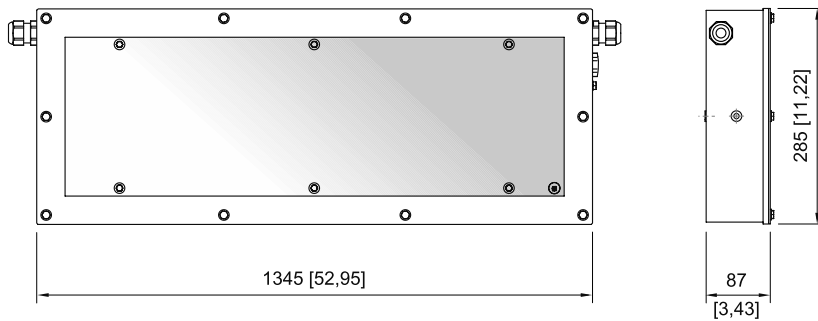
Light Fitting universal Size 2



Light Fitting universal Size 4



Light Fitting universal with frame for IP66 Size 2

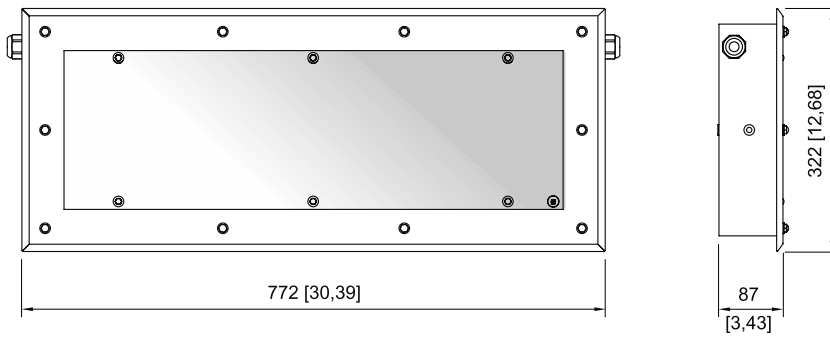


Light Fitting universal with frame for IP66 Size 4

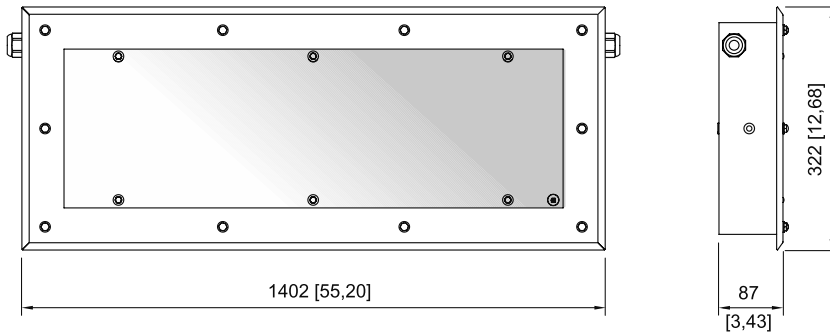
E2

Linear Luminaire with LED

Series 6012/5, 6412/5 made of Sheet Steel or Stainless Steel
Dimensional Drawings

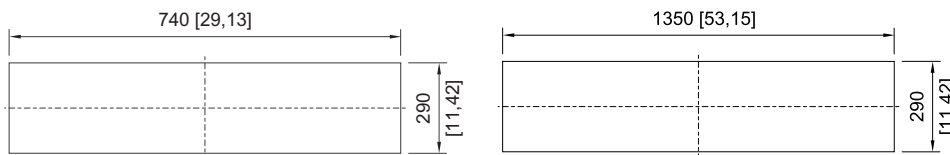


Light Fitting universal with frame for recessed mounting for IP66 Size 2



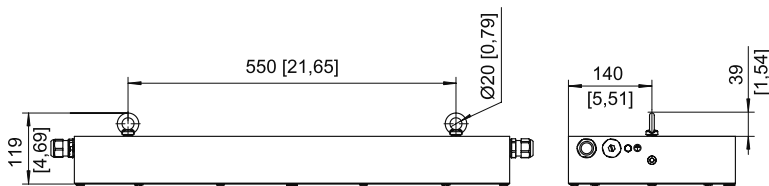
Light Fitting universal with frame for recessed mounting for IP66 Size 4

E2

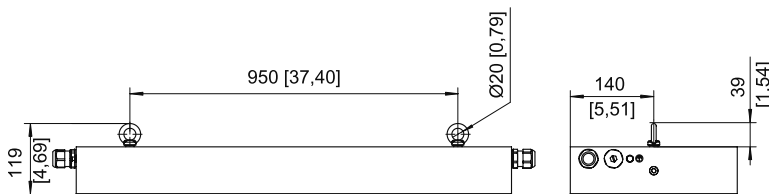


Mounting Cut-Out Size 2

Mounting Cut-Out Size 4



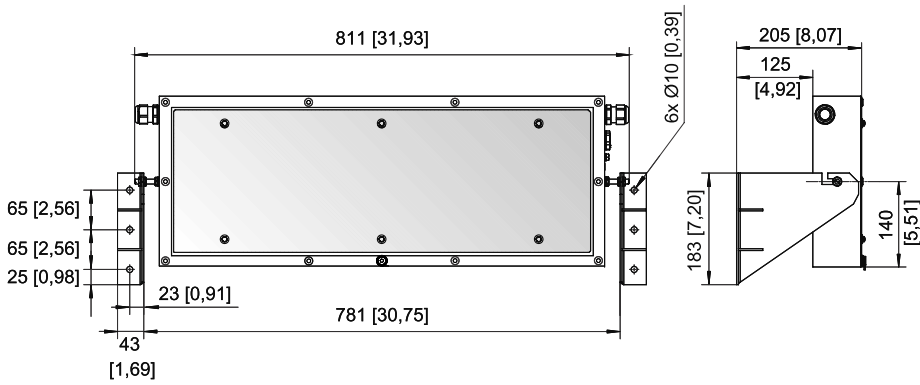
Mounting with ring bolts Size 2



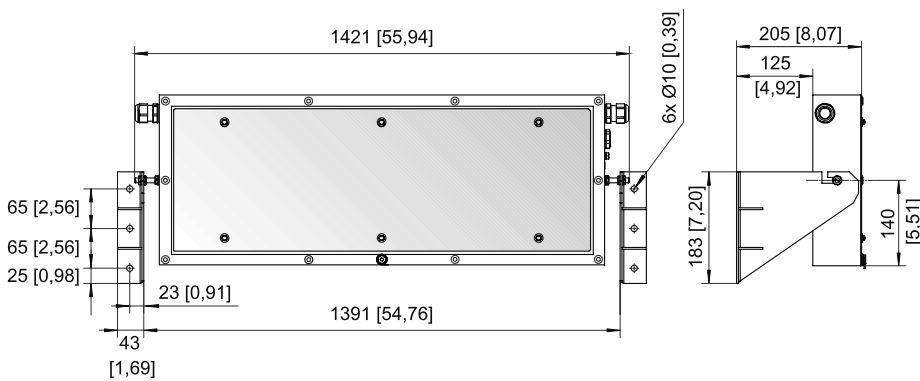
Mounting with ring bolts Size 4

Linear Luminaire with LED

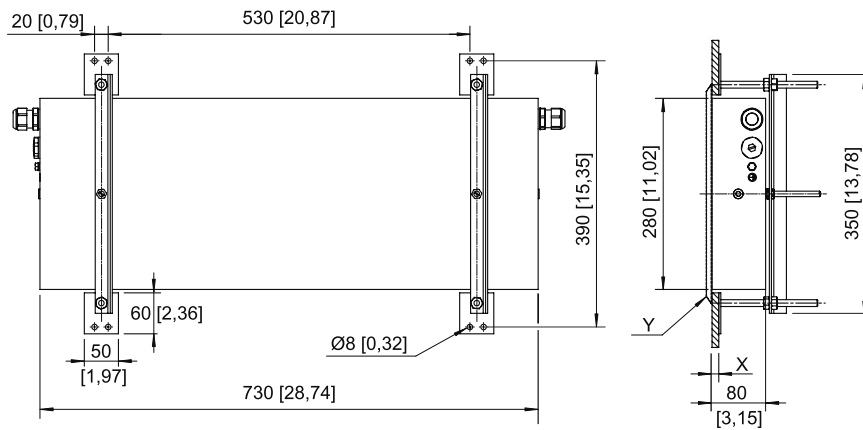
Series 6012/5, 6412/5 made of Sheet Steel or Stainless Steel
Dimensional Drawings



Mounting on wall or ceiling Size 2



Mounting on wall or ceiling Size 4

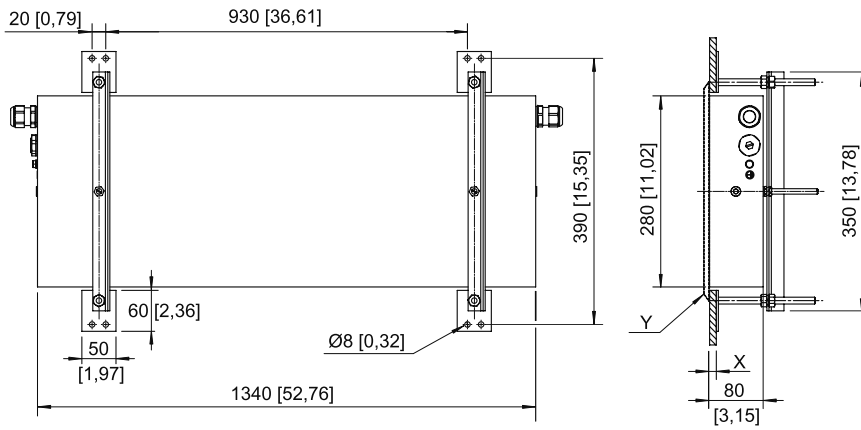


Recessed mounting in wall or ceiling Size 2

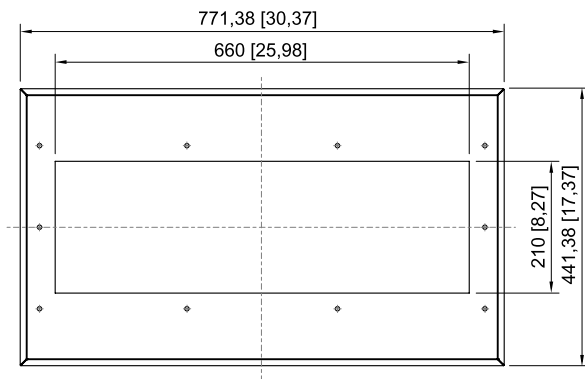
E2

Linear Luminaire with LED

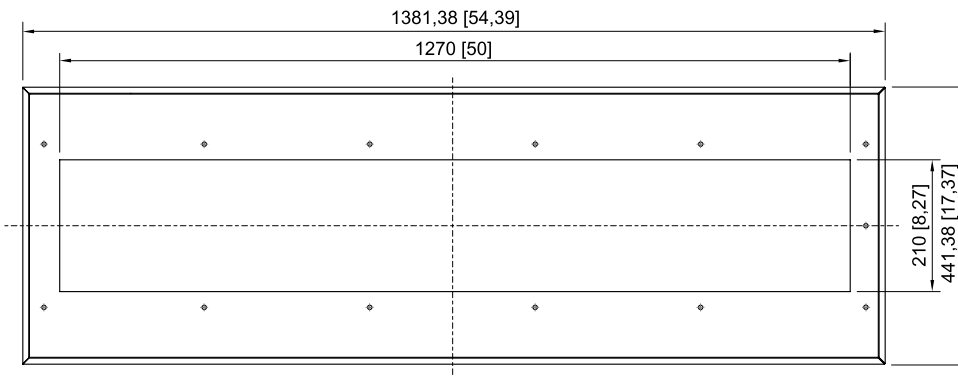
Series 6012/5, 6412/5 made of Sheet Steel or Stainless Steel
Dimensional Drawings



Recessed mounting in wall or ceiling Size 4



Replacement frame Size 2



Replacement frame Size 4

E2

Linear Luminaire for Fluorescent Lamps

Series 6012/1 made of Sheet Steel or Stainless Steel



- Extra flat version for low mounting depth
- Can be used in Zones 1, 2, 21 and 22
- Central lock for opening and closing the luminaire, featuring safety switch that disconnects power supply at all poles when luminaire opened
- Enclosure made from powder-coated sheet steel or stainless steel

WebCode **6012A**



The 6012 series linear luminaires are robust and require minimal maintenance. They have two or four fluorescent lamps and are suited to applications such as lighting spray and paint lines. Their extremely flat design means that they do not require a deep recess if they are to be built in. With the right accessories, they are easy to install in a wide variety of different ways in no time at all.

	ATEX / IECEx					
Zone	0	1	2	20	21	22
Installation in		•	•		•	•

E2

Selection Table						
Design size	2					
Ambient temperature	-35 °C ... +60 °C Note: Through wiring max. 12 A					
Lamp wattage	Number of lamps	Product Type	Art. No.	PS	Weight kg	
18 W	2	6012/1112-2901-1100-11	224797	31	13.070	
	4	6012/1122-4901-1100-11	226383	31	16.890	
Design size	4					
Ambient temperature	-35 °C ... +60 °C Note: Through wiring max. 12 A					
Lamp wattage	Number of lamps	Product Type	Art. No.	PS	Weight kg	
36 W	2	6012/1114-2951-1100-11	224801▲	31	21.800	
	4	6012/1124-4951-1100-11	226394	31	27.470	
Design size	6					
Ambient temperature	-35 °C ... +50 °C Note: Through wiring max. 12 A					
Lamp wattage	Number of lamps	Product Type	Art. No.	PS	Weight kg	
58 W	2	6012/1116-2951-1100-11	226382	31	26.180	
	4	6012/1126-4951-1100-11	226395	31	32.770	

Cable glands (2 x M25 Ø 7 – 17 mm) and stopping plugs (1 x M25 x 1.5) made from moulded material are included loose with the product (installation required).

The light fittings are supplied without lamps or mounting material.
To use the product as a recessed light fitting, a special recessed installation frame is required (in addition to the mounting material).
These parts must be ordered as accessories (see page 319).

You can find variants made of stainless steel online at r-stahl.com. WebCode 6012A

Technical Data

Explosion Protection

IECEX gas explosion protection	Ex de IIC T4 Gb
IECEX dust explosion protection	Ex tb IIIC T80 °C Db
ATEX gas explosion protection	⊕ II 2 G Ex de IIC T4 Gb
ATEX dust explosion protection	⊕ II 2 D Ex tb IIIC T80 °C Db
EAC gas explosion protection	Ⓜ 1 Ex d e IIC T4 Gb X
EAC dust explosion protection	Ⓜ Ex tb IIIC T80°C Db X
Certificates	ATEX (BVS), EAC (TehnoP), IECEX (BVS)

Electrical Data

Rated operational voltage AC	220 – 240 V
Rated operational voltage DC	220 – 240 V
Frequency range	50 – 60 Hz

Lighting Data

Lamp	G13 lamp base
------	---------------

Mechanical Data

Degree of protection IP (IEC 60598)	IP65
Protection class	I (with inner PE connection)
Enclosure material	Sheet steel, Powder-coated
Sealing material	Silicone
Lens material	Safety glass
Installed terminal strip	PE + N + L1
Connection terminals solid max.	4 mm ²
Type of connection cable	Solid Finely stranded
Enclosure colour	White, RAL 9016
Notes	Connection terminals: Spring clamp terminal

Components

Address module	Without
Through wiring	Without
Drilled holes	3 x M25
Material cable gland	Polyamide, black

Accessoires see page 319

Dimensional drawings see page 313

Linear Luminaire for Fluorescent Lamps

Series 6412/1 made of Sheet Steel or Stainless Steel



- Extra flat version for low mounting depth
- Can be used in Zones 2, 21 and 22
- Explosion-protected linear luminaire with two or four fluorescent lamps
- Ideal for lighting spray and paint lines

WebCode **6412B**



The 6412/11 series luminaire is particularly well suited to lighting spray and paint lines. The extra flat design of the powder-coated sheet steel or stainless steel enclosure means that it does not require a deep recess. It takes no time at all and very little effort to fit, and can be configured as a built-in light, or alternatively, suspended. And thanks to the practical central lock, it is easy to open and close.

	ATEX / IECEx					
Zone	0	1	2	20	21	22
Installation in			•		•	•

E2

Selection Table						
Design size	2					
Ambient temperature	-30 °C ... +50 °C Note: Through wiring max. 12 A					
Lamp wattage	Number of lamps	Product Type	Art. No.	PS	Weight kg	
18 W	2	6412/1112-2801-0100-11	224814	31	11.670	
	4	6412/1122-4801-0100-11	224817	31	14.150	
Design size	4					
Ambient temperature	-35 °C ... +55 °C Note: Through wiring max. 12 A					
Lamp wattage	Number of lamps	Product Type	Art. No.	PS	Weight kg	
36 W	2	6412/1114-2851-0100-11	226444	31	20.400	
	4	6412/1124-4851-0100-11	226459	31	24.730	
Design size	6					
Ambient temperature	-30 °C ... +50 °C Note: Through wiring max. 12 A					
Lamp wattage	Number of lamps	Product Type	Art. No.	PS	Weight kg	
58 W	2	6412/1116-2851-0100-11	226445	31	24.780	
	4	6412/1126-4851-0100-11	226460	31	30.030	

Cable glands (2 x M25 Ø 7 – 17 mm) and stopping plugs (1 x M25 x 1.5) made from moulded material are included loose with the product (installation required)."

The light fittings are supplied without lamps or mounting material.
To use the product as a recessed light fitting, a special recessed installation frame is required (in addition to the mounting material).
These parts must be ordered as accessories (see page 319).

You can find variants made of stainless steel online at r-stahl.com. WebCode 6412B

Technical Data

Explosion Protection

IECEX gas explosion protection	Ex nA IIC T4 Gc
IECEX dust explosion protection	Ex tb / tc IIIC T80 °C Db
ATEX gas explosion protection	Ⓔ II 3 G Ex nA IIC T4 Gc
ATEX dust explosion protection	Ⓔ II 2 D Ex tb ... tc IIIC T80 °C Db
Certificates	ATEX (BVS), IECEX (BVS)

Electrical Data

Rated operational voltage AC	220 – 240 V
Rated operational voltage DC	220 – 240 V
Frequency range	50 – 60 Hz

Lighting Data

Lamp	G13 lamp base
------	---------------

Mechanical Data

Degree of protection IP (IEC 60598)	IP66
Protection class	I (with inner PE connection)
Enclosure material	Sheet steel, Powder-coated
Sealing material	Silicone
Lens material	Safety glass
Installed terminal strip	PE + N + L1
Connection terminals solid max.	4 mm ²
Type of connection cable	Finely stranded Solid
Enclosure colour	White, RAL 9016
Notes	Connection terminals: Spring clamp terminal

Components

Address module	Without
Through wiring	Without
Material cable gland	Polyamide, black

Accessories see page 319

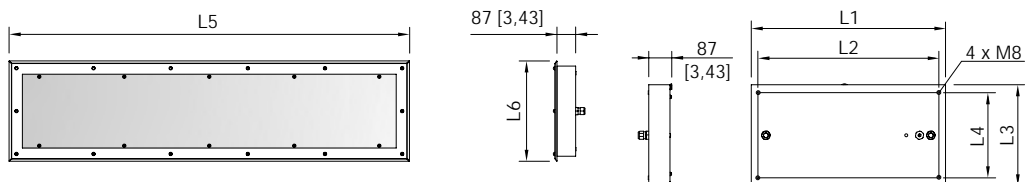
Dimensional Drawing see page 313

Linear Luminaire for Fluorescent Lamps

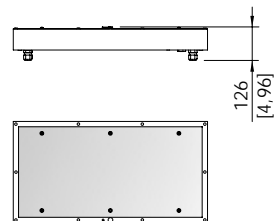
Series 6012/1, 6412/1 made of Sheet Steel or Stainless Steel
Dimensional Drawings



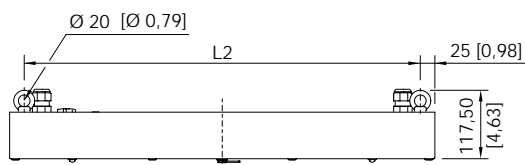
Dimensional Drawings (All Dimensions in mm [inches]) – Subject to Alterations



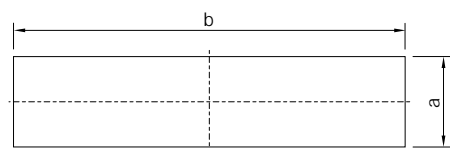
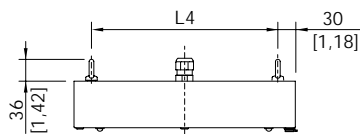
with flushing frame



without flushing frame



Suspension with ring bolts



Mounting Cut-Out

Lamps	2	4	2	4	2	4	2	4	2	4	2	4	2	4	2	4
	L1		L2		L3		L4		L5		L6		a		b	
Size 2	730 [28.74]		670 [26.38]						722 [28.43]						740 [29.13]	
Size 4	1340 [52.76]		1280 [50.39]		380 [14.96]	480 [18.90]	320 [12.60]	420 [16.54]	1382 [54.41]		422 [16.61]	522 [16.61]	390 [15.35]	422 [16.61]	1350 [53.15]	
Size 6	1640 [64.57]		1580 [62.20]						1682 [66.22]						1650 [64.96]	

E2



- Can be used in Zones 1, 2, 21 and 22
- Central lock for opening and closing the luminaire, featuring safety switch that disconnects power supply at all poles when luminaire opened
- Enclosure made from powder-coated sheet steel or stainless steel

WebCode **6014B**



The 6014 series explosion-protected linear luminaires have two or four fluorescent lamps and are suited to applications such as lighting spray and paint lines. You will find that their robust construction means that they require minimal maintenance. With the right accessories, these high-quality luminaires are easy to install in a wide variety of different ways in no time at all.

	ATEX / IECEx					
Zone	0	1	2	20	21	22
Installation in		•	•		•	•

E2

Selection Table					
Design size	2				
Ambient temperature	-35 °C ... +60 °C Note: Through wiring max. 12 A				
Lamp wattage	Number of lamps	Product Type	Art. No.	PS	Weight kg
18 W	2	6014/1112-2901-1100-11	223105	31	13.110
Design size	4				
Ambient temperature	-35 °C ... +60 °C Note: Through wiring max. 12 A				
Lamp wattage	Number of lamps	Product Type	Art. No.	PS	Weight kg
36 W	2	6014/1114-2951-1100-11	224787 ▲	31	21.520
	4	6014/1124-4951-1100-11	226345	31	24.480
Design size	6				
Ambient temperature	-35 °C ... +50 °C Note: Through wiring max. 12 A				
Lamp wattage	Number of lamps	Product Type	Art. No.	PS	Weight kg
58 W	2	6014/1116-2951-1100-11	226333	31	25.770
	4	6014/1126-4951-1100-11	226362	31	29.320

Cable glands (2 x M25 Ø 7 – 17 mm) and stopping plugs (1 x M25 x 1.5) made from moulded material are included loose with the product (installation required).*

The light fittings are supplied without lamps or mounting material.

To use the product as a recessed light fitting, a special recessed installation frame is required (in addition to the mounting material).

These parts must be ordered as accessories (see page 319).

Varianten aus Edelstahl finden Sie im Internet unter r-stahl.com. WebCode 6014B

Linear Luminaire for Fluorescent Lamps

Series 6014/1 made of Sheet Steel or Stainless Steel



Technical Data	
Explosion Protection	
IECEX gas explosion protection	Ex de IIC T4 Gb
IECEX dust explosion protection	Ex tb IIIC T80 °C Db
ATEX gas explosion protection	Ⓔ II 2 G Ex de IIC T4 Gb
ATEX dust explosion protection	Ⓔ II 2 D Ex tb IIIC T80 °C Db
EAC gas explosion protection	Ⓔ 1 Ex d e IIC T4 Gb X
EAC dust explosion protection	Ⓔ Ex tb IIIC T80°C Db X
Certificates	ATEX (BVS), EAC (TehnoP), IECEX (BVS), India (PESO)
Electrical Data	
Rated operational voltage AC	220 – 240 V
Rated operational voltage DC	220 – 240 V
Frequency range	50 – 60 Hz
Lighting Data	
Lamp	G13 lamp base
Mechanical Data	
Degree of protection IP (IEC 60598)	IP65
Protection class	I (with inner PE connection)
Enclosure material	Sheet steel, Powder-coated
Sealing material	Silicone
Lens material	Safety glass
Installed terminal strip	PE + N + L1
Connection terminals solid max.	4 mm ²
Type of connection cable	Solid Finely stranded
Enclosure colour	White, RAL 9016
Notes	Connection terminals: Spring clamp terminal
Components	
Address module	Without
Through wiring	Without
Drilled holes	3 x M25
Material cable gland	Polyamide, black
Accessories see page 319	
Dimensional drawings see page 318	

E2



- Can be used in Zones 2, 21 and 22
- Central lock for opening and closing the luminaire
- Enclosure made from powder-coated sheet steel or stainless steel

WebCode **6414B**



The 6414 series explosion-protected linear luminaires have two or four fluorescent lamps and are suited to applications such as lighting spray and paint lines. You will find that their robust construction means that they require minimal maintenance. With the right accessories, these high-quality luminaires are easy to install in a wide variety of different ways in no time at all.

	ATEX / IECEx					
Zone	0	1	2	20	21	22
Installation in			•		•	•

E2

Selection Table					
Design size	2				
Ambient temperature	-30 °C ... +50 °C Note: Through wiring max. 12 A				
Lamp wattage	Number of lamps	Product Type	Art. No.	PS	Weight kg
18 W	2	6414/1112-2801-0100-11	224804	31	11.710
	4	6414/1122-4801-0100-11	224807	31	12.470
Design size	4				
Ambient temperature	-30 °C ... +50 °C Note: Through wiring max. 12 A				
Lamp wattage	Number of lamps	Product Type	Art. No.	PS	Weight kg
36 W	2	6414/1114-2851-0100-11	226411	31	20.120
	4	6414/1124-4851-0100-11	226428	31	21.730
Design size	6				
Ambient temperature	-30 °C ... +50 °C Note: Through wiring max. 12 A				
Lamp wattage	Number of lamps	Product Type	Art. No.	PS	Weight kg
58 W	2	6414/1116-2851-0100-11	226412	31	24.370
	4	6414/1126-4851-0100-11	226430	31	26.370

Cable glands (2 x M25 Ø 7 – 17 mm) and stopping plugs (1 x M25 x 1.5) made from moulded material are included loose with the product (installation required).*

The light fittings are supplied without lamps or mounting material.

To use the product as a recessed light fitting, a special recessed installation frame is required (in addition to the mounting material).

These parts must be ordered as accessories (see page 319).

You can find variants made of stainless steel online at r-stahl.com. WebCode 6414B

Linear Luminaire for Fluorescent Lamps

Series 6414/1 made of Sheet Steel or Stainless Steel



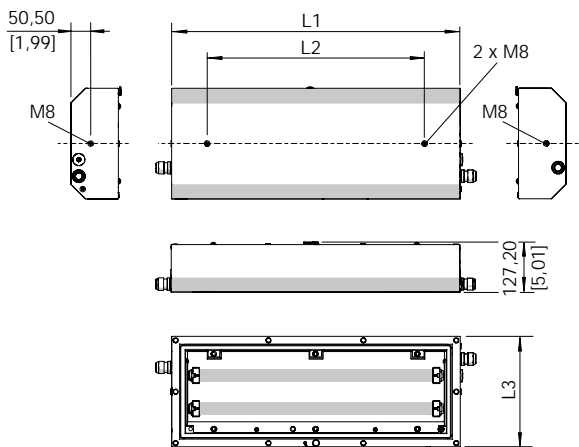
Technical Data	
Explosion Protection	
IECEX gas explosion protection	Ex nA IIC T4 Gc
IECEX dust explosion protection	Ex tb / tc IIIC T80 °C Db
ATEX gas explosion protection	Ⓔ II 3 G Ex nA IIC T4 Gc
ATEX dust explosion protection	Ⓔ II 2 D Ex tb ... tc IIIC T80 °C Db
Certificates	ATEX (BVS), IECEX (BVS)
Electrical Data	
Rated operational voltage AC	220 – 240 V
Rated operational voltage DC	220 – 240 V
Frequency range	50 – 60 Hz
Lighting Data	
Lamp	G13 lamp base
Mechanical Data	
Degree of protection IP (IEC 60598)	IP65
Protection class	I (with inner PE connection)
Enclosure material	Sheet steel, Powder-coated
Sealing material	Silicone
Lens material	Safety glass
Installed terminal strip	PE + N + L1
Connection terminals solid max.	4 mm ²
Type of connection cable	Finely stranded Solid
Enclosure colour	White, RAL 9016
Notes	Connection terminals: Spring clamp terminal
Components	
Through wiring	Without
Material cable gland	Polyamide, black
Accessories see page 319	
Dimensional drawings see page 318	

E2

Linear Luminaire for Fluorescent Lamps

Series 6014/1, 6414/1 made of Sheet Steel or Stainless Steel
Dimensional Drawings

Dimensional Drawings (All Dimensions in mm [inches]) – Subject to Alterations


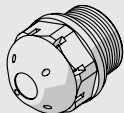
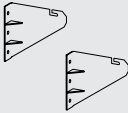
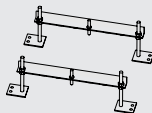
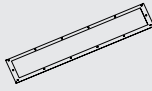


Lamps	2	4	2	4	2	4
	L1		L2		L3	
Size 2	733 [28.9]		550 [21.7]		280 [11.0]	380 [15.0]
Size 4	1343 [52.9]		950 [37.4]			
Size 6	1643 [64.7]		1250 [49.27]			

Linear Luminaire for Fluorescent Lamps

Series 6012, 6014, 6412, 6414 Accessories and Spare Parts

STAHL

Accessories				
Figure	Description	Art. No.	PS	Weight kg
Ring bolt				
	M8, direct mounting in insert nuts; 1 pair	115736 ▲	Z3	0.115
Breather				
	Thread: M25 x 1.5; 1 pc; for installation in lights; in moulded material; without counter nut	138573 ▲	Z1	0.010
	Thread: M25 x 1.5; 20 pc; for installation in lights; in moulded material; without counter nut	138576 ▲	Z1	0.200
Mounting set wall				
	For 280-mm- and 380-mm-wide versions; 6.12 series light fittings Material: Powder-coated sheet steel	226711	Z3	1.277
	for version with 380 mm width	226699	Z3	3.807
	for version with 280 mm width	226700	Z3	1.733
Mounting set for recessed mounting in ceiling or wall				
	for Version 380 mm width	230081	Z3	1.868
	for Version 280 mm width	230082	Z3	1.644
Flushing frame for recessed mounting in ceiling or wall with provide IP66				
	for size 2 standard luminaire with 280 mm width made of sheet steel powder coated	226551	Z3	2.859
	for size 2 standard luminaire with 280 mm width made of stainless steel SS316L (V4A 1.4404)	226553	Z3	2.899
	for size 4 standard luminaire with 280 mm width made of sheet steel powder coated	226554	Z3	4.213
	for size 4 standard luminaire with 280 mm width made of stainless steel SS316L (V4A 1.4404)	226556	Z3	4.283
	for size 6 standard luminaire or size 4 emergency luminaire with 280 mm width made of sheet steel powder coated	226557	Z3	4.711
	for size 6 standard luminaire or size 4 emergency luminaire with 280 mm width made of stainless steel SS316L (V4A 1.4404)	226559	Z3	4.781
	for size 2 standard luminaire with 380 mm width made of sheet steel powder coated	226560	Z3	3.025
	for size 2 standard luminaire with 380 mm width made of stainless steel SS316L (V4A 1.4404)	226562	Z3	3.075
	for size 4 standard luminaire with 380 mm width made of sheet steel powder coated	226563	Z3	4.371
	for size 4 standard luminaire with 380 mm width made of stainless steel SS316L (V4A 1.4404)	226565	Z3	4.441
	for size 6 standard luminaire with 380 mm width made of sheet steel powder coated	226566	Z3	4.871
	for size 6 standard luminaire with 380 mm width made of stainless steel SS316L (V4A 1.4404)	226568	Z3	4.951
	for size 2 standard luminaire with 480 mm width made of sheet steel powder coated	226569	Z3	3.190
	for size 2 standard luminaire with 480 mm width made of stainless steel SS316L (V4A 1.4404)	226571	Z3	3.240
	for size 4 standard luminaire with 480 mm width made of sheet steel powder coated	226572	Z3	4.544
	for size 4 standard luminaire with 480 mm width made of stainless steel SS316L (V4A 1.4404)	226574	Z3	4.614

E2

Accessories

Figure	Description	Art. No.	PS	Weight kg
Cover frame to provide IP66				
	for size 2 standard luminaire with 280 mm width made of sheet steel powder coated	245950	Z3	2.329
	for size 2 standard luminaire with 280 mm width made of stainless steel SS316L (V4A 1.4404)	245972	Z3	2.359
	for size 4 standard luminaire with 280 mm width made of sheet steel powder coated	245973	Z3	3.383
	for size 4 standard luminaire with 280 mm width made of stainless steel SS316L (V4A 1.4404)	245975	Z3	3.433
	for size 6 standard luminaire or size 4 emergency luminaire with 280 mm width made of sheet steel powder coated	245976	Z3	3.731
	for size 6 standard luminaire or size 4 emergency luminaire with 280 mm width made of stainless steel SS316L (V4A 1.4404)	245978	Z3	3.781
	for size 2 standard luminaire with 380 mm width made of sheet steel powder coated	245979	Z3	2.445
	for size 2 standard luminaire with 380 mm width made of stainless steel SS316L (V4A 1.4404)	245981	Z3	2.475
	for size 4 standard luminaire with 380 mm width made of sheet steel powder coated	245982	Z3	3.499
	for size 4 standard luminaire with 380 mm width made of stainless steel SS316L (V4A 1.4404)	245984	Z3	3.549
	for size 6 standard luminaire with 380 mm width made of sheet steel powder coated	245985	Z3	3.851
	for size 6 standard luminaire with 380 mm width made of stainless steel SS316L (V4A 1.4404)	245987	Z3	3.911

Spare Parts

Figure	Description	Art. No.	PS	Weight kg
Fluorescent lamp				
	18 W, 1350 lm	108952 ▲	E3	0.100
	36 W, 3350 lm	108951 ▲	E3	0.200
	58 W, 5200 lm	108950 ▲	E3	0.220
Lamp holder				
	G13 Ex e lamp holder for light fittings with T8 fluorescent lamps for use in Zone 1	117252 ▲	E3	0.036
	G13 lamp holder for light fittings with T8 fluorescent lamps for use in Zone 2 and for industrial applications (x 100 units)	107275	E3	0.008
Contact element				
	8080/1-3-L 2 NC contact element	132527	E3	0.026

E2

Emergency Luminaire for Fluorescent Lamps

Series 6018/1 made of Sheet Steel or Stainless Steel

STAHL



- For use in Zones 1, 2, 21 and 22
- Enclosure made from powdercoated sheet steel or stainless steel
- Central lock for opening and closing the luminaire plus a safety switch that disconnects the power supply at all poles when the luminaire is opened
- With weekly functional test and annual emergency lighting light duration test

WebCode **6018B**



The safety light made of 6018/1 series sheet steel is used for emergency lighting and suitable for use in spraying and painting systems. The battery powers the emergency lighting over 1.5 or 3 hours. In case of a defective lamp, the luminaire switches to the working lamp. In operation, their robust construction means that they require minimal maintenance. With the right accessories, these high-quality luminaires are easy to install in a wide variety of ways in no time at all.

	ATEX / IECEx					
Zone	0	1	2	20	21	22
Installation in		•	•		•	•

E2

Selection Table

Version	Standard				
Design size	Lamp wattage	Product Type	Art. No.	PS	Weight kg
2	18 W	6018/1112-2961-1710-711	267777	31	14.760
4	36 W	6018/1114-2961-1720-711	267778	31	22.660

Cable glands and Stopping plug made from moulded material are included loose with the product (installation required).

The light fittings are supplied without lamps or mounting material.

To use the product as a recessed light fitting, a special recessed installation frame is required (in addition to the mounting material).

Mounting frames must be ordered as accessories (see page 325).

You can find variants made of stainless steel online at r-stahl.com. WebCode 6018B

Technical Data

Explosion Protection	
IECEx gas explosion protection	Ex eb db mb IIC T4 Gb
IECEx dust explosion protection	Ex tb IIIC T80 °C Db
ATEX gas explosion protection	Ⓔ II 2 G Ex eb db mb IIC T4 Gb
ATEX dust explosion protection	Ⓔ II 2 D Ex tb IIIC T80 °C Db
Certificates	ATEX (BVS), IECEx (BVS)
Electrical Data	
Rated operational voltage AC	220 – 240 V
Battery operating voltage	6 V
Battery capacity	7 Ah

Technical Data

Electrical Data

Frequency range	50 – 60 Hz
Self-test function	With (standard)

Ambient Conditions

Ambient temperature	-20 °C ... +50 °C Note: Through wiring max. 16 A
---------------------	--

Lighting Data

Number of lamps	2
Lamp	G13 lamp base
Emergency light duration	1,5 / 3 h (emergency light)

Mechanical Data

Degree of protection (IP)	IP65
Enclosure material	Sheet steel, Powder-coated
Sealing material	Silicone foam gasket
Lens material	Safety glass
Material translucent cover	Hardened glass
Installed terminal strip	PE + N + L1 + L2 + L3 + L´
Connection terminals solid max.	4 mm ²
Connection terminals finely-stranded max.	4 mm ²
Enclosure colour	White, RAL 9016

Components

Threaded plate	2x SS316L stainless steel
Through wiring	With 6 conductors 2.5 mm ²
Drilled holes	3 x M20
Cable glands	Can be ordered as accessories
Stopping plug	1 x M20

Accessories and spare parts see 325

Dimensional drawing see page 326

Emergency Luminaire for Fluorescent Lamps

Series 6418/1 made of Sheet Steel or Stainless Steel

STAHL



- For use in Zones 2, 21 and 22
- Enclosure made from powdercoated sheet steel or stainless steel
- Central lock for opening and closing the luminaire plus a safety switch that disconnects the power supply at all poles when the luminaire is opened
- With weekly functional test and emergency lighting light duration test every six months

WebCode **6418A**



The safety light made of 6418/1 series sheet steel is used for emergency lighting and suitable for use in spraying and painting systems. The battery powers the emergency lighting for over 1.5 hours. In case of a defective lamp, it is disconnected. In operation, their robust construction means that they require minimal maintenance. With the right accessories, these high-quality luminaires are easy to install in a wide variety of ways in no time at all

	ATEX / IECEx					
Zone	0	1	2	20	21	22
Installation in			•		•	•

E2

Selection Table							
Design size	2						
Lamp wattage	18 W						
Drilled holes	Cable glands	Stopping plug	Threaded plate	Product Type	Art. No.	PS	Weight kg
3 x M20	Can be ordered as accessories	1 x M20	2x SS316L stainless steel	6418/1112-2964-1610-711	267767	31	12.690
3 x M25	2 x M25 x 1.5	1 x M25	2x plastic	6418/1112-2965-1610-711	267763	31	12.690
Design size	4						
Lamp wattage	36 W						
Drilled holes	Cable glands	Stopping plug	Threaded plate	Product Type	Art. No.	PS	Weight kg
3 x M20	Can be ordered as accessories	1 x M20	2x SS316L stainless steel	6418/1114-2964-1710-711	267768	31	20.590
3 x M25	2 x M25 x 1.5	1 x M25	2x plastic	6418/1114-2965-1710-711	267764	31	20.590

Cable glands and Stopping plug made from moulded material are included loose with the product (installation required).

The light fittings are supplied without lamps or mounting material.
To use the product as a recessed light fitting, a special recessed installation frame is required (in addition to the mounting material).

Mounting frames must be ordered as accessories (see page 325).

You can find variants made of stainless steel online at r-stahl.com. WebCode 6418A

Technical Data	
Explosion Protection	
IECEx gas explosion protection	Ex nA IIC T4 Gc
IECEx dust explosion protection	Ex tb IIIC T80 °C Db

Technical Data

Explosion Protection

ATEX gas explosion protection	II 3 G Ex nA IIC T4 Gc
ATEX dust explosion protection	II 2 D Ex tb IIIC T80 °C Db

Certificates	ATEX (BVS), IECEx (BVS)
--------------	-------------------------

Electrical Data

Rated operational voltage AC	220 – 240 V
Battery operating voltage	6 V
Battery capacity	4 Ah
Frequency range	50 – 60 Hz
Self-test function	With (standard)

Ambient Conditions

Ambient temperature	-20 °C ... +50 °C (Note: Through wiring max. 16 A) -20 °C ... +50 °C
---------------------	---

Lighting Data

Number of lamps	2
Lamp	G13 lamp base
Emergency light duration	1,5 h

Mechanical Data

Degree of protection (IP)	IP65
Enclosure material	Sheet steel, Powder-coated
Sealing material	Silicone foam gasket
Lens material	Safety glass
Material translucent cover	Hardened glass
Installed terminal strip	PE + N + L1 + L2 + L3 + L´
Connection terminals solid max.	4 mm ²
Connection terminals finely-stranded max.	4 mm ²
Enclosure colour	White, RAL 9016

Components

Through wiring	With 6 conductors 2.5 mm ²
----------------	---------------------------------------

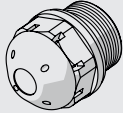

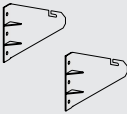
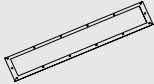
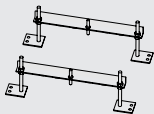
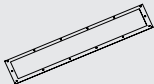
Accessories and spare parts see 325

Dimensional drawing see page 326



Emergency Luminaire for Fluorescent Lamps

Series 6018/1, 6418/1 made of Sheet Steel or Stainless Steel
Accessories and Spare Parts

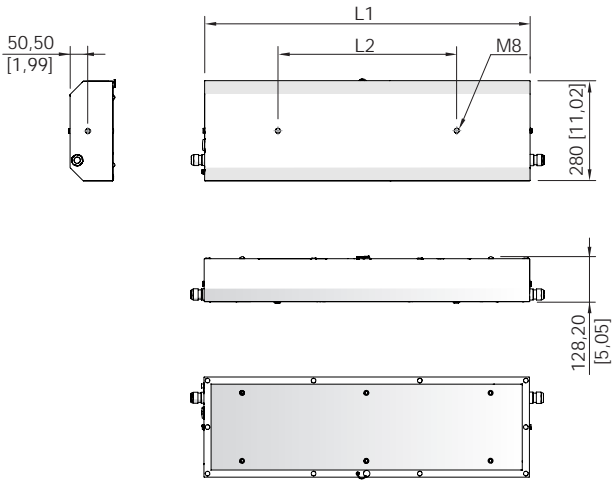
STAHL

Accessories				
Figure	Description	Art. No.	PS	Weight kg
Breather				
	Thread: M25 x 1.5; 1 pc; for installation in lights; in moulded material; without counter nut	138573 ▲	Z1	0.010
	Thread: M25 x 1.5; 20 pc; for installation in lights; in moulded material; without counter nut	138576 ▲	Z1	0.200
Ring bolt				
	M8, direct mounting in insert nuts; 1 pair	115736 ▲	Z3	0.115
Mounting set wall				
	for version with 280 mm width	226700	Z3	1.733
Cover frame to provide IP66				
	for 280 mm width made of sheet steel powder coated	245988	Z3	2.249
	for 280 mm width made of stainless steel SS316L (V4A 1.4404)	245990	Z3	2.279
	for size 6 standard luminaire or size 4 emergency luminaire with 280 mm width made of sheet steel powder coated	245976	Z3	3.731
	for size 6 standard luminaire or size 4 emergency luminaire with 280 mm width made of stainless steel SS316L (V4A 1.4404)	245978	Z3	3.781
Mounting set for recessed mounting in ceiling or wall				
	for Version 280 mm width	230082	Z3	1.644
Flushing frame for recessed mounting in ceiling or wall with provide IP66				
	for 280 mm width made of sheet steel powder coated	226579	Z3	3.153
	for 280 mm width made of stainless steel SS316L (V4A 1.4404)	226581	Z3	3.203
	for size 6 standard luminaire or size 4 emergency luminaire with 280 mm width made of sheet steel powder coated	226557	Z3	4.711
	for size 6 standard luminaire or size 4 emergency luminaire with 280 mm width made of stainless steel SS316L (V4A 1.4404)	226559	Z3	4.781

E2

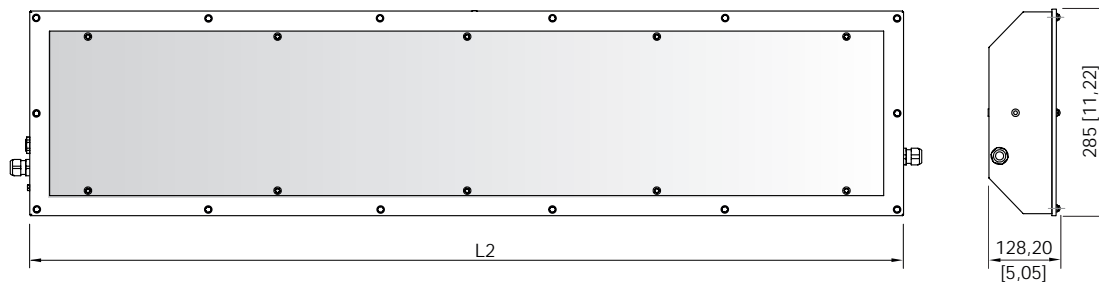
Spare Parts				
Figure	Description	Art. No.	PS	Weight kg
Fluorescent lamp				
	18 W, 1350 lm	108952 ▲	E3	0.100
	36 W, 3350 lm	108951 ▲	E3	0.200
Battery set				
	NiCd battery, gas-tight; 7 Ah / 6 V	118013 ▲	E3	0.500

Dimensional Drawings (All Dimensions in mm [inches]) – Subject to Alterations



Light Fitting universal for IP65

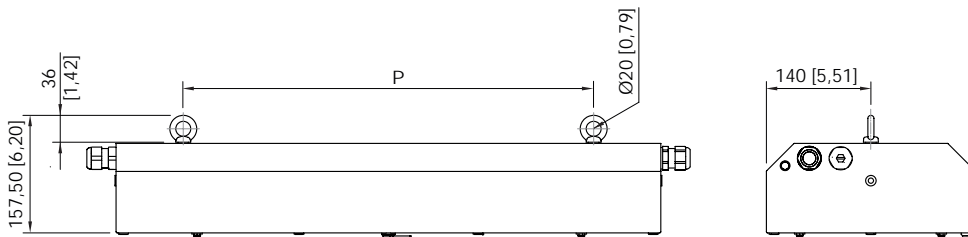
	18 W	36 W
L1	910 [35.83]	1640 [64.57]
L2	500 [19.69]	1250 [49.21]



E2

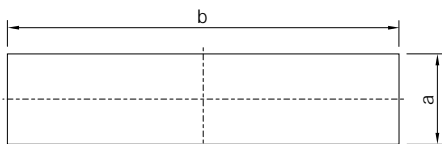
Luminaire wall or ceiling mounting with frame for IP66

	18 W	36 W
L2	915 [36.02]	1645 [64.76]



Mounting with ring bolts

	18 W	36 W
P	500 [19.69]	1250 [49.21]

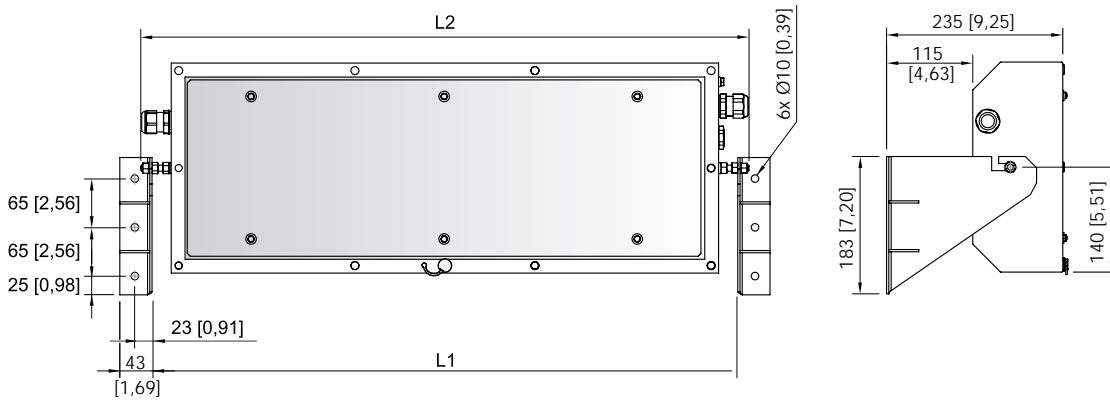


Mounting cut-out

	18 W	36 W
a	290 [11.42]	290 [11.42]
b	920 [36.22]	1650 [64.96]

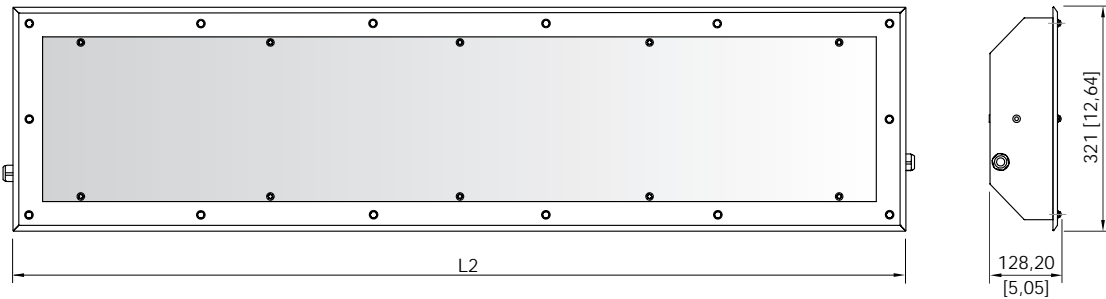
Emergency Luminaire for Fluorescent Lamps

Series 6018/1, 6418/1 made of Sheet Steel or Stainless Steel
Dimensional Drawings



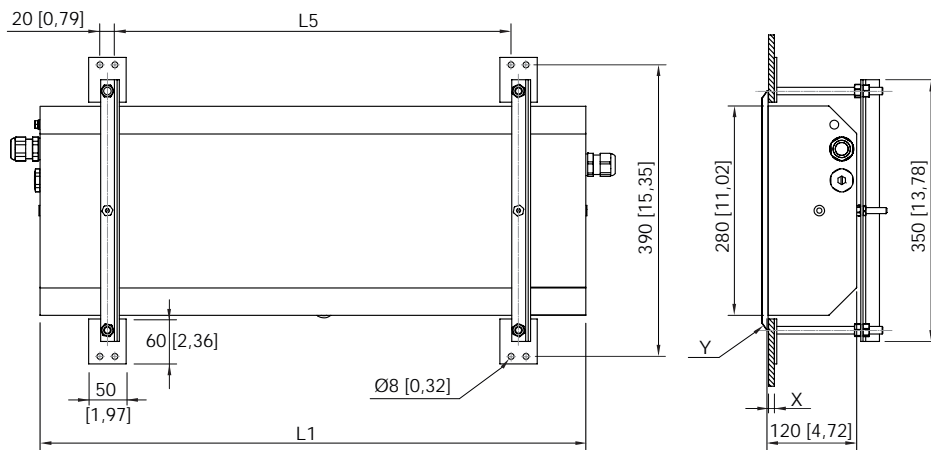
Mounting on wall or ceiling

	18 W	36 W
L1	961 [37.83]	1691 [66.57]
L2	991 [39.02]	1721 [67.76]



Luminaire universal with mounting frame for IP66

	18 W	36 W
L2	951 [37.44]	1681 [66.18]

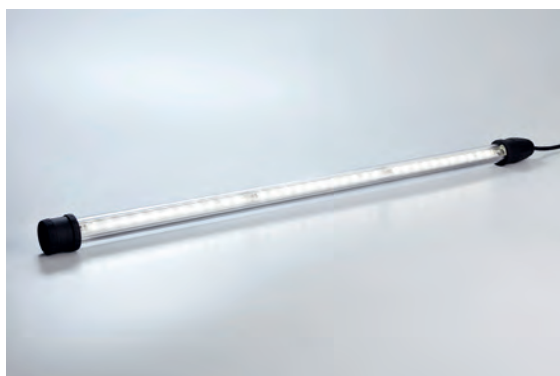


Mounting on wall or ceiling

	18 W	36 W
L1	910 [35.83]	1640 [64.57]
L5	480 [18.90]	1230 [48.43]

X - ceiling clamp for X = 10 [0.39] ... 125 [4.92]
Y - mounting frame can be ordered as accessories

E2



- Degree of protection IP66 and IP68
- Type of protection Ex d
- Vibration-resistant, lightweight, robust (impact strength rating of IK10) and maintenance-free
- Many light fittings can be connected to single miniature circuit breaker due to incredibly low start-up current

WebCode **6036A**



The 6036 series compact LED tubular light fitting is ideal for general lighting applications and for use as machine lighting, even in relatively inaccessible places with very little space. This light boasts a long service life of up to 100,000 hours thanks to its use of energy-efficient LED technology, coupled with electronics that have been developed in-house by R. STAHL. Due to its robust construction, it can withstand extreme temperatures of between -55 °C and +60 °C.

	ATEX / IECEx					
Zone	0	1	2	20	21	22
Installation in		•	•		•	•

Selection Table

Design size	1						
Cable length	2.5 m						
Rated operational voltage AC	24 – 48 V						
Rated operational voltage DC	24 – 48 V						
Gas temperature class	T4						
Dust maximum surface temperature	100 °C						
Ambient temperature	-40 °C ... +70 °C						
Light colour	Diffuser	Luminaire efficacy	Luminous flux	Product Type	Art. No.	PS	Weight kg
Blue	With diffuser	27 lm/W	338 lm	6036/1212-053-0121-17	263762	64	1.000
Green	With diffuser	53 lm/W	671 lm	6036/1212-053-0121-14	262509	64	1.000
Neutral white	With diffuser	104 lm/W	1396 lm	6036/1212-453-0121-11	274308	64	1.000
Red	With diffuser	45 lm/W	475 lm	6036/1212-053-0121-16	262510	64	1.000
Design size	1						
Cable length	2.5 m						
Rated operational voltage AC	110 – 240 V						
Rated operational voltage DC	110 – 240 V						
Gas temperature class	T4						
Dust maximum surface temperature	100 °C						
Ambient temperature	-30 °C ... +70 °C						
Light colour	Diffuser	Luminaire efficacy	Luminous flux	Product Type	Art. No.	PS	Weight kg
Blue	With diffuser	27 lm/W	338 lm	6036/1212-055-0121-17	263763	64	1.000
Green	With diffuser	53 lm/W	671 lm	6036/1212-055-0121-14	262541	64	1.000
Neutral white	With diffuser	104 lm/W	1396 lm	6036/1212-455-0121-11	274268	64	1.000
Red	With diffuser	45 lm/W	475 lm	6036/1212-055-0121-16	262542	64	1.000

Selection Table							
Design size		1					
Cable length		2.5 m					
Rated operational voltage DC		12 V					
Gas temperature class		T4					
Dust maximum surface temperature		100 °C					
Ambient temperature		-40 °C ... +40 °C					
Light colour	Diffuser	Luminaire efficacy	Luminous flux	Product Type	Art. No.	PS	Weight kg
Neutral white	With diffuser	104 lm/W	1396 lm	6036/1212-452-0121-11	274365	64	1.000
Design size		1					
Cable length		5 m					
Rated operational voltage AC		24 – 48 V					
Rated operational voltage DC		24 – 48 V					
Gas temperature class		T4					
Dust maximum surface temperature		100 °C					
Ambient temperature		-40 °C ... +70 °C					
Light colour	Diffuser	Luminaire efficacy	Luminous flux	Product Type	Art. No.	PS	Weight kg
Neutral white	With diffuser	104 lm/W	1396 lm	6036/1212-453-0151-11	274309	64	1.310
Design size		1					
Cable length		5 m					
Rated operational voltage AC		110 – 240 V					
Rated operational voltage DC		110 – 240 V					
Gas temperature class		T4					
Dust maximum surface temperature		100 °C					
Ambient temperature		-30 °C ... +70 °C					
Light colour	Diffuser	Luminaire efficacy	Luminous flux	Product Type	Art. No.	PS	Weight kg
Neutral white	With diffuser	104 lm/W	1396 lm	6036/1212-455-0151-11	274310	64	1.310
Design size		1					
Cable length		5 m					
Rated operational voltage DC		12 V					
Gas temperature class		T4					
Dust maximum surface temperature		100 °C					
Ambient temperature		-40 °C ... +40 °C					
Light colour	Diffuser	Luminaire efficacy	Luminous flux	Product Type	Art. No.	PS	Weight kg
Neutral white	With diffuser	104 lm/W	1396 lm	6036/1212-452-0151-11	274366	64	1.300
Design size		2					
Cable length		5 m					
Rated operational voltage AC		220 – 240 V					
Rated operational voltage DC		209 – 240 V					
Gas temperature class		T4					
Dust maximum surface temperature		100 °C					
Ambient temperature		-50 °C ... +60 °C (Energise above -40 °C)					
Light colour	Diffuser	Luminaire efficacy	Luminous flux	Product Type	Art. No.	PS	Weight kg
Neutral white	With diffuser	112 lm/W	2847 lm	6036/1225-450-0151-11	274207	64	1.730
	Cylinder optics 20°x160°	111 lm/W	2834 lm	6036/1225-450-0151-31	272547	64	1.800
	Batwing lense	109 lm/W	2768 lm	6036/1225-450-0151-41	272550	64	1.900
Design size		3					
Cable length		5 m					
Rated operational voltage AC		220 – 240 V					
Rated operational voltage DC		209 – 240 V					
Gas temperature class		T4					
Dust maximum surface temperature		100 °C					
Ambient temperature		-55 °C ... +60 °C (Energise above -40 °C)					
Light colour	Diffuser	Luminaire efficacy	Luminous flux	Product Type	Art. No.	PS	Weight kg
Neutral white	With diffuser	116 lm/W	4266 lm	6036/1235-450-0151-11	274227	64	2.090
	Cylinder optics 20°x160°	115 lm/W	4246 lm	6036/1235-450-0151-31	272548	64	2.100
	Batwing lense	113 lm/W	4147 lm	6036/1235-450-0151-41	272551	64	2.200

E2

Selection Table

Design size	4
Cable length	5 m
Rated operational voltage AC	220 – 240 V
Rated operational voltage DC	209 – 240 V
Gas temperature class	T4
Dust maximum surface temperature	100 °C
Ambient temperature	-55 °C ... +60 °C (Energise above -40 °C)

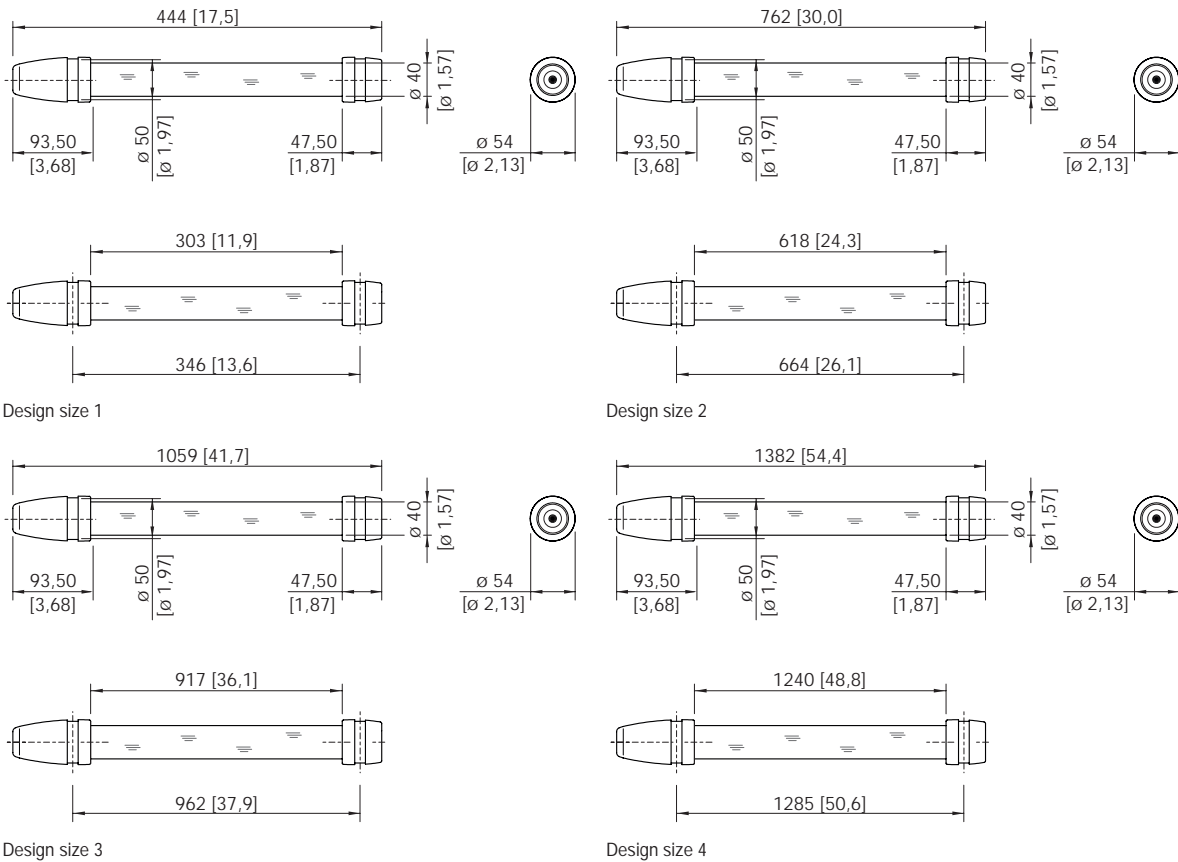
Light colour	Diffuser	Luminaire efficacy	Luminous flux	Product Type	Art. No.	PS	Weight kg
Neutral white	With diffuser	116 lm/W	5575 lm	6036/1248-450-0151-11	274247	64	2.440
	Cylinder optics 20°x160°	116 lm/W	5549 lm	6036/1248-450-0151-31	272549	64	2.500
	Batwing lense	112 lm/W	5419 lm	6036/1248-450-0151-41	272552	64	2.700

The tubular light fitting is delivered without plug.
Specify the plug on order (see Accessories and Spare Parts) or connect in a terminal box.
The tubular light fitting is delivered without mounting material.

Technical Data

Variant	Design size 1	Design size 2	Design size 3	Design size 4
Explosion Protection				
IECEX gas explosion protection	Ex db op is IIC T.. Gb	Ex db op is IIC T.. Gb	Ex db op is IIC T.. Gb	Ex db op is IIC T.. Gb
IECEX dust explosion protection	Ex tb IIIC T.. Db	Ex tb IIIC T.. Db	Ex tb IIIC T.. Db	Ex tb IIIC T.. Db
ATEX gas explosion protection	⊕ II 2 G Ex db op is IIC T.. Gb	⊕ II 2 G Ex db op is IIC T.. Gb	⊕ II 2 G Ex db op is IIC T.. Gb	⊕ II 2 G Ex db op is IIC T.. Gb
ATEX dust explosion protection	⊕ II 2 D Ex tb IIIC T.. Db	⊕ II 2 D Ex tb IIIC T.. Db	⊕ II 2 D Ex tb IIIC T.. Db	⊕ II 2 D Ex tb IIIC T.. Db
Certificates	ATEX (BVIS), Brazil (ULB), China (NEPSI), IECEx (BVIS), India (PESO)	ATEX (BVIS), Brazil (ULB), China (NEPSI), IECEx (BVIS), India (PESO), Korea (KTL)	ATEX (BVIS), Brazil (ULB), China (NEPSI), IECEx (BVIS), India (PESO)	ATEX (BVIS), Brazil (ULB), China (NEPSI), IECEx (BVIS), India (PESO)
Ship approval	GL	GL	GL	GL
Notes	For temperature classes and surface temperatures, see selection table			
Electrical Data				
Frequency range	50 – 60 Hz	50 – 60 Hz	50 – 60 Hz	50 – 60 Hz
Ambient Conditions				
Storage temperature	-40 °C ... +70 °C	-40 °C ... +70 °C	-40 °C ... +70 °C	-40 °C ... +70 °C
Lighting Data				
Lamp wattage	13 W	28 W	37 W	48 W
Colour rendering	≥ 80	≥ 80	≥ 80	≥ 80
Note	Values apply to T _a = +25 °C			
Colour temperature	5000 K	5000 K	5000 K	5000 K
Notes	warm white: 4000 K neutral white: 5000 K cold white: 6500 K			
Mechanical Data				
Degree of protection (IP)	IP66 / IP67	IP66 / IP67	IP66 / IP67	IP66 / IP67
Degree of protection IP (IEC 60598)	IP66 / IP68 (10 m / 60 min)	IP66 / IP68 (10 m / 60 min)	IP66 / IP68 (10 m / 60 min)	IP66 / IP68 (10 m / 60 min)
Protection class	II (double insulated)	II (double insulated)	II (double insulated)	II (double insulated)
Enclosure material	Polycarbonate	Polycarbonate	Polycarbonate	Polycarbonate
Pipe material	Polycarbonate	Polycarbonate	Polycarbonate	Polycarbonate
Impact strength (IK code)	IK10 (IEC 62262)	IK10 (IEC 62262)	IK10 (IEC 62262)	IK10 (IEC 62262)
Type of connection cable	H07RN-F 2x1.5 mm ²	H07RN-F 2x1.5 mm ²	H07RN-F 2x1.5 mm ²	H07RN-F 2x1.5 mm ²
Notes	Additional cable types available: H07RN-F, BFOU P5-P12, Radox MFH-S B, (N)SSHÖU, HXSLHXÖ-J			

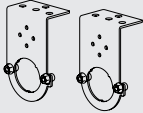



Dimensional Drawings (All Dimensions in mm [inches]) – Subject to Alterations



E2

Accessories

Figure	Description	Art. No.	PS	Weight kg
Plug				
	8573/12-200 2 pins, 20 ... 25 V, 50 / 60 Hz, 16 A	243197 ▲	10	0.300
	8573/12-210 2 pins, 20 ... 25 V, DC, 16 A	243203 ▲	10	0.300
	8573/12-300 3 pins, 20 ... 25 V, 50 / 60 Hz, 16 A	243190 ▲	10	0.300
	8573/12-312 3 pins, 40 ... 50 V, 50 / 60 Hz, 16 A	243195	10	0.300
	8570/12-304 3 pins, 100 ... 130 V AC, 50 / 60 Hz, 16 A	150599	10	0.331
	8570/12-306 3 pins, 200 ... 250 V AC, 50 / 60 Hz, 16 A	150579	10	0.331
Mounting bracket				
	Mounting bracket made of galvanised sheet steel to screw onto thread M8 or M10 (2 pieces)	227256	Z3	0.190
	Mounting bracket made of stainless steel V4A to screw onto thread M8 or M10 (2 pieces)	227257	Z3	0.180
	Double mounting bracket made of plastic for mounting of pipes with a diameter of 45 ... 55 mm (Screws and nuts made of stainless steel V2A) (2 pieces)	254932	Z3	0.800
	Set of mounting plate Art. no. 254494 and mounting bracket Art. no. 252940	248100	Z3	0.850

Accessories				
Figure	Description	Art. No.	PS	Weight kg
Mounting bracket				
	Mounting bracket made of stainless steel V4A for fastening on surfaces (2 pieces)	252940	Z3	0.600
	Mounting bracket made from galvanised sheet steel (x 2 units); for design size 1	120535 ▲	Z3	0.048
	Mounting plate made of stainless steel V4A for terminal box Ex e Series 8010 (for example Art. No. 130724) for fastening on mounting bracket Art. No. 252940	254494	Z3	0.700
Mounting bracket and magnet				
	Mounting bracket made from galvanised sheet steel with magnetic base (x 2 units); for design size 1	120536 ▲	Z3	0.100



- Ultra light, ultra compact
- High lighting efficiency
- Additional extreme ambient temperature range

WebCode **6050C**



The 6050/6 universal spotlight is equipment used for lighting areas, work equipment and objects. It can be used indoors and outdoors. The clear lens is available in a matted version to limit the glare. Using an internal reflector, the universal spotlight can be adapted as a narrow beam, wide beam or a medium-wide beam to suit the lighting task.

	ATEX / IECEx					
Zone	0	1	2	20	21	22
Installation in		•	•		•	•

E2

Selection Table								
Lamp wattage		20 W						
Version	Interfaces	Reflector	Protective glass version	Product Type	Art. No.	PS	Weight kg	
Pendant light fitting	-	No	clear	6050/604-202-6B2-000850-000	265418	64	6.750	
		No	frosted	6050/604-202-6B2-200850-000	267555	64	6.750	
Lamp wattage		40 W						
Version	Interfaces	Reflector	Protective glass version	Product Type	Art. No.	PS	Weight kg	
Pendant light fitting	-	No	frosted	6050/604-400-6B2-200850-000	267466	64	6.750	
Pendant light fitting with ring eyes	DALI	No	clear	6050/604-401-7B2-000850-002	272493	64	6.860	
		Yes	clear	6050/604-401-7B2-008850-002	272495	64	6.860	
Pendant light fitting with wall bracket	-	Yes	clear	6050/604-400-6B2-008850-001	267221	64	8.230	
		DALI	No	clear	6050/604-401-7B2-000850-001	272489	64	8.230
			Yes	clear	6050/604-401-7B2-008850-001	272491	64	8.230
Lamp wattage		60 W						
Version	Interfaces	Reflector	Protective glass version	Product Type	Art. No.	PS	Weight kg	
Pendant light fitting	-	No	frosted	6050/604-600-6B2-200850-000	269440	64	6.860	

Selection Table

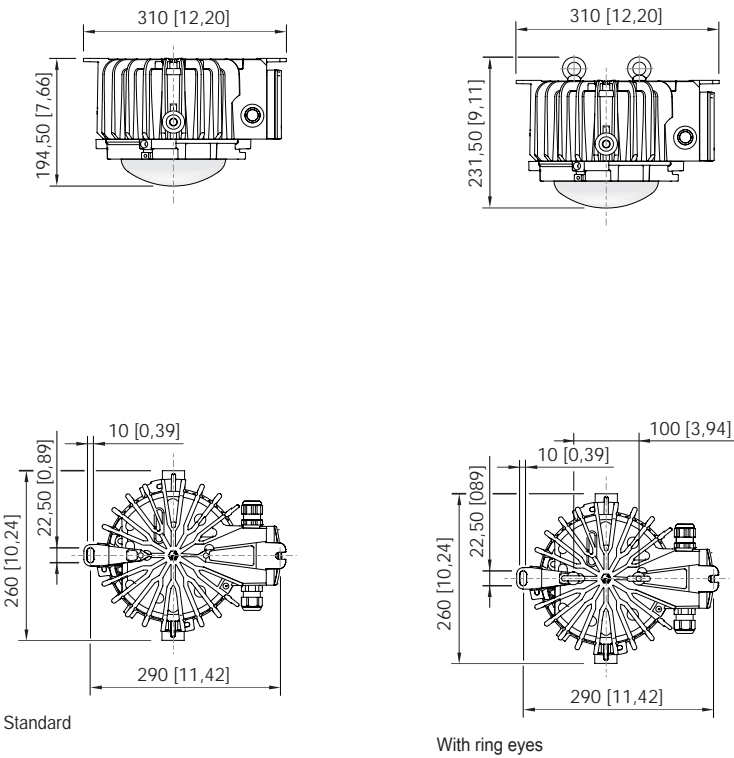
Lamp wattage 60 W							
Version	Interfaces	Reflector	Protective glass version	Product Type	Art. No.	PS	Weight kg
Pendant light fitting with ring eyes	-	No	clear	6050/604-600-6B2-000850-002	265428	64	6.860
		Yes	clear	6050/604-600-6B2-008850-002	265430	64	6.860
	DALI	No	clear	6050/604-601-7B2-000850-002	272484	64	6.860
		Yes	clear	6050/604-801-7B2-008850-002	272486	64	6.860
Pendant light fitting with wall bracket	-	No	clear	6050/604-600-6B2-000850-001	265420	64	8.230
		Yes	clear	6050/604-600-6B2-008850-001	265422	64	8.230
	DALI	No	clear	6050/604-601-7B2-000850-001	272480	64	8.230
		Yes	clear	6050/604-601-7B2-008850-001	272482	64	8.230
Lamp wattage 80 W							
Version	Interfaces	Reflector	Protective glass version	Product Type	Art. No.	PS	Weight kg
Pendant light fitting with ring eyes	DALI	No	clear	6050/604-801-7B2-000850-002	270017	64	6.860
		Yes	clear	6050/604-801-7B2-008850-002	270018	64	6.860
Pendant light fitting with wall bracket	DALI	No	clear	6050/604-801-7B2-000850-001	270015	64	8.230
		Yes	clear	6050/604-801-7B2-008850-001	270016	64	8.230

Technical Data

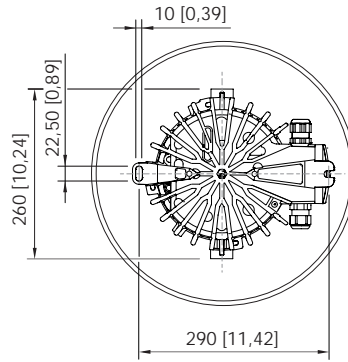
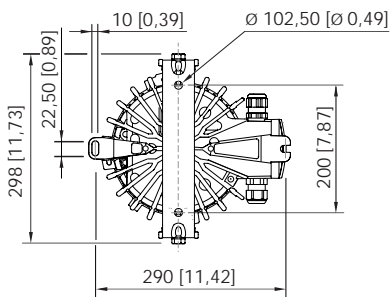
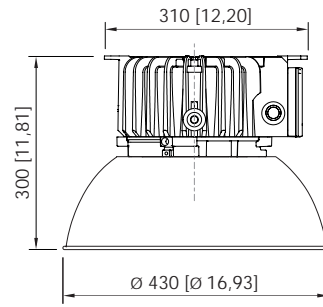
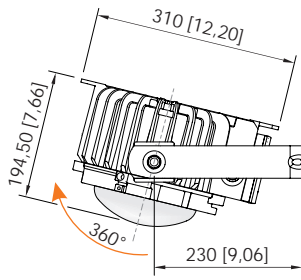
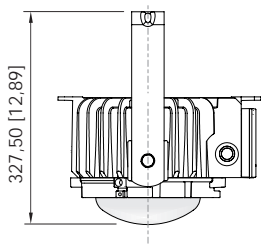
Variant	20 W	40 W	60 W	80 W
Explosion Protection				
IECEX gas explosion protection	Ex db eb op is IIC T4 Gb	Ex db eb op is IIC T4 Gb	Ex db eb op is IIC T4 Gb	Ex db eb op is IIC T4 Gb
IECEX dust explosion protection	Ex tb op is IIIC T110 °C Db	Ex tb op is IIIC T110 °C Db	Ex tb op is IIIC T110 °C Db	Ex tb op is IIIC T110 °C Db
ATEX gas explosion protection	Ⓜ II 2 G Ex db eb op is IIC T4 Gb	Ⓜ II 2 G Ex db eb op is IIC T4 Gb	Ⓜ II 2 G Ex db eb op is IIC T4 Gb	Ⓜ II 2 G Ex db eb op is IIC T4 Gb
ATEX dust explosion protection	Ⓜ II 2 D Ex tb op is IIIC T110 °C Db	Ⓜ II 2 D Ex tb op is IIIC T110 °C Db	Ⓜ II 2 D Ex tb op is IIIC T110 °C Db	Ⓜ II 2 D Ex tb op is IIIC T110 °C Db
EAC gas explosion protection	Ⓜ 1 Ex d e op is IIC T4 Gb	Ⓜ 1 Ex d e op is IIC T4 Gb	Ⓜ 1 Ex d e op is IIC T4 Gb	Ⓜ 1 Ex d e op is IIC T4 Gb
EAC dust explosion protection	Ⓜ Ex tb op is IIIC T110 °C Db	Ⓜ Ex tb op is IIIC T110 °C Db	Ⓜ Ex tb op is IIIC T110 °C Db	Ⓜ Ex tb op is IIIC T110 °C Db
Certificates	ATEX (BVIS), China (CQST), EAC (Sertium), IECEX (BVIS), India (PESO)	ATEX (BVIS), China (CQST), EAC (Sertium), IECEX (BVIS), India (PESO)	ATEX (BVIS), China (CQST), EAC (Sertium), IECEX (BVIS), India (PESO)	ATEX (BVIS), China (CQST), EAC (Sertium), IECEX (BVIS), India (PESO)
Electrical Data				
Rated operational voltage AC	220 – 240 V	220 – 240 V	220 – 240 V	220 – 240 V
Nominal current	0.07 – 0.07 A	0.2 – 0.2 A	0.28 – 0.28 A	0.36 – 0.36 A
Frequency range	50 – 60 Hz	50 – 60 Hz	50 – 60 Hz	50 – 60 Hz
Ambient Conditions				
Ambient temperature	-40 °C ... +60 °C	-40 °C ... +70 °C	-40 °C ... +70 °C	-40 °C ... +70 °C
Lighting Data				
Number of lamps	1	1	1	1
Lamp	LED	LED	LED	LED
Light colour	Neutral white	Neutral white	Neutral white	Neutral white
Luminaire efficacy	122 lm/W	127 lm/W	122 lm/W	113 lm/W
Luminous flux	2000 lm	5100 lm	7400 lm	8800 lm

Technical Data				
Variant	20 W	40 W	60 W	80 W
Lighting Data				
Colour rendering	≥ 80	≥ 80	≥ 80	≥ 80
Colour temperature	5000 K	5000 K	5000 K	5000 K
Mechanical Data				
Degree of protection (IP)	IP66 / IP68 (10 m)	IP66 / IP68 (10 m)	IP66 / IP68 (10 m)	IP66 / IP68 (10 m)
Enclosure material	Aluminium, Seawater-resistant	Aluminium, Seawater-resistant	Aluminium, Seawater-resistant	Aluminium, Seawater-resistant
Sealing material	Silicone	Silicone	Silicone	Silicone
Connection terminals solid max.	6 mm ²	6 mm ²	6 mm ²	6 mm ²
Connection terminals finely-stranded max.	4 mm ²	4 mm ²	4 mm ²	4 mm ²
Type of connection cable	Finely stranded Solid finely-stranded with clip	Finely stranded Solid finely-stranded with clip	Finely stranded Solid finely-stranded with clip	Solid Finely stranded finely-stranded with clip
Design size	1	1	1	1
Components				
Cable glands	1 x M25 x 1.5	1 x M25 x 1.5	1 x M25 x 1.5	1 x M25 x 1.5
Stopping plug	1 x M25 x 1.5	1 x M25 x 1.5	1 x M25 x 1.5	1 x M25 x 1.5
Wire guard	No	No	No	No

Dimensional Drawings (All Dimensions in mm [inches]) – Subject to Alterations

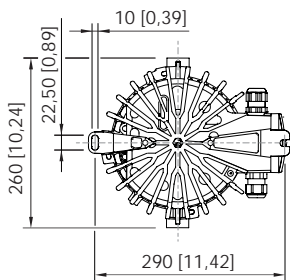
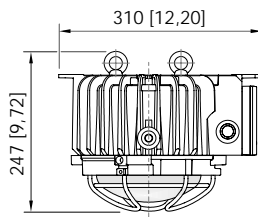
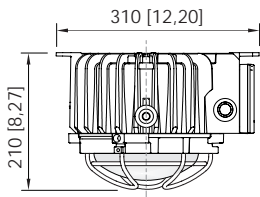


E2

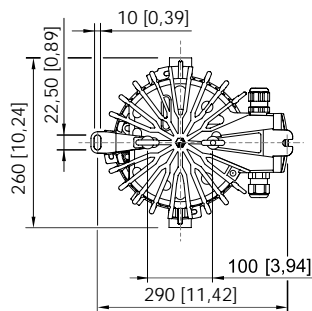


With antiglare device

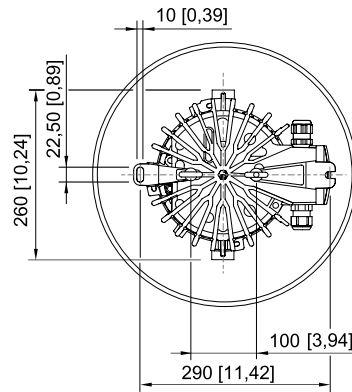
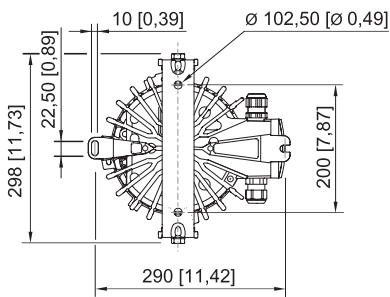
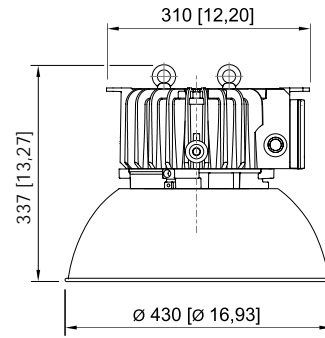
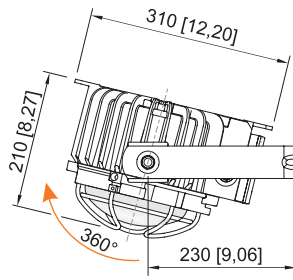
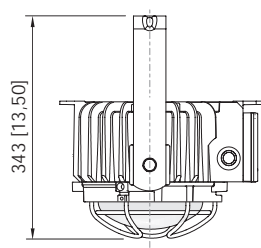
With mounting bracket



With wire guard

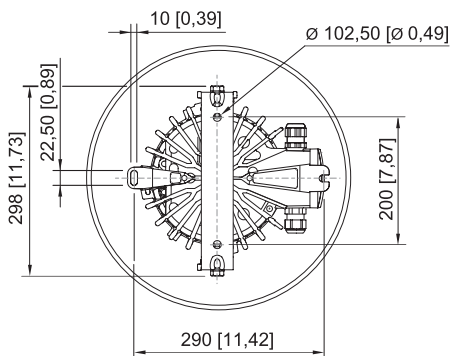
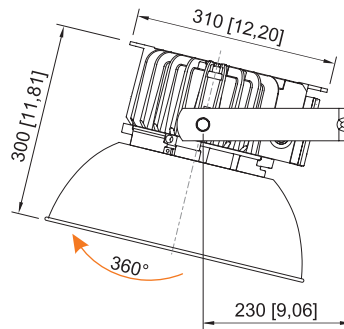
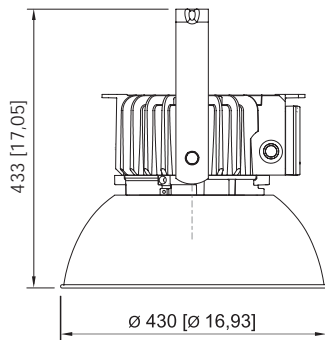


With wire guard and ring eyes



With wire guard and mounting bracket

With antiglare device and ring eyes



With antiglare device and mounting bracket

E2



- Low maintenance and long service life with gas discharge lamps
- Suspended by means of ring bolts or pivoting mounting brackets
- Zones 1, 2, 21 and 22
- Size 1 has IP68 level of protection (10 m)

WebCode **6050A**



A variety of lamp types and power outputs, as well as additional reflectors, make the 6050 series pendant light fitting a versatile choice. A seawater-resistant cast aluminium enclosure is available for use in marine environments. There is also the option to add a highly resistant coating. The ultra safe integrated terminal box takes all the hard work out of connecting the electrics of the pendant light, which is housed in a flame-proof enclosure.

E2

	ATEX / IECEx					
Zone	0	1	2	20	21	22
Installation in		•	•		•	•

Selection Table								
Design size	1							
Version	Pendant light fitting with ring eyes							
Lamp wattage	Lamp	Gas temperature class	Dust maximum surface temperature	Ambient temperature °C	Product Type	Art. No.	PS	Weight kg
50 W	HSE	T5	100 °C	-60 ... +40 °C	6050/1111-30511-000-1	221910	61	13.000
70 W	HSE	T4	100 °C	-60 ... +50 °C	6050/1111-30711-000-1	218059	61	13.000
150 W	HIE	T4	125 °C	-60 ... +40 °C	6050/1111-21511-000-1	218058	61	14.500
Design size	3							
Version	Pendant light fitting with ring eyes							
Lamp wattage	Lamp	Gas temperature class	Dust maximum surface temperature	Ambient temperature °C	Product Type	Art. No.	PS	Weight kg
150 W	HSE	T5	96 °C	-25 ... +50 °C	6050/3111-31521-000-1	226884	61	24.000
250 W	HSE	T4	108 °C	-25 ... +40 °C	6050/3111-22521-000-1	218060	61	24.000
	HSE	T4	108 °C	-25 ... +40 °C	6050/3111-32521-000-1	226885	61	24.000
400 W	HIE	T4	127 °C	-25 ... +40 °C	6050/3111-24021-000-1	219081	61	28.000
	HSE	T4	120 °C	-25 ... +40 °C	6050/3111-34021-000-1	218371	61	26.500

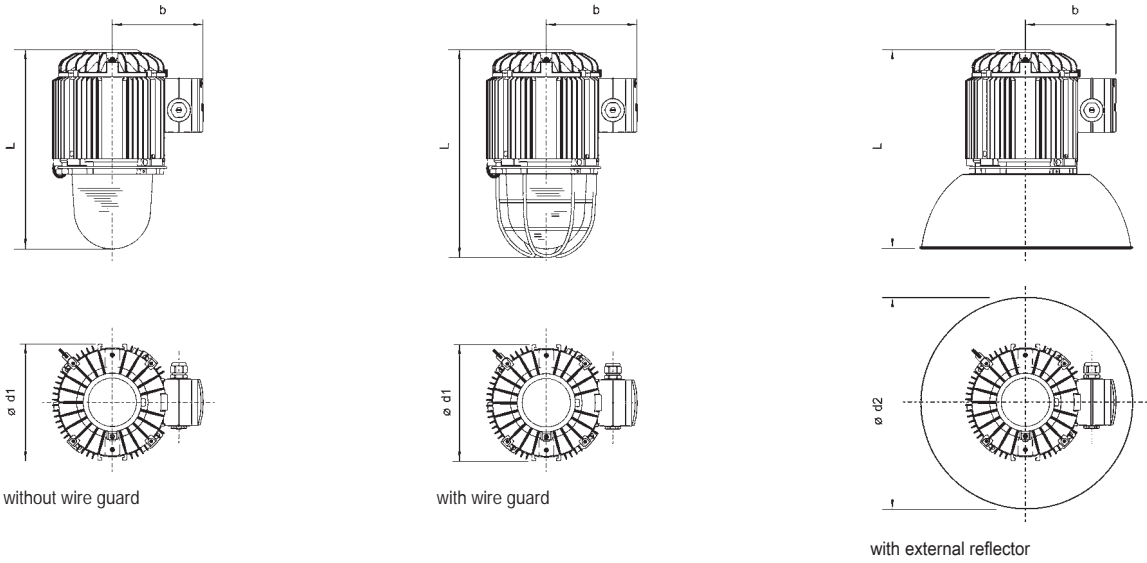
Lamp type: HIE = metal halide lamp
HSE = high-pressure sodium vapour lamp

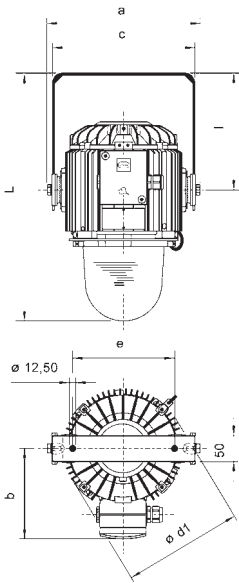
Technical Data		
Variant	Design size 1	Design size 3
Explosion Protection		
IECEx gas explosion protection	Ex db eb IIC T.. Gb	Ex db eb IIC T.. Gb

Technical Data		
Variant	Design size 1	Design size 3
Explosion Protection		
IECEx dust explosion protection	Ex tb IIIC T.. Db	Ex tb IIIC T.. Db
ATEX gas explosion protection	⊕ II 2 G Ex db eb IIC T.. Gb	⊕ II 2 G Ex db eb IIC T.. Gb
ATEX dust explosion protection	⊕ II 2 D Ex tb IIIC T.. Db	⊕ II 2 D Ex tb IIIC T.. Db
EAC gas explosion protection	⊕ 1 Ex d e IIC T3...T6 Gb ⊕ 1 Ex d IIC T3...T6 Gb	⊕ 1 Ex d e IIC T3...T6 Gb ⊕ 1 Ex d IIC T3...T6 Gb
EAC dust explosion protection	⊕ Ex tb IIIC T80°C...T154°C Db	⊕ Ex tb IIIC T80°C...T154°C Db
Certificates	ATEX (PTB), EAC (STV), IECEx (PTB), India (PESO)	ATEX (PTB), EAC (STV), IECEx (PTB), India (PESO)
Notes	For temperature classes and surface temperatures, see selection table	
Electrical Data		
Rated operational voltage AC	230 V	230 V
Frequency range	50 Hz	50 Hz
Compensation	With	With
Lighting Data		
Lamp type	High-pressure sodium vapour lamp	High-pressure sodium vapour lamp
Lamp holder	E27	E40
Mechanical Data		
Degree of protection (IP)	IP66 / IP68 (10 m)	IP66
Protection class	I (inner + outer PE)	I (inner + outer PE)
Enclosure material	Light metal	Light metal
Sealing material	Silicone	Silicone
Protective glass material	Thermally resistant Pressed glass	Thermally resistant Pressed glass
Connection terminals solid max.	4 mm ²	4 mm ²
Type of connection cable	Solid Finely stranded	Solid Finely stranded
Components		
Cable glands	1 x M25 x 1.5	1 x M25 x 1.5
Stopping plug	1 x M25 x 1.5	1 x M25 x 1.5
Wire guard	No	No
Accessories see page 341		

E2

Dimensional Drawings (All Dimensions in mm [inches]) – Subject to Alterations





with mounting bracket

	6050/1								6050/3							
	L	b	d1	d2	l	a	c	e	L	b	d1	d2	l	a	c	e
Without wire guard	392	178	236						530	240	360					
With wire guard	409	178	236						556	240	360					
With external reflector	392	178		440					534	240		760				
With mounting bracket	525	178	236		230	299	279	200	770	240	360		420	427	407	300

E2

Accessories				
Figure	Description	Art. No.	PS	Weight kg
Wire guard				
	Complete with mounting parts Material: steel wire, stainless steel for 6050/11	118554	Z3	0.560
	Complete with mounting parts Material: steel wire, stainless steel for 6050/31	118561	Z3	1.450
	Complete with mounting parts Material: steel wire, stainless steel for 6050/6	221774	Z3	0.450
External reflector				
	spot beam Complete with mounting parts Material: high-polished aluminium for 6050/11	118558 ▲	Z3	0.216
	broad beam Complete with mounting parts Material: high-polished aluminium for 6050/31	118572	Z3	0.670
Antiglare device / reflector				
	Complete with mounting parts Material: aluminium for 6050/11 and 6050/6	118565	Z3	0.150
Mounting bracket				
	Complete; stainless steel (for additional mounting) for 6050/11	118557 ▲	Z3	2.100
	Complete; stainless steel (for additional mounting) for 6050/31	118564	Z3	4.000
	Complete; stainless steel (for additional mounting) for 6050/6	265877	Z3	1.480
Single-point mounting				
	The stainless steel mounting fixture is fastened to the enclosure of the pendant light fitting series 6050/11 by means of two stainless steel screws M8.	118571	Z3	0.374
	The stainless steel mounting fixture is fastened to the enclosure of the pendant light fitting series 6050/31 by means of two stainless steel screws M8.	118574	Z3	0.600
	The stainless steel mounting fixture is fastened to the enclosure of the pendant light fitting series 6050/6 by means of two stainless steel screws M8.	269716	Z3	0.350
Ring bolt				
	M8, direct mounting in insert nuts; 1 pair	115736 ▲	Z3	0.115
	M10, direct mounting in insert nuts; 1 pair	118560 ▲	Z3	0.210
	M8, für 6050/6, direct mounting; 1 pair	265874	Z3	0.400

E2



- Pendant light fitting Zones 2, 21 and 22 with highly efficient LEDs
- Wide voltage range from 100 ... 277 V AC
- Optionally, with or without internal reflector for adjusting to the illumination task
- Low-maintenance due to long service life of up to 100,000 operating hours

WebCode 6470B

Due to the flexibility of the internal and external reflector, the LED 6470/5 pendant light fitting can take care of any lighting task. The cleverly designed combination of electronic driver and high-performance LED guarantees a long service life, high efficiency and enables use in the input voltage range of 100 V to 277 V AC. The universal cover with integrated fixing holes enables pendant and ceiling mounting. Another cover enables pole and wall mounting.

	ATEX / IECEx					
Zone	0	1	2	20	21	22
Installation in			•		•	•

Selection Table

Reflector	No					
Luminous flux	8000 lm					
Luminaire efficacy	100 lm/W					
Version	Cable glands	Product Type	Art. No.	PS	Weight kg	
25° pole support	1 x 1 1/2" BSP for pole mounting	6470/5153-5081-1010-0	247350	64	8.400	
Ceiling or pendant light fitting	2 x M25 x 1.5 2 x M20 x 1.5	6470/5121-5081-1010-0	247346	64	8.250	
Wall-mounting light fitting	2 x M25 x 1.5 2 x M20 x 1.5	6470/5141-5081-1010-0	247348	64	9.150	
Reflector	Yes					
Luminous flux	7850 lm					
Luminaire efficacy	98 lm/W					
Version	Cable glands	Product Type	Art. No.	PS	Weight kg	
25° pole support	1 x 1 1/2" BSP for pole mounting	6470/5153-5081-1110-0	247481	64	8.400	
Ceiling or pendant light fitting	2 x M25 x 1.5 2 x M20 x 1.5	6470/5121-5081-1110-0	247347 ▲	64	8.250	
Wall-mounting light fitting	2 x M25 x 1.5 2 x M20 x 1.5	6470/5141-5081-1110-0	247349	64	9.150	

All versions can be installed directly. For the ceiling-mounted or pendant light fitting version, the appropriate bracket can be ordered as an accessory if you wish to install the light fitting using a bracket, or ring eyes can be ordered as accessories if you wish to suspend the light fitting. Cable glands are not supplied with the product. The openings are sealed with stopping plugs.

Technical Data

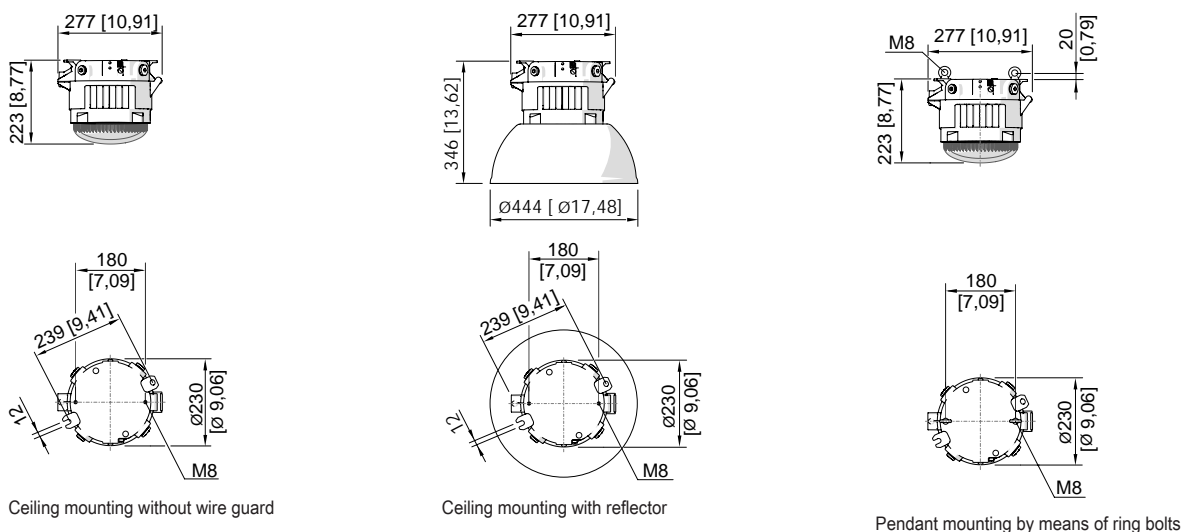
Explosion Protection

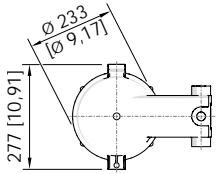
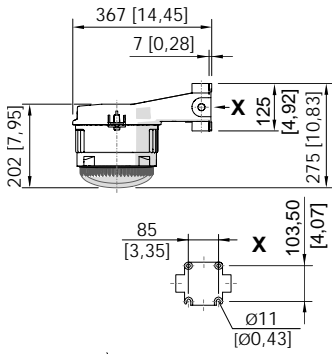
IECEx gas explosion protection Ex nR IIC T6 Gc

Technical Data	
Explosion Protection	
IECEX dust explosion protection	Ex tb IIIC T80 °C Db
ATEX gas explosion protection	Ⓔ II 3 G Ex nR IIC T6 Gc
ATEX dust explosion protection	Ⓔ II 2 D Ex tb IIIC T80 °C Db
EAC gas explosion protection	Ⓔ 2 Ex nR IIC T6 Gc X
EAC dust explosion protection	Ⓔ Ex tb IIIC T80°C Db X Ⓔ Ex te IIIC T80°C Dc X
Certificates	ATEX (PTB), EAC (Sertium), IECEX (PTB), India (PESO)
Notes	For temperature classes and surface temperatures, see selection table
Electrical Data	
Rated operational voltage AC	170 – 240 V
Frequency range	50 – 60 Hz
Ambient Conditions	
Ambient temperature	-40 °C ... +60 °C
Lighting Data	
Lamp wattage	80 W
Lamp	LED
Light colour	Cool white
Colour rendering	≥ 70
Colour temperature	5700 K
Mechanical Data	
Degree of protection (IP)	IP66
Protection class	I (with inner PE connection)
Enclosure material	Aluminium, Seawater-resistant
Sealing material	Silicone
Connection terminals solid max.	4 mm ²
Type of connection cable	Solid Finely stranded
Enclosure colour	Pebble grey similar to RAL 7032
Components	
Wire guard	No

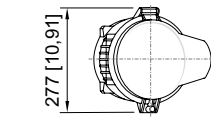
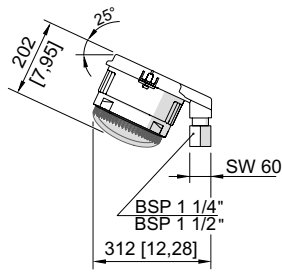
E2

Dimensional Drawings (All Dimensions in mm [inches]) – Subject to Alterations

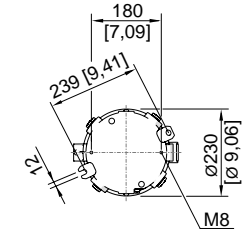
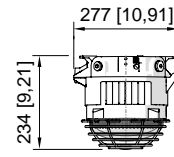




Wall mounting



Pole mounting



Ceiling mounting with wire guard



- Choice of power outputs, additional reflectors and different installation options offers flexibility
- Lamp types: High-pressure sodium-vapour lamps (HSE), halogen metal-vapour lamps (HIE), halogen bulbs (QT)
- Zones 2, 21 and 22

WebCode **6470C**



The 6470 series IECEx pendant light fitting is highly adaptable. A variety of lamp types and power outputs are available, as well as additional reflectors, to make this lamp the perfect choice, whatever the application. It can be suspended, wall-mounted, ceiling-mounted or installed directly on a suitable surface. With the addition of special covers, it can also be fitted directly to poles and walls. The powder-coated enclosure is made from seawater-resistant aluminium.

	ATEX / IECEx					
Zone	0	1	2	20	21	22
Installation in			•		•	•

E2

Selection Table								
Design size	1							
Version	25° pole support							
Lamp holder	E27							
Cable glands	Lamp	Lamp wattage	Gas temperature class	Dust maximum surface temperature	Product Type	Art. No.	PS	Weight kg
1 x 1 1/4" BSP for pole mounting	HIE	70 W	T4	112 °C	6470/2152-2071-100-2	237865	61	8.600
		100 W	T4	125 °C	6470/2152-2101-100-2	237871	61	8.600
		150 W	T3	147 °C	6470/2152-2151-100-2	237883	61	9.400
	HSE	70 W	T4	112 °C	6470/2152-3071-100-2	237859	61	9.400
Design size	1							
Version	Ceiling or pendant light fitting							
Lamp holder	E27							
Cable glands	Lamp	Lamp wattage	Gas temperature class	Dust maximum surface temperature	Product Type	Art. No.	PS	Weight kg
2 x M20 x 1.5 2 x M25 x 1.5	HIE	70 W	T4	112 °C	6470/2121-2071-100-2	237863	61	8.600
		100 W	T4	125 °C	6470/2121-2101-100-2	237869	61	8.400
		150 W	T3	147 °C	6470/2121-2151-100-2	237881	61	9.200
	HSE	70 W	T4	112 °C	6470/2121-3071-100-2	237857	61	8.300

Selection Table

Design size Version Lamp holder		1 Wall-mounting light fitting E27						
Cable glands	Lamp	Lamp wattage	Gas temperature class	Dust maximum surface temperature	Product Type	Art. No.	PS	Weight kg
2 x M20 x 1.5 2 x M25 x 1.5	HIE	70 W	T4	112 °C	6470/2141-2071-100-2	237864	61	9.000
		100 W	T4	125 °C	6470/2141-2101-100-2	237870	61	9.000
		150 W	T3	147 °C	6470/2141-2151-100-2	237882	61	9.900
	HSE	70 W	T4	112 °C	6470/2141-3071-100-2	237858	61	9.000
Design size Version Lamp holder		2 25° pole support E40						
Cable glands	Lamp	Lamp wattage	Gas temperature class	Dust maximum surface temperature	Product Type	Art. No.	PS	Weight kg
1 x 1 1/4" BSP for pole mounting	HSE	100 W	T4	117 °C	6470/2252-3102-100-2	237877	61	9.100
		150 W	T3	140 °C	6470/2252-3152-100-2	237889	61	9.100
	HIE HSE	250 W	T3	167 °C	6470/2252-6252-100-2	224252	61	9.960
Design size Version Lamp holder		2 Ceiling or pendant light fitting E40						
Cable glands	Lamp	Lamp wattage	Gas temperature class	Dust maximum surface temperature	Product Type	Art. No.	PS	Weight kg
2 x M20 x 1.5 2 x M25 x 1.5	HSE	100 W	T4	117 °C	6470/2221-3102-100-2	237875	61	8.700
		150 W	T3	140 °C	6470/2221-3152-100-2	237887	61	9.600
2 x M25 x 1.5 2 x M20 x 1.5	HSE HIE	250 W	T3	167 °C	6470/2221-6252-100-2	224250	61	9.700
Design size Version Lamp holder		2 Wall-mounting light fitting E40						
Cable glands	Lamp	Lamp wattage	Gas temperature class	Dust maximum surface temperature	Product Type	Art. No.	PS	Weight kg
2 x M20 x 1.5 2 x M25 x 1.5	HSE	100 W	T4	117 °C	6470/2241-3102-100-2	237876	61	9.400
		150 W	T3	140 °C	6470/2241-3152-100-2	237888	61	10.300
2 x M25 x 1.5 2 x M20 x 1.5	HSE HIE	250 W	T3	167 °C	6470/2241-6252-100-2	224251	61	10.400
Design size Version Lamp holder		3 Ceiling or pendant light fitting E40						
Cable glands	Lamp	Lamp wattage	Gas temperature class	Dust maximum surface temperature	Product Type	Art. No.	PS	Weight kg
2 x M20 x 1.5 2 x M25 x 1.5	HSE HIE	400 W	T3	162 °C	6470/2321-6402-100-2	224255	61	16.700
		250 W	T3	167 °C	6470/2321-6252-100-2	224254	61	14.000
Design size Version Lamp holder		3 Wall-mounting light fitting E40						
Cable glands	Lamp	Lamp wattage	Gas temperature class	Dust maximum surface temperature	Product Type	Art. No.	PS	Weight kg
2 x M25 x 1.5 2 x M20 x 1.5	HSE HIE	250 W	T3	167 °C	6470/2341-6252-100-2	224257	61	15.900
		400 W	T3	162 °C	6470/2341-6402-100-2	224258	61	18.600

All versions can be installed directly. For the ceiling-mounted or pendant light fitting version, the appropriate bracket can be ordered as an accessory if you wish to install the light fitting using a bracket, or ring eyes can be ordered as accessories if you wish to suspend the light fitting.

Cable glands are not supplied with the product. The openings are sealed with stopping plugs.

All variants with gas discharge lamps are compensated


Lamp type: HIE = metal halide lamp
HSE = high-pressure sodium vapour lamp

Technical Data


Explosion Protection



IECEX gas explosion protection Ex nR IIC T.. Gc

IECEX dust explosion protection Ex tb IIIC T.. Db

ATEX gas explosion protection  II 3 G Ex nR IIC T.. Gc

ATEX dust explosion protection  II 2 D Ex tb IIIC T.. Db

EAC gas explosion protection  2 Ex nR IIC T3...T6 Gc X

EAC dust explosion protection  Ex tc IIIC T75°C...T185°C Dc X
 Ex tb IIIC T75°C...T185°C Db X

Certificates ATEX (PTB), China (CQST), EAC (STV), IECEX (PTB), Taiwan (ITRI)

Notes For temperature classes and surface temperatures, see selection table

Electrical Data

Rated operational voltage AC 230 V

Frequency range 50 Hz

Ambient Conditions

Ambient temperature -30 °C ... +55 °C

Mechanical Data

Degree of protection (IP) IP66

Protection class I (PE connection)

Enclosure material Aluminium, Seawater-resistant

Sealing material Silicone

Protective glass material Thermally shock-resistant Borosilicate glass

Connection terminals solid max. 4 mm²

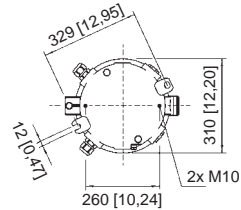
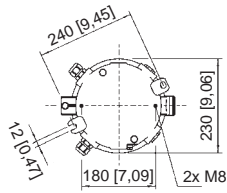
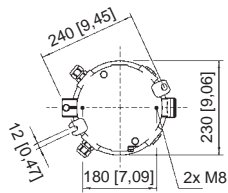
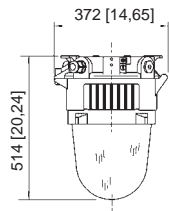
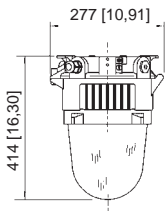
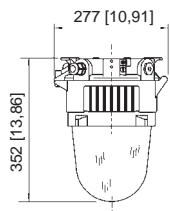
Type of connection cable Solid
Finely stranded

Enclosure colour Pebble grey similar to RAL 7032

Components

Wire guard No

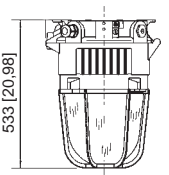
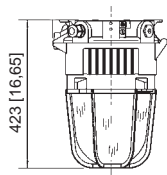
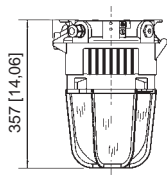
Dimensional Drawings (All Dimensions in mm [inches]) – Subject to Alterations



Pendant Light Fitting Size 1

Pendant Light Fitting Size 2

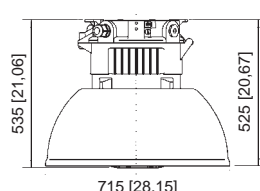
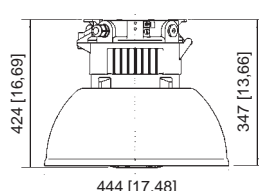
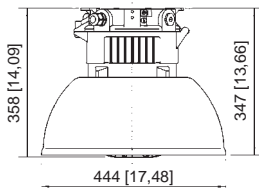
Pendant Light Fitting Size 3



Pendant Light Fitting Size 1 with wire guard

Pendant Light Fitting Size 2 with wire guard

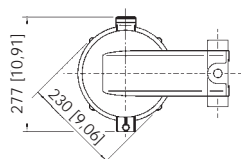
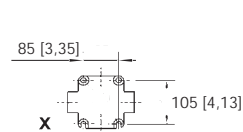
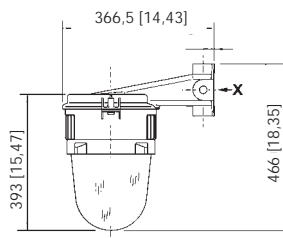
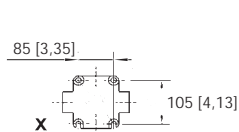
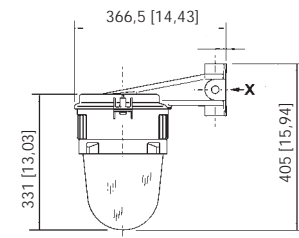
Pendant Light Fitting Size 3 with wire guard



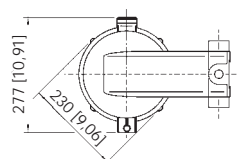
Pendant Light Fitting Size 1 with reflector

Pendant Light Fitting Size 2 with reflector

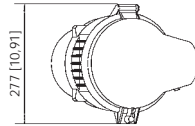
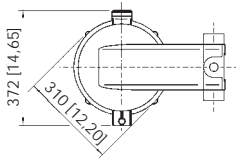
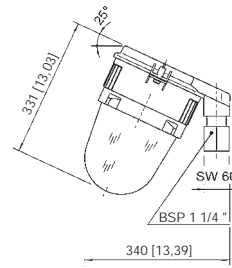
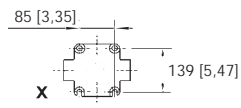
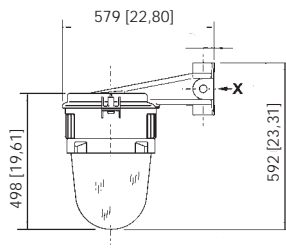
Pendant Light Fitting Size 3 with reflector



Pendant Light Fitting Size 1 wall mounting

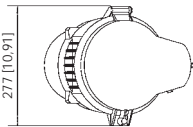
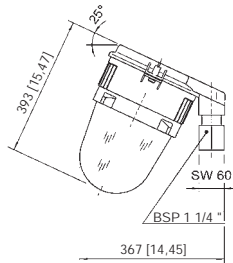


Pendant Light Fitting Size 2 wall mounting



Pendant Light Fitting Size 1 pole mounting BSP 1 1/4"

Pendant Light Fitting Size 3 wall mounting



Pendant Light Fitting Size 2 pole mounting BSP 1 1/4"

E2



- Floodlight Zones 1, 2, 21 and 22 with highly efficient LEDs
- Low-maintenance due to long service life of up to 100,000 operating hours

WebCode 6125A



The LED 6125 floodlight is ideal for lighting up areas from greater mounting heights. Three different light distribution types enable adjustment to fulfil the lighting task. The long service life of the highly efficient LEDs reduces energy and maintenance costs. This means that the floodlight can also be mounted in locations that are difficult to access. For normal application areas, the floodlight is designed with a single powder coating and a bracket made from single-coated sheet steel. There is also a variant with a double powder coating and double-coated bracket made of stainless steel 316L specifically for offshore areas.

E2

	ATEX / IECEx					
Zone	0	1	2	20	21	22
Installation in		•	•		•	•

Selection Table						
Lamp wattage		120 W				
Light distribution	Luminous flux	Luminaire efficacy	Product Type	Art. No.	PS	Weight kg
Medium-beam	12669 lm	105 lm/W	6125/1112-2331-5011-330	270966	64	23.077
Narrow-beam	12081 lm	101 lm/W	6125/1111-2331-5011-330	270962	64	23.077
Wide beam	11763 lm	98 lm/W	6125/1114-2331-5011-330	270970	64	23.077
Lamp wattage		210 W				
Light distribution	Luminous flux	Luminaire efficacy	Product Type	Art. No.	PS	Weight kg
Medium-beam	20966 lm	99 lm/W	6125/1112-4431-5011-330	270978	64	29.577
Narrow-beam	19979 lm	95 lm/W	6125/1111-4431-5011-330	270974	64	29.577
Wide beam	19658 lm	94 lm/W	6125/1114-4431-5011-330	270982	64	29.577



A cable entry and stopping plugs (both made from moulded material) come pre-installed.
Fastening variant "with bracket": The bracket is supplied with the product and comes pre-installed.

You can find variants made of sheet steel online at r-stahl.com WebCode 6125A

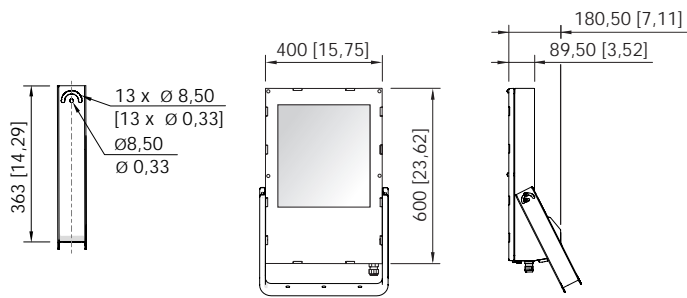
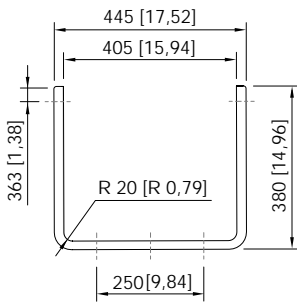
Technical Data	
Explosion Protection	
IECEx gas explosion protection	Ex db eb op is IIC T4 Gb
IECEx dust explosion protection	Ex tb op is IIIC T80 °C ... T95 °C Db
ATEX gas explosion protection	⊕ II 2 G Ex db eb op is IIC T4 Gb
ATEX dust explosion protection	⊕ II 2 D Ex tb op is IIIC T80 °C ... T95 °C Db

Technical Data	
Explosion Protection	
EAC gas explosion protection	Ex d IIC T4 Gb
EAC dust explosion protection	Ex tb IIIC T80°C/T95°C Db
Certificates	ATEX (BVIS), EAC (Sertium), IECEx (BVIS), India (PESO)
Electrical Data	
Rated operational voltage AC	220 – 240 V
Frequency range	50 – 60 Hz
Ambient Conditions	
Ambient temperature	-60 °C ... +60 °C
Storage temperature	-40 °C ... +75 °C
Lighting Data	
Lamp	LED
Colour rendering	≥ 70
Colour temperature	5700 K
Mechanical Data	
Degree of protection (IP)	IP66
Protection class	I
Enclosure material	1.4301 stainless steel, Uncoated Uncoated
Sealing material	Silicone
Lens material	Toughened glass
Connection terminals solid max.	4 mm ²
Impact strength (IK code)	IK10 (IEC 62262)
Mounting	With bracket, SS304
Components	
Cable glands	2 x M25 Ø 7 – 17 mm
Cable entry accessories	1 x with stopping plug

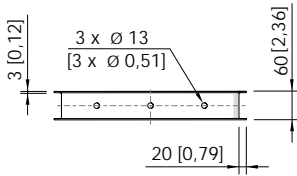
E2

Accessories				
Figure	Description	Art. No.	PS	Weight kg
Ring bolt				
	M6 (4 pieces), direct mounting in insert nuts	254234	Z3	0.202
Mounting bracket				
	Sheet steel, single powder coated	244604	Z3	3.091
	Stainless steel SS316L (1.4404 or V4A) without powder coating	221589	Z3	3.130

Dimensional Drawings (All Dimensions in mm [inches]) – Subject to Alterations



Floodlight without cooling element



Mounting bracket



- For use in gas group IIC
- Usable in the temperature range from -40 ... +60 °C
- Material: Enclosure made of cast aluminium, mounting components in stainless steel
- Lamp options: halogen lamps (QT) up to 500 W, halogen metal halide lamps (HIT) up to 400 W, sodium vapour high pressure lamps (HST) up to 400 W

WebCode **6121B**



The 6121 series floodlight for conventional lamp technologies is ideal for lighting up large areas from elevated positions. Two different light distribution types offer added versatility to fulfil your lighting needs. For normal application areas, the floodlight is designed with a single powder coating and a bracket made from single-coated sheet steel. Each variant is optionally available with a double powder coating and double-coated bracket made from 316L stainless steel specifically for offshore use.

	ATEX / IECEx					
Zone	0	1	2	20	21	22
Installation in		•	•		•	•

E2

Selection Table						
Lamp wattage	150 W					
Lamp type	HID - lamp					
Ambient temperature	-20 °C ... +60 °C (IIC T4) -60 °C ... +60 °C (IIB+H2 T4)					
Light distribution	Gas temperature class	Dust maximum surface temperature	Product Type	Art. No.	PS	Weight kg
Symmetrical, narrow-beam	T4	106 °C	6121/1322-2151-1111-111-514-2	221508	38	33.500
Symmetrical, wide-beam	T4	106 °C	6121/1312-2151-1111-111-514-2	221505	38	33.500
Lamp wattage	250 W					
Lamp type	HID - lamp					
Ambient temperature	-20 °C ... +60 °C (IIC T3) -60 °C ... +60 °C (IIB+H2 T3)					
Light distribution	Gas temperature class	Dust maximum surface temperature	Product Type	Art. No.	PS	Weight kg
Symmetrical, narrow-beam	T3	140 °C	6121/1322-2251-1111-111-514-2	221509	38	34.500
Symmetrical, wide-beam	T3	140 °C	6121/1312-2251-1111-111-514-2	221506	38	34.500
Lamp wattage	400 W					
Lamp type	HID - lamp					
Ambient temperature	-20 °C ... +60 °C (IIC T3) -60 °C ... +60 °C (IIB+H2 T3)					
Light distribution	Gas temperature class	Dust maximum surface temperature	Product Type	Art. No.	PS	Weight kg
Symmetrical, narrow-beam	T3	172 °C	6121/1322-2401-1111-111-514-2	221510	38	36.900
Symmetrical, wide-beam	T3	172 °C	6121/1312-2401-1111-111-514-2	221507	38	36.900

The luminaires are supplied without lamps. Please order them as accessories.

Technical Data

Explosion Protection

IECEX gas explosion protection	Ex de IIC T.. Gb
IECEX gas explosion protection	Ex de IIB+H2 T.. Gb
IECEX dust explosion protection	Ex tb IIIC T.. Db
ATEX gas explosion protection	⊕ II 2 G Ex de IIC T.. Gb
ATEX gas explosion protection	⊕ II 2 G Ex de IIB+H2 T.. Gb
ATEX dust explosion protection	⊕ II 2 D Ex tb IIIC T.. Db
EAC gas explosion protection	⊕ 1 Ex d e IIB+H2 T3/T4 Gb X ⊕ 1 Ex d e IIC T3/T4 Gb X
EAC dust explosion protection	⊕ Ex tb IIIC T86°C...T178°C Db X

Certificates ATEX (BVS), EAC (TehnoP), IECEX (BVS)

Notes For temperature classes and surface temperatures, see selection table

Electrical Data

Rated operational voltage AC	230 V
Frequency range	50 Hz

Lighting Data

Lamp holder	E40
Notes	QT IEC 60357 HIT IEC 61167 HST IEC 60662

Mechanical Data




Degree of protection (IP)	IP66
Enclosure material	Cast aluminium, Seawater-resistant Single-layer powder-coated
Lens material	Safety glass
Connection terminals finely-stranded max.	4 mm ²

Components

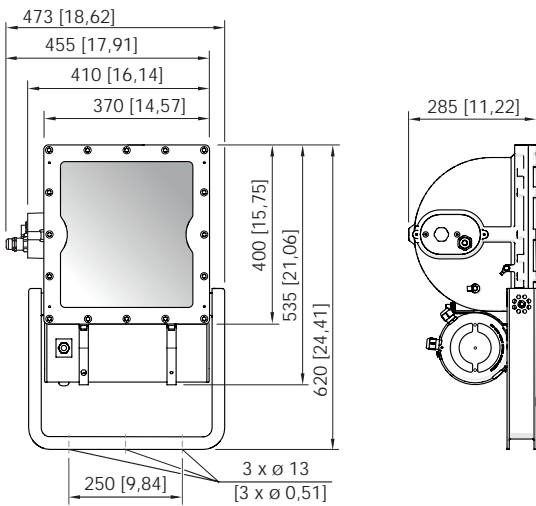
Cable glands	1 x M20 Ø 4 – 13 mm
Stopping plug	2 x M20 x 1.5

Accessories

Figure	Description	Art. No.	PS	Weight kg
Ring bolt				
	M10, direct mounting in insert nuts; 1 pair	118560 ▲	Z3	0.210
Mounting bracket				
	Mounting bracket with accessories Material: stainless steel V2A (1.4301; X5Cr-Ni18-10; S 30400)	224997	38	3.800
Light visor				
	Anti-glare grid with accessories Material: stainless steel V2A (1.4301; X5Cr-Ni18-10; S 30400)	230041	Z3	2.300

Accessories				
Figure	Description	Art. No.	PS	Weight kg
Impact protection grid				
	Impact protection grid with accessories Material: stainless steel V2A (1.4301; X5Cr-Ni18-10; S 30400)	230045	Z3	0.500
Box spanner				
	Box spanner for opening and closing lamp enclosures and connection chambers	223778	Z3	0.350
Lubricating grease for thread gap				
	Grease for low temperatures	105077	Z1	1.070

Dimensional Drawings (All Dimensions in mm [inches]) – Subject to Alterations



Floodlight, halogen metal halide lamps (HIT), high pressure sodium lamps (HST)

E2



- Floodlight Zones 2, 21 and 22 with highly efficient LEDs
- Low-maintenance due to long service life of up to 100,000 operating hours

WebCode **6525A**



The 6525 series LED floodlight is ideal for lighting up large areas from elevated positions. Three different light distribution types offer added versatility to fulfil your lighting needs. The long service life of the highly efficient LEDs reduces energy and maintenance costs. This means that the floodlight can also be installed in locations that are difficult to access. For normal application areas, the floodlight is designed with an enclosure and a bracket made from single-coated sheet steel. Each variant is optionally available with an enclosure and bracket made from double-coated 316L stainless steel specifically for offshore use.

E2

	ATEX / IECEx					
Zone	0	1	2	20	21	22
Installation in			•		•	•

Selection Table						
Lamp wattage		120 W				
Light distribution	Luminous flux	Luminaire efficacy	Product Type	Art. No.	PS	Weight kg
Medium-beam	12669 lm	94 lm/W	6525/1112-2301-5011-330	270990	64	16.180
Narrow-beam	12081 lm	101 lm/W	6525/1111-2301-5011-330	270986	64	16.180
Wide beam	12860 lm	107 lm/W	6525/1114-2301-5011-330	270994	64	16.601
Lamp wattage		210 W				
Light distribution	Luminous flux	Luminaire efficacy	Product Type	Art. No.	PS	Weight kg
Medium-beam	20966 lm	99 lm/W	6525/1112-4401-5011-330	270992	64	21.907
Narrow-beam	19979 lm	96 lm/W	6525/1111-4401-5011-330	270988	64	21.907
Wide beam	21026 lm	100 lm/W	6525/1114-4401-5011-330	270996	64	22.481



A cable entry and stopping plugs (both made from moulded material) come pre-installed.
 Fastening variant "with bracket": The bracket is supplied with the product and comes pre-installed
 "Universal" fastening variant (bracket, ring eye): The ring eyes are supplied with the product. For installation using a bracket, the appropriate bracket can be ordered as an accessory.

You can find variants made of sheet steel online at r-stahl.com WebCode 6525A

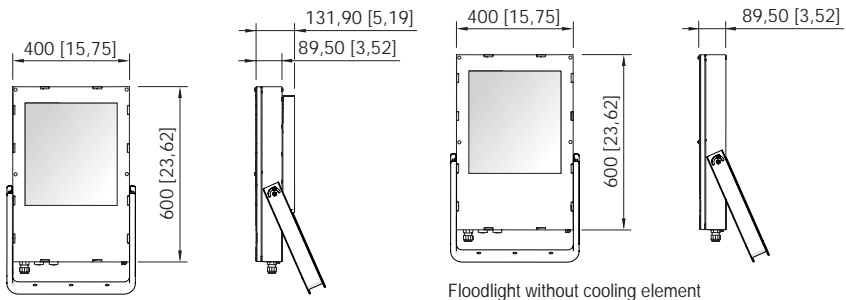
Technical Data	
Explosion Protection	
IECEx gas explosion protection	Ex nR op is IIC T6/T5 Gc
IECEx dust explosion protection	Ex tb IIIC T80 °C ... T95 °C Db

Technical Data	
Explosion Protection	
ATEX gas explosion protection	⊕ II 3 G Ex nR op is IIC T6/T5 Gc
ATEX dust explosion protection	⊕ II 2 D Ex tb IIIC T80 °C ... T95 °C Db
Certificates	ATEX (BVIS), China (CQST), EAC (Sertium), IECEx (BVIS), India (PESO)
Electrical Data	
Rated operational voltage AC	220 – 240 V
Frequency range	50 – 60 Hz
Ambient Conditions	
Ambient temperature	-60 °C ... +50 °C (IIC T6) (T80 °C) (Energise above -40 °C) -60 °C ... +60 °C (IIC T5) (T95 °C)
Storage temperature	-40 °C ... +75 °C
Lighting Data	
Lamp type	LED
Colour temperature	5700 K
Colour rendering	≥ 70
Mechanical Data	
Degree of protection (IP)	IP66
Protection class	I
Enclosure material	1.4301 stainless steel, Uncoated Uncoated
Sealing material	Silicone
Lens material	Toughened glass
Connection terminals solid max.	4 mm ²
Impact strength (IK code)	IK10 (IEC 62262)
Mounting	With bracket, SS304
Components	
Cable glands	2 x M25 Ø 7 – 17 mm
Stopping plug	1 x M25 x 1.5

E2

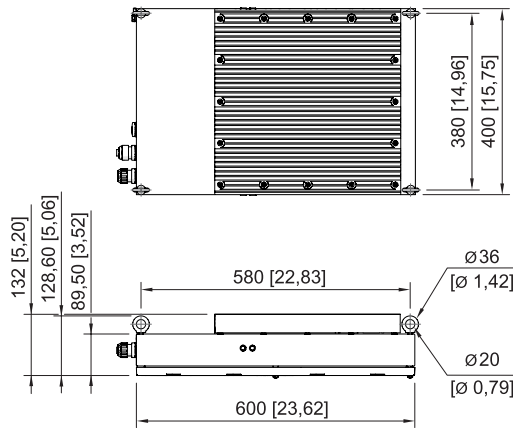
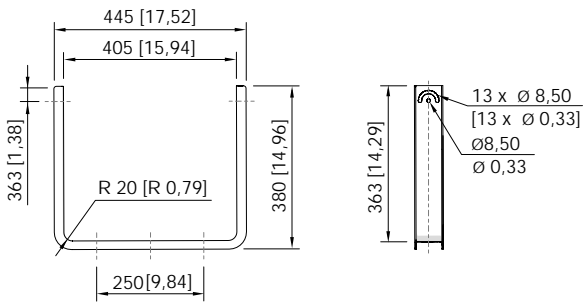
Accessories				
Figure	Description	Art. No.	PS	Weight kg
Ring bolt				
	M6 (4 pieces), direct mounting in insert nuts	254234	Z3	0.202
Mounting bracket				
	Sheet steel, single powder coated	244604	Z3	3.091
	Stainless steel SS316L (1.4404 or V4A) without powder coating	221589	Z3	3.130

Dimensional Drawings (All Dimensions in mm [inches]) – Subject to Alterations



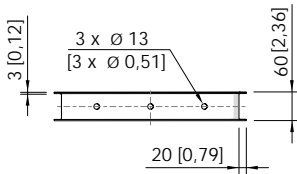
Floodlight without cooling element

Floodlight with cooling element

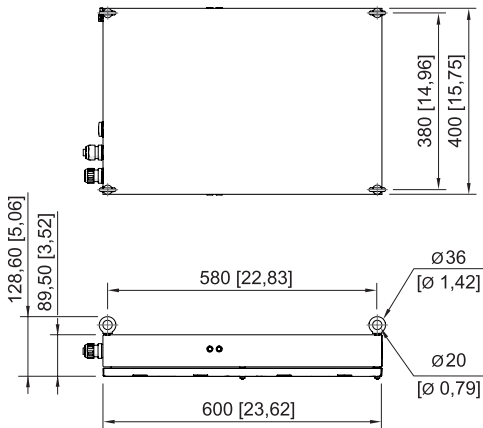


Floodlight with cooling element, with ring eyes

E2



Mounting bracket



Floodlight without cooling element, with ring eyes



- Enclosure available made of stainless steel V4A, V2A or sheet steel, coated
- Broad or narrow beam reflectors or asymmetrical light distribution, standard: broad beam

WebCode **6521B**



Series 6521/4 explosion protected floodlight for use in explosive gas atmospheres of Zone 2 as well as in areas with combustible dust of Zone 21 and Zone 22.

	ATEX / IECEx					
Zone	0	1	2	20	21	22
Installation in			•		•	•

Selection Table							
Design size		Size 1					
Lamp	Lamp wattage	Gas temperature class	Dust maximum surface temperature	Product Type	Art. No.	PS	Weight kg
HIT	150 W	T3	165 °C	6521/4111-215-123-1-230-50	210802 ▲	62	11.963
Design size		Size 2					
Lamp	Lamp wattage	Gas temperature class	Dust maximum surface temperature	Product Type	Art. No.	PS	Weight kg
HIT	250 W	T3	156 °C	6521/4212-625-123-1-230-50	210807 ▲	62	19.280
HST	150 W	T4	130 °C	6521/4212-315-123-1-230-50	210806	62	17.780
Design size		Size 3					
Lamp	Lamp wattage	Gas temperature class	Dust maximum surface temperature	Product Type	Art. No.	PS	Weight kg
HIT	250 W	T3	156 °C	6521/4312-625-123-1-230-50	210810 ▲	62	24.990
HST	400 W	T3	160 °C	6521/4312-640-123-1-230-50	210811 ▲	62	25.590
HST	600 W	T3	190 °C	6521/4312-360-123-1-230-50	210812	62	29.190

The floodlights are delivered without lamps, mounting bracket is delivered standard. Additional mounting accessories must be ordered separately.

Lamps:
 QT = Halogen lamps
 HIT = Metal halide lamps
 HST = High-pressure sodium lamps

You can find variants made of stainless steel online at r-stahl.com WebCode 6521B

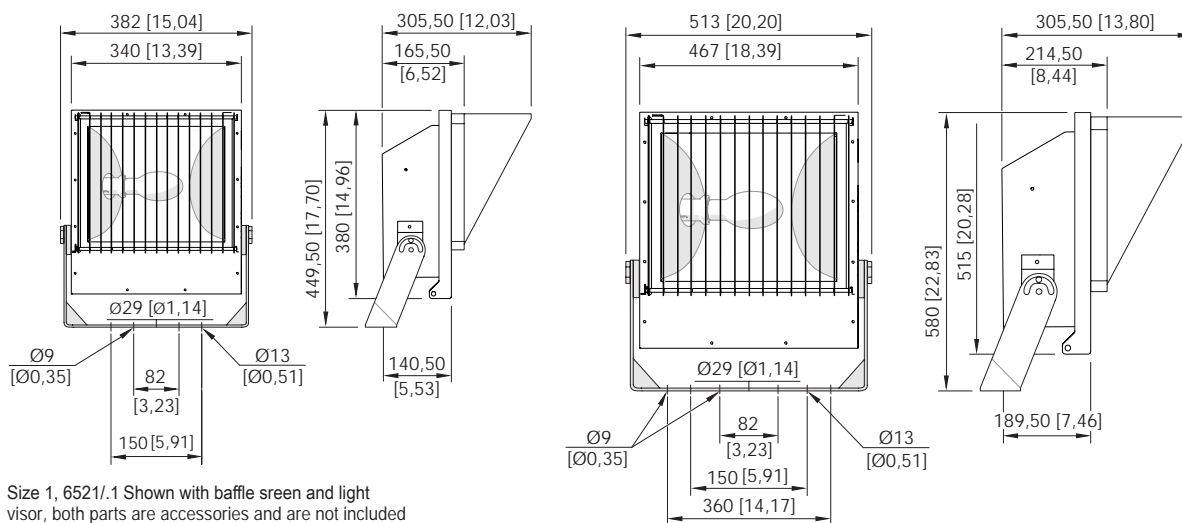
Technical Data	
Explosion Protection	
IECEx gas explosion protection	Ex nRc IIC T.. Gc
IECEx dust explosion protection	Ex tb IIIC T.. Db

E2

Technical Data

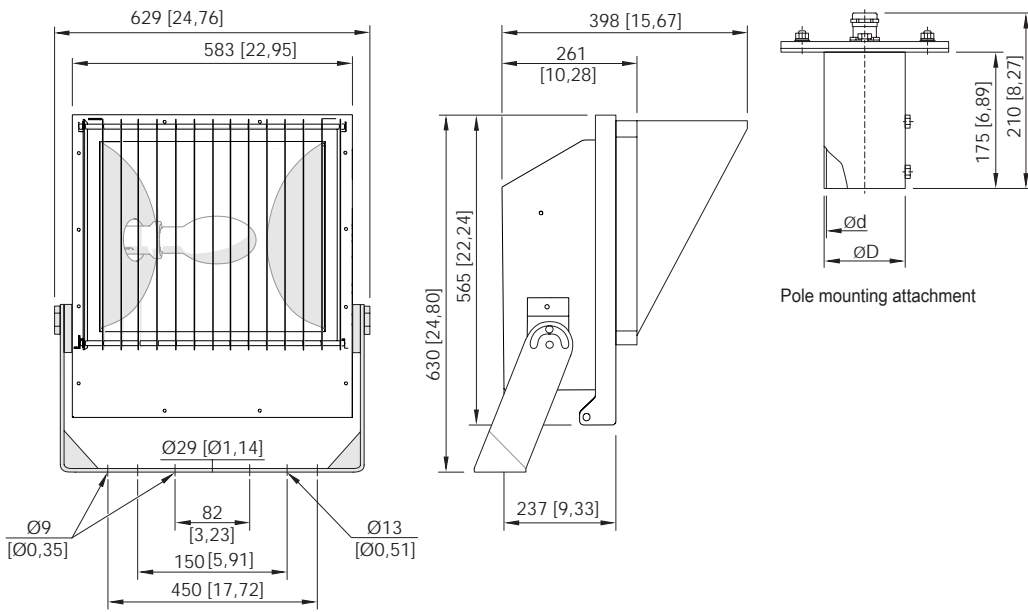
Explosion Protection	
ATEX gas explosion protection	II 3 G Ex nRc IIC T.. Gc
ATEX dust explosion protection	II 2 D Ex tb IIIC T.. Db
EAC gas explosion protection	2 Ex nR IIC Tx Gc
EAC dust explosion protection	1 Ex tb IIIC Txx°C Db X
Certificates	ATEX (TUR), Brazil (ULB), China (CQST), EAC (Sertium), IECEx (TUR), India (PESO)
Notes	For temperature classes and surface temperatures, see selection table
Electrical Data	
Rated operational voltage AC	230 V
Frequency range	50 Hz
Ambient Conditions	
Ambient temperature	-40 °C ... +40 °C
Lighting Data	
Lamp holder	E27
Light distribution	Symmetrical, wide-beam
Mechanical Data	
Degree of protection (IP)	IP66
Enclosure material	Sheet steel, Powder-coated Single-layer powder-coated
Lens material	Safety glass
Connection terminals finely-stranded max.	4 mm ²
Mounting	With bracket, sheet steel
Components	
Cable glands	2 x M20 Ø 6 – 13 mm
Stopping plug	1 x M20 x 1.5

Dimensional Drawings (All Dimensions in mm [inches]) – Subject to Alterations

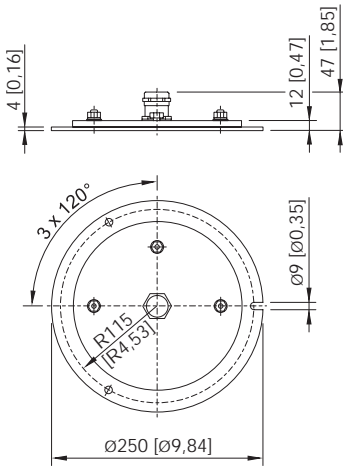


Size 1, 6521/1 Shown with baffle screen and light visor, both parts are accessories and are not included in the standard scope of delivery.

Size 2, 6521/2 Shown with baffle screen and light visor, both parts are accessories and are not included in the standard scope of delivery.




Size 3, 6521/3 Shown with baffle screen and light visor, both parts are accessories and are not included in the standard scope of delivery.



Mounting base (rotatable)

E2

Accessories				
Figure	Description	Art. No.	PS	Weight kg
Stopping plug				
	Brass, nickel-plated with O-ring, M20	106132	Z3	0.013
	Brass, nickel-plated with O-ring, M25	106133	Z3	0.025



- Long-life, energy-saving, high-performance LEDs embody design innovation
- For 110 to 240 V AC/DC, 24 to 48 V AC/DC or 12 V DC
- Standard version with diffuser for reduced glare and H07-RNF connection line, 2 x 1.5 mm²
- Further connection lines and connectors available as options

WebCode **6149B**



The 6149 inspection light is a versatile light that allows you to see into every corner. This is all down to its state-of-the-art LED technology, coupled with its long-life electronics, which have been developed in-house by R. STAHL and exhibit high energy efficiency and superior illuminance. The innovative design of the enclosure makes the light extremely slim and lightweight. Its lockable suspension hooks and practical anti-roll protection make it ideal for use in the workshop.

	ATEX / IECEx					
Zone	0	1	2	20	21	22
Installation in		•	•		•	•



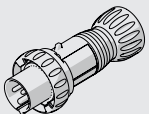
E2

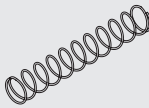
Selection Table								
Gas temperature class		T4						
Rated operational voltage DC	Rated operational voltage AC	Cable length	Luminous flux	Ambient temperature	Product Type	Art. No.	PS	Weight kg
12 V	-	5 m	850 lm	-40 °C ... +40 °C	6149/2-2211-5011	252282	64	1.825
24 – 48 V	24 – 48 V	5 m	850 lm	-40 °C ... +60 °C	6149/2-3211-5011	252192	64	1.620
		10 m	850 lm	-40 °C ... +60 °C	6149/2-3211-7011	252284	64	2.450
		20 m	850 lm	-40 °C ... +60 °C	6149/2-3211-8011	252198	64	3.700
110 – 240 V	110 – 240 V	5 m	1000 lm	-30 °C ... +60 °C	6149/2-5211-5011	252207	64	1.825
		10 m	1000 lm	-30 °C ... +60 °C	6149/2-5211-7011	252209	64	2.450
		20 m	1000 lm	-30 °C ... +60 °C	6149/2-5211-8011	252205	64	3.700
Gas temperature class		T6						
Rated operational voltage DC	Rated operational voltage AC	Cable length	Luminous flux	Ambient temperature	Product Type	Art. No.	PS	Weight kg
24 – 48 V	24 – 48 V	10 m	850 lm	-40 °C ... +40 °C	6149/2-3411-7011	252197 ▲	64	2.450
110 – 240 V	110 – 240 V	5 m	1000 lm	-30 °C ... +40 °C	6149/2-5411-5011	252206 ▲	64	1.825
		10 m	1000 lm	-30 °C ... +40 °C	6149/2-5411-7011	252210 ▲	64	2.450
		20 m	1000 lm	-30 °C ... +40 °C	6149/2-5411-8011	253653	64	3.700

The inspection light is delivered without plug and wire guard. Specify the plug on order. See accessories and spare parts.

Variants without wire guard can be equipped with a wire guard at a later stage. See accessories and spare parts.

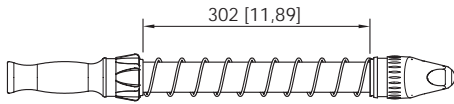
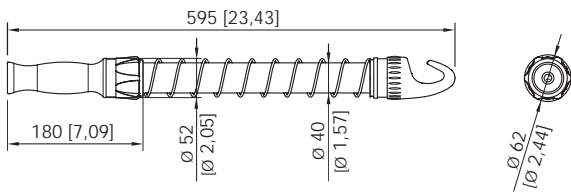
Technical Data		
Variant	Gas temperature class T4	Gas temperature class T6
Explosion Protection		
IECEX gas explosion protection	Ex d IIC T4 Gb	Ex d IIC T6 Gb
IECEX dust explosion protection	Ex tb IIIC T100 °C Db	Ex tb IIIC T80 °C Db
ATEX gas explosion protection	Ⓜ II 2 G Ex d IIC T4 Gb	Ⓜ II 2 G Ex d IIC T6 Gb
ATEX dust explosion protection	Ⓜ II 2 D Ex tb IIIC T100 °C Db	Ⓜ II 2 D Ex tb IIIC T80 °C Db
Certificates	ATEX (PTB), Brazil (ULB), IECEX (PTB)	
Lighting Data		
Lamp	Double-row LED	
Mechanical Data		
Degree of protection (IP)	IP66 / IP67	
Protection class	II (double insulated)	
Enclosure material	Aluminium	
Pipe material	Polycarbonate	
Type of connection cable	H07RN-F 2x1.5 mm ²	
Components		
Wire guard	Yes	

Accessories				
Figure	Description	Art. No.	PS	Weight kg
Mounting bracket				
	Mounting bracket made from galvanised sheet steel (x 2 units); for design size 1	120535 ▲	Z3	0.048
Mounting bracket and magnet				
	Mounting bracket made from galvanised sheet steel with magnetic base (x 2 units); for design size 1	120536 ▲	Z3	0.100
Plug				
	8570/12-304 3 pins, 100 ... 130 V AC, 50 / 60 Hz, 16 A	150599	10	0.331
	8570/12-306 3 pins, 200 ... 250 V AC, 50 / 60 Hz, 16 A	150579	10	0.331
	8573/12-200 2 pins, 20 ... 25 V, 50 / 60 Hz, 16 A	243197 ▲	10	0.300
	8573/12-210 2 pins, 20 ... 25 V, DC, 16 A	243203 ▲	10	0.300
	8573/12-300 3 pins, 20 ... 25 V, 50 / 60 Hz, 16 A	243190 ▲	10	0.300
	8573/12-312 3 pins, 40 ... 50 V, 50 / 60 Hz, 16 A	243195	10	0.300

Spare Parts				
Figure	Description	Art. No.	PS	Weight kg
Wire guard				
	Stainless steel wire guard for additional mechanical protection	120509 ▲	E3	0.170

E2

Dimensional Drawings (All Dimensions in mm [inches]) – Subject to Alterations



with wire guard



- Energy-saving, bright LED technology
- Approved in accordance with the relevant firefighting standard
- Lamp head pivots 190°
- Incredibly lightweight
- Main light continuously dimmable
- Long battery life
- Ergonomic one-hand operation

WebCode **6148A**



The ergonomic design of the 6148 series portable LED lamp allows you to operate this lamp with just one hand. Its brightness can be freely adjusted; alternatively, it can be set to flashing mode. The pivoting lamp head allows you to direct the light cone virtually anywhere. Coloured diffusing lenses are available as accessories, and transform your lamp into a portable Ex beacon. It approved for use in vehicles, and when connected to the charging unit, has an emergency lighting function.

	ATEX / IECEx					
Zone	0	1	2	20	21	22
Installation in		•	•		•	•

Selection Table

Figure	Product Description	Lamp	Product Type	Art. No.	PS	Weight kg
	LED portable lamp	LED	6148/1111-100	209687 ▲	64	1.550
	LED portable lamp Complete set	LED	6148/1111-111	209686 ▲	64	1.830

The complete set is delivered including charging unit and a charging cable for 230 V. A charging cable for 12/24 V can be ordered as accessories. The charging unit should only be used in safe areas.

The charging unit is equipped with three fastening holes for table mounting (see dimensional drawings). A wall bracket for wall mounting is available as accessories. A shoulder strap, belt hook and coloured diffusing lenses for the portable lamp are available as accessories. A clear diffusing lens is included in the delivery of the portable lamp and the complete set.

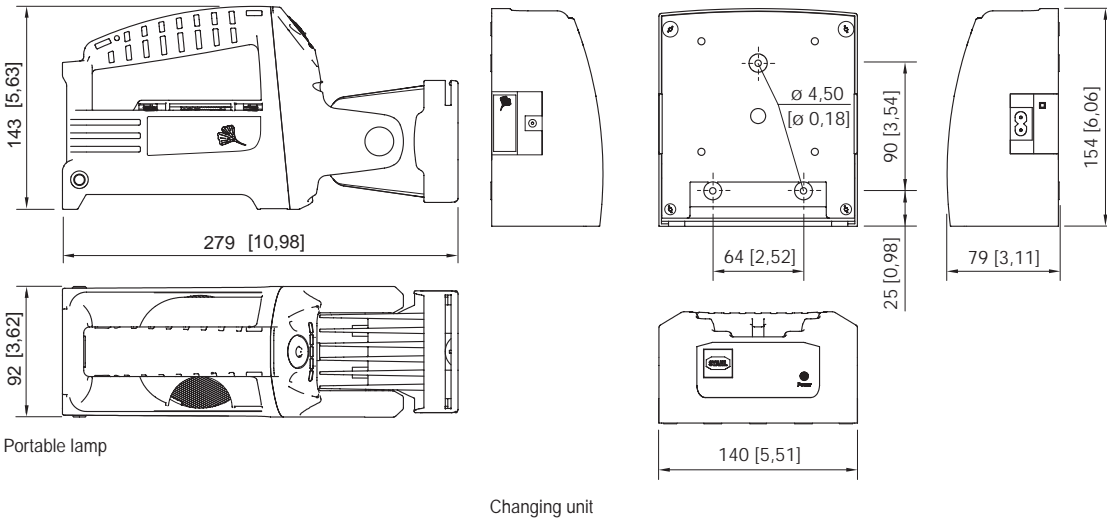
Technical Data

Explosion Protection	
IECEx gas explosion protection	Ex ib IIC T4 Gb
IECEx dust explosion protection	Ex tb IIIC T75 °C Db
ATEX gas explosion protection	Ⓔ II 2 G Ex ib IIC T4 Gb
ATEX dust explosion protection	Ⓔ II 2 D Ex tb IIIC T75 °C Db

Technical Data	
Explosion Protection	
EAC gas explosion protection	Ex ib IIC T4 Gb
EAC dust explosion protection	Ex tb IIIC T75°C Db
Certificates	ATEX (IBE), Brazil (ULB), EAC (STV), IECEX (IBE)
Ambient Conditions	
Ambient temperature	-20 °C ... +50 °C
Storage temperature	-25 °C ... +60 °C
Lighting Data	
Light colour	6500 K
Light intensity	24000 cd
Light distribution	In accordance with DIN 14642
Mechanical Data	
Degree of protection (IP)	IP66
Protection class	II (double insulated)
Enclosure material	Polyamide, Impact resistant
Lamp head tilting function	Front: 100°, rear: 90°
Enclosure colour	Black
Components	
Battery-Version	Lead-fleece battery, Maintenance-free, 6 V, 4.5 Ah

Accessories and spare parts found on page 369

Dimensional Drawings (All Dimensions in mm [inches]) – Subject to Alterations



E2



- For use in the safe area
- Latest LED technology
- Very high light intensity
- Low weight
- Lamp head pivoting by 190°
- Main light continuously dimmable
- Long battery life
- Ergonomic one-hand operation

WebCode L148A



The L148 series LED portable lamp for use in non-hazardous areas is ergonomically designed to enable you to operate it with one hand. Its brightness can also be freely adjusted.

Switching it to flashing mode allows you to use it as a signal beacon if required. Coloured diffusing lenses are available as accessories for this.

The pivoting lamp head allows you to direct the light cone virtually anywhere.

The portable lamp is approved for use in vehicles, and when connected to the charging unit, has an emergency lighting function.

Selection Table

Figure	Product Description	Lamp	Product Type	Art. No.	PS	Weight kg
	LED portable lamp	LED	L148/1111-100	225000	64	1.550
	LED portable lamp Complete set	LED	L148/1111-111	225779	64	1.800

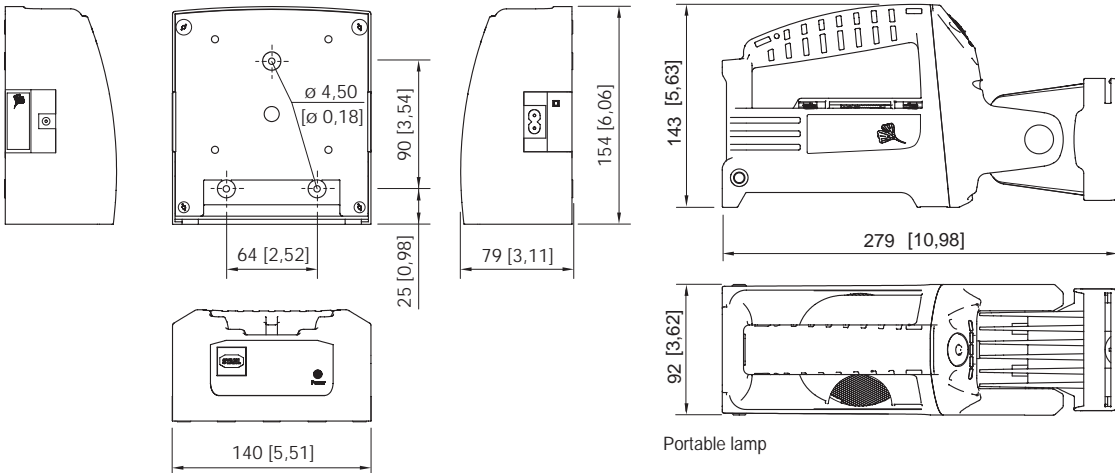
The complete set is delivered including charging unit and a charging cable for 230 V. A charging cable for 12/24 V can be ordered as accessories. The charging unit is equipped with three fastening holes for table mounting (see dimensional drawings). A wall bracket for wall mounting is available as accessories. A shoulder strap, belt hook and coloured diffusing lenses for the portable lamp are available as accessories. A clear diffusing lense is included in the delivery of the portable lamp and the complete set.

Technical Data

Ambient Conditions	
Ambient temperature	-20 °C ... +50 °C
Storage temperature	-25 °C ... +50 °C
Lighting Data	
Light colour	6500 K
Light intensity	24000 cd
Light distribution	In accordance with DIN 14642
Mechanical Data	
Degree of protection (IP)	IP66
Protection class	II (double insulated)
Enclosure material	Polyamide, Impact resistant

Technical Data	
Mechanical Data	
Lamp head tilting function	Front: 100°, rear: 90°
Enclosure colour	Black
Components	
Battery-Version	Lead-fleece battery, Maintenance-free, 6 V, 4.5 Ah

Dimensional Drawings (All Dimensions in mm [inches]) – Subject to Alterations






Changing unit





Portable lamp

E2

Accessories

Figure	Description	Art. No.	PS	Weight kg
Diffusing lens				
	clear	212333 ▲	Z3	0.014
	orange	212334 ▲	Z3	0.012
	red	212956 ▲	Z3	0.012
	green	220306	Z3	0.013
Wall bracket				
	for wall mounting the charging unit	212332 ▲	Z3	0.260

Accessories				
Figure	Description	Art. No.	PS	Weight kg
Belt hook				
	for fastening the portable lamp to the belt	212331 ▲	Z3	0.040
Shoulder strap				
	for carrying the portable lamp	212702 ▲	Z3	0.050
Adaptor for external charging unit.				
	for charging the portable lamp in the KFZ90 or LG443 charging unit	212701 ▲	Z3	0.344

Spare Parts				
Figure	Description	Art. No.	PS	Weight kg
Connection cable				
	230 V charging cable with plug	120014 ▲	E3	0.075
	12/24 V charging cable with plug	212316 ▲	E3	0.022
Battery				
	for 6148 lead-fleece battery, 6 V, 4.5 Ah	211124 ▲	E3	0.720
	for L148 lead-fleece battery, 6 V, 4.5 Ah	225707	E3	0.720
Charging unit				
	for 6148 (12 – 30 V DC and 100 – 240 V AC)	209688 ▲	E3	0.380
	for L148 (12 – 30 V DC and 110 – 240 V AC)	225781	E3	0.380

E2



- Powered by alkaline batteries so user not restricted by power point location
- Energy-saving LED technology
- Waterproof with IP68 (3 m, 30 min)
- Accessories for transportation

WebCode **6141B**



The battery-powered 6141/61 series hand lamp is small enough to fit in your pocket, so that it is within easy reach whenever you need it. It uses energy-saving LEDs and features a pushbutton that enables you to switch the torch on and off with one hand.

This hand lamp boasts IP68 level of protection, as well as ATEX and IECEx certification for use in hazardous areas in which an explosive atmosphere containing gas is present.

	ATEX / IECEx					
Zone	0	1	2	20	21	22
Installation in		•	•			



E2

Selection Table					
Product Description	Hand lamp				
Rated operational voltage DC	Battery version	Battery-Version	Art. No.	PS	Weight kg
3 V	2 x AAA	2 x AAA	203478 ▲	64	0.085


Technical Data	
Explosion Protection	
IECEx gas explosion protection	Ex ib IIB T4 Gb
ATEX gas explosion protection	Ⓔ II 2 G Ex ib IIB T4 Gb
Certificates	ATEX (ITS), IECEx (ITS)
Electrical Data	
Outdoor range	25 m
Ambient Conditions	
Ambient temperature	-20 °C ... +40 °C
Lighting Data	
Lamp	LED
Luminous flux	20 lm
Emergency light duration	~ 10 h
Mechanical Data	
Degree of protection (IP)	IP68 (3 m, 30 min.)
Enclosure material	Polycarbonate

Do not open lamp in hazardous locations!
For other battery types see operating instructions.

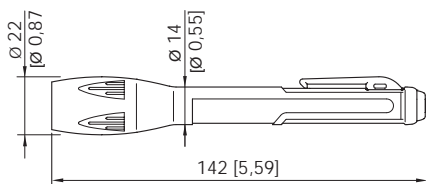
Accessories

Figure	Description	Art. No.	PS	Weight kg
Belt bag				
	black	204142 ▲	Z3	0.030
Fibre optic top piece				
	Length approx. 250 mm; black	203970	Z3	0.030

Spare Parts

Figure	Description	Art. No.	PS	Weight kg
Battery				
	4 x Daimon (by Duracell) LR03	204144	E3	0.300

Dimensional Drawings (All Dimensions in mm [inches]) – Subject to Alterations



E2



- Powered by alkaline batteries so user not restricted by power point location
- Energy-saving LED technology
- Waterproof with IP68 (3 m, 30 min)
- Accessories for signalling and transportation

WebCode **6141C**



The battery-powered 6141/62 series hand lamp is excellent for maintenance work and inspections. It uses energy-saving LEDs and features a pushbutton that enables you to switch the torch on and off with one hand. This hand lamp boasts IP68 level of protection, as well as ATEX and IECEx certification.

	ATEX / IECEx					
Zone	0	1	2	20	21	22
Installation in		•	•		•	•

Selection Table

Product Description	Hand lamp				
Rated operational voltage DC	Battery version	Battery-Version	Art. No.	PS	Weight kg
6 V	4 x AA	4 x AA	243788 ▲	64	0.190



Technical Data

Explosion Protection	
IECEx gas explosion protection	Ex ib IIB T4 Gb
IECEx dust explosion protection	Ex ib IIIC T81 °C Db
ATEX gas explosion protection	⊕ II 2 G Ex ib IIB T4 Gb
ATEX dust explosion protection	⊕ II 2 D Ex ib IIIC T81 °C Db
Certificates	ATEX (ITS), IECEx (ITS)
Electrical Data	
Outdoor range	100 m
Ambient Conditions	
Ambient temperature	-20 °C ... +40 °C
Lighting Data	
Lamp	LED
Luminous flux	50 lm
Emergency light duration	~ 15 – 50 h
Mechanical Data	
Degree of protection (IP)	IP68 (3 m, 30 min.)
Enclosure material	Polycarbonate

Do not open lamp in hazardous locations!
For other battery types see operating instructions.

E2

Accessories

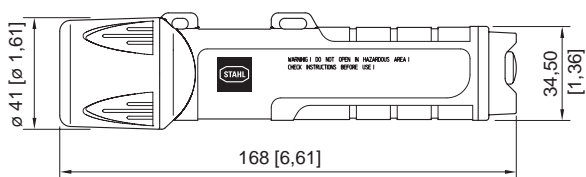
Figure	Description	Art. No.	PS	Weight kg
Belt bag				
	black	204141 ▲	Z3	0.037
Fibre optic top piece				
	Length approx. 250 mm; black	203969 ▲	Z3	0.025

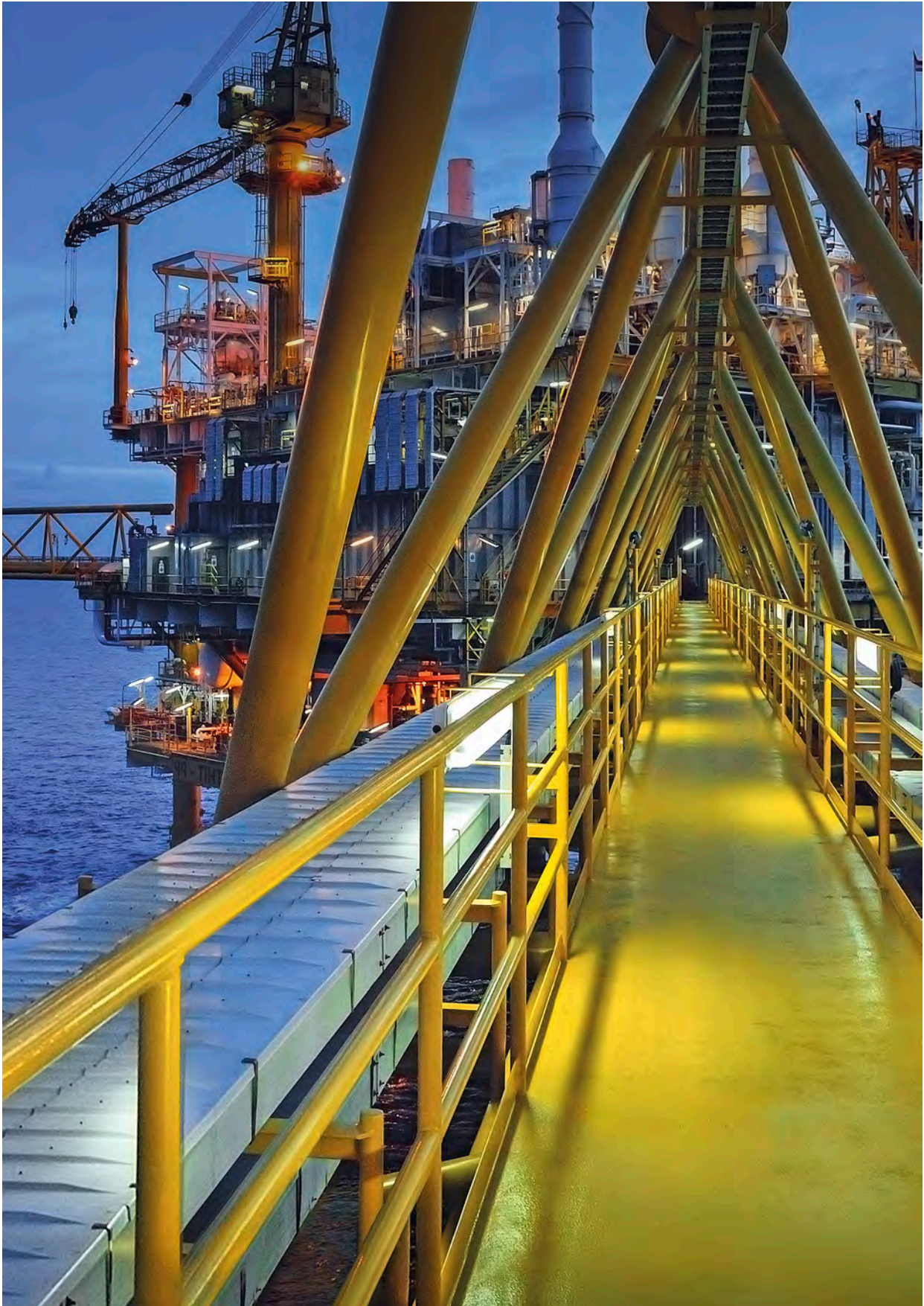
Spare Parts

Figure	Description	Art. No.	PS	Weight kg
Battery				
	4 x Energizer AA/LR6	204143	E3	0.350

Dimensional Drawings (All Dimensions in mm [inches]) – Subject to Alterations

E2





E2