

Klippon® STB – Small Terminal Box

Steel enclosures

Ideally suited for the energy and process industry and transportation, the Klippon® STB range is the perfect complement to our existing Klippon® enclosure product line. Enclosures of this range comply with international standards.

Some of the many advantages of these cases are:

- Available in stainless steel or in steel sheet
- Higher temperature resistant seals than the standard
- Flexible options when mounting the internal rail
- The gasket is protected against compression; this ensures that a permanent and secure seal is maintained.
- Earth studs in the lid and in the enclosure base
- Lasered welding seams offer improved quality
- Delivered with welded mounting feet to ensure an sturdy enclosure installation

Weidmüller can manufacture and supply this enclosure to match customer specifications and fitted with all necessary terminals and cable glands.



Overview of enclosures

Ordering data

Description	Height x width x depth in mm	Mirror-polish	Electropolished	Powder-coated (RAL7032)
Klippon® STB 1	120 x 120 x 80	1002690000	1058810000	1024970000
Klippon® STB 1.1	150 x 120 x 80	1002750000	1058820000	1024980000
Klippon® STB 2	150 x 150 x 90	1002740000	1058830000	1024990000
Klippon® STB 2.1	190 x 150 x 90	1002730000	1058840000	1025010000
Klippon® STB 3	190 x 190 x 100	1002720000	1058850000	1025020000
Klippon® STB 4	250 x 250 x 120	1002710000	1058860000	1025030000
Klippon® STB 5	160 x 380 x 120	1002700000	1058880000	1025040000
Klippon® STB 6	250 x 400 x 130	1002760000	1058870000	1025050000

Note

Technical Overview

Features

- Mirror-polished or electropolished stainless steel 1.4404 (316L) or powder coated steel sheet 1.0330
- Fitted with a welded, internal C-profile rail (TAS 20) and mounting feet
- Laser cut weld seams
- Approved according to the latest international norms

Note We deliver enclosures through our assembly service which are ready to be connected and suitable for every application

Technical data

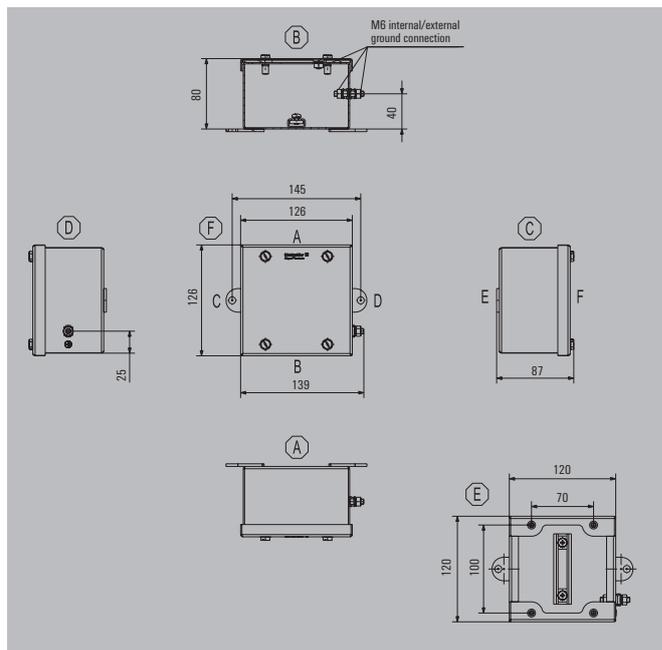
	Stainless steel	Sheet steel
Enclosure material	Stainless steel 1.4404 (316L) in 1.50 mm	Steel sheet 1.0330 in 1.50 mm
Surface finish	Mirror-polished, electropolished	Powder-coated RAL 7032
IP protection class	IP 66	IP 66
NEMA Rating	4, 4x	
Earthing	Enclosure base part: internal / external M6 stainless steel Lid: M6 x 10 stainless steel	Enclosure base part: internal / external M6 stainless steel Lid: M6 x 10 stainless steel
Installation mounting	Welded C-profile rail	Welded C-profile rail
Enclosure attachment	2 external mounting feet with 8 mm holes	2 external mounting feet with 8 mm holes
Lid opening	Completely removable lid with 4 x M5 screws	Completely removable lid with 4 x M5 screws
Impact resistance	7J ATEX to IEC 60079-0	10J industrial version to DIN EN 50102
Gasket material	Silicone -60 °C...+120 °C	Silicone -60 °C...+120 °C
Lid screws, torque*	2.5 Nm	2.5 Nm
Note	* To secure the lid, please use our hexagonal socket wrench with a 10 mm socket (9009070000)	

Approvals for empty enclosures

	Stainless steel	Sheet steel
ATEX certificate	IBExU07ATEX1147 U	
ATEX marking	II 2G Ex e IIC TX Gb, II 2(1)G Ex e ia IIC TX Gb or II 1G Ex ia IIC TX Ga, II 2D Ex tb IIIC TX Db IP6X	
IECEX certificate	IECEX IBE 09.0018U	
IECEX marking	Ex e IIC Gb, Ex ia IIC Ga, Ex tb IIIC Db IP6X	
AEx	E223792	
cULus	E197061 and E256877	
KOSHA	16-AV4B0-247X	
Lloyds Register	08/20032	08/20032
DNV GL	59 358 - 08 HH	
Russian Maritime Register	15.40041.250	15.40041.250
INMETRO	IEx 13.0002U	
EAC	RUC-DE.08.B.00472	
Note	This enclosure range is component certified. If other electrical components are inserted into the case, additional certification is required.	

Approvals for control and distribution box

	Stainless steel		
ATEX certificate	IBExU07ATEX1148	INMETRO certificate	IEx 13.0003
ATEX marking	II 2G Ex e IIC TX Gb, II 2(1)G Ex e ia IIC TX Gb or II 1G Ex ia IIC TX Ga, II 2D Ex tb IIIC TX Db IP6X	INMETRO marking	Ex e IIC T* Gb Ex e [ia Ga] IIC T* Gb Ex ia IIC T* Ga Ex tb IIIC T* Db IP66
IECEX certificate	IECEX IBE 09.0019	EAC certificate	RUC-DE.08.B.01328
IECEX marking	Ex e IIC TX Gb Ex e [ia Ga] IIC TX Gb Ex ia IIC TX Ga Ex tb IIIC TX Db IP6x	EAC marking	II 2 G Ex e IIC T6...T4 Gb, II 2(1) G Ex e [ia Ga] IIC T6...T4 Gb, II 1 G Ex ia IIC T6...T4 Ga, II 2 D Ex tb IIIC T80°C...T130°C Db
AEx certificate	E223792	AEx marking	Class I, Zone 1, AEx e IIC Gb T6...T4 Class I, Zone 2, AEx e IIC Gc T6...T4 Class I Div.2 Group A,B,C,D T6...T4 Class II Div.2 Group F,G Zone 21, AEx tb IIIC Db
Note	If you have specific requirements for equipment operating in explosive hazard areas, please contact us at Weidmüller to receive a full copy of the certification. For details of power dissipation, please contact your Weidmüller representative.		



Height / Width / Depth 120 / 120 / 80 mm

Ordering data

Stainless steel 1.4404 (316L)	Order No.
mirror-polish	1002690000
electropolished	1058810000
Sheet steel, powder-coated (RAL 7032)	Order No.
powder-coated	1024970000

Note The colours of painted enclosures may vary under certain circumstances.

Accessories

Sliding fixing nut with screw	Order No.
M5	0433500000
Compensating element	Order No.
Polyamide 6, M12	1868570000
Stainless steel 1.4305, M12	1868550000
Stainless steel 1.4404, M20 for Ex applications	1344630000
Socket wrench	Order No.
M10 socket wrench	9009070000

Max. number of terminals (industry)

Assembly with terminal	vertical	horizontal
2.5 mm ²	1x17	
4 mm ²	1x14	
6 mm ²	1x11	
10 mm ²	1x8	
16 mm ²	1x7	



Note The mounting rails are designed to be installed directly. Assembly with terminals provides for 10 mm clearance to the ends of the mounting rail. Recommended order: TS 35 mounting rail (screw terminal) WDU 2.5 1020000000 / (tension clamp terminal) ZDU 2.5 1608510000 TS 32 mounting rail (screw terminal) SAK 2.5 0279660000 TS 15 mounting rail (screw terminal) AKZ 2.5 0697160000

Number of cable entries

Number of cable entries	A / B	C / D
M12	10	8
M16	6	4
M20	6	4
M25	3	2
M32	2	1
M40	2	1
M50		
M63		

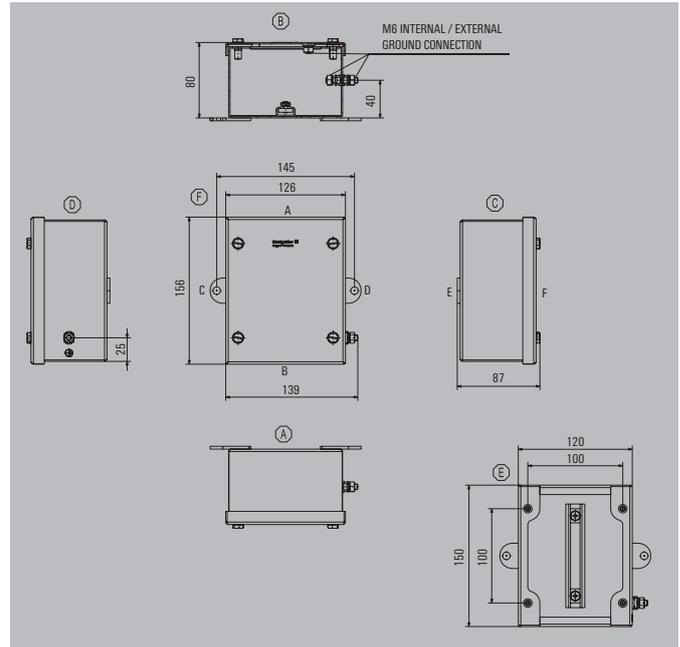


Note

Note The enclosure is supplied with a set of sliding fixing nuts, washer, screws M5, to fix the mounting rail TS 35 or TS 32 into the C-Profile.

Klippon® STB 1.1

Depth **80 mm**



Height / Width / Depth 150 / 120 / 80 mm

Ordering data

Stainless steel 1.4404 (316L)		Order No.
	mirror-polish	1002750000
	electropolished	1058820000
Sheet steel, powder-coated (RAL 7032)		Order No.
	powder-coated	1024980000
Note The colours of painted enclosures may vary under certain circumstances.		

Accessories

Sliding fixing nut with screw		Order No.
	M5	0433500000
Compensating element		
	Polyamide 6, M12	1868570000
	Stainless steel 1.4305, M12	1868550000
	Stainless steel 1.4404, M20 for Ex applications	1344630000
Socket wrench		
	M10 socket wrench	9009070000

Max. number of terminals (industry)

Assembly with terminal	vertical	horizontal
	2.5 mm ²	1x23
	4 mm ²	1x19
	6 mm ²	1x14
	10 mm ²	1x11
	16 mm ²	1x9



Note The mounting rails are designed to be installed directly. Assembly with terminals provides for 10 mm clearance to the ends of the mounting rail. Recommended order: TS 35 mounting rail (screw terminal) WDU 2.5 1020000000 / (tension clamp terminal) ZDU 2.5 1608510000 TS 32 mounting rail (screw terminal) SAK 2.5 0279660000 TS 15 mounting rail (screw terminal) AKZ 2.5 0697160000

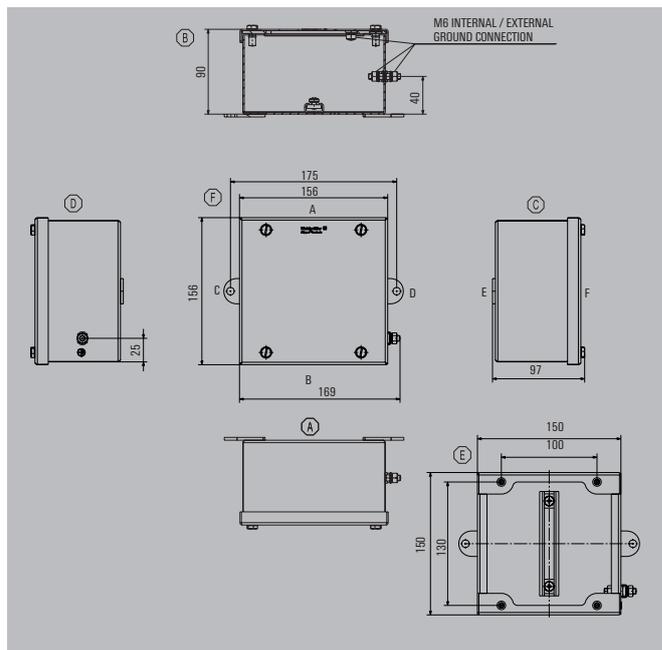
Number of cable entries

Number of cable entries	A / B	C / D
	M12	10
	M16	6
	M20	6
	M25	3
	M32	2
	M40	2
	M50	1
	M63	



Note

Note The enclosure is supplied with a set of sliding fixing nuts, washer, screws M5, to fix the mounting rail TS 35 or TS 32 into the C-Profile.



Height / Width / Depth 150 / 150 / 90 mm

Ordering data

Stainless steel 1.4404 (316L)		Order No.
	mirror-polish	1002740000
	electropolished	1058830000
Sheet steel, powder-coated (RAL 7032)		
	powder-coated	1024990000
Note The colours of painted enclosures may vary under certain circumstances.		

Accessories

Sliding fixing nut with screw		Order No.
	M5	0433500000
Compensating element		
	Polyamide 6, M12	1868570000
	Stainless steel 1.4305, M12	1868550000
	Stainless steel 1.4404, M20 for Ex applications	1344630000
Socket wrench		
	M10 socket wrench	9009070000

Max. number of terminals (industry)

Assembly with terminal	vertical	horizontal
	2.5 mm ²	1x23
	4 mm ²	1x19
	6 mm ²	1x14
	10 mm ²	1x11
	16 mm ²	1x9



Note The mounting rails are designed to be installed directly. Assembly with terminals provides for 10 mm clearance to the ends of the mounting rail. Recommended order: TS 35 mounting rail (screw terminal) WDU 2.5 1020000000 / (tension clamp terminal) ZDU 2.5 1608510000 TS 32 mounting rail (screw terminal) SAK 2.5 0279660000 TS 15 mounting rail (screw terminal) AKZ 2.5 0697160000

Number of cable entries

Number of cable entries	A / B	C / D
	M12	15
	M16	10
	M20	8
	M25	6
	M32	3
	M40	2
	M50	1
	M63	1



Note

Note The enclosure is supplied with a set of sliding fixing nuts, washer, screws M5, to fix the mounting rail TS 35 or TS 32 into the C-Profile.

Klippon® STB 2.1

Depth **90 mm**



Height / Width / Depth 190 / 150 / 90 mm

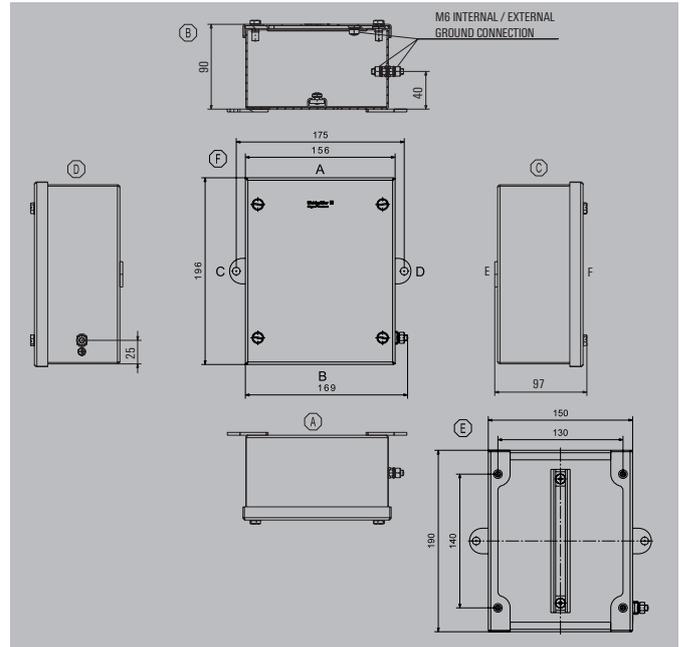
Ordering data

Stainless steel 1.4404 (316L)	Order No.
mirror-polish	1002730000
electropolished	1058840000
Sheet steel, powder-coated (RAL 7032)	Order No.
powder-coated	1025010000
Note The colours of painted enclosures may vary under certain circumstances.	

Accessories

Sliding fixing nut with screw	Order No.
M5	0433500000
Compensating element	Order No.
Polyamide 6, M12	1868570000
Stainless steel 1.4305, M12	1868550000
Stainless steel 1.4404, M20 for Ex applications	1344630000
Socket wrench	Order No.
M10 socket wrench	9009070000

Note The enclosure is supplied with a set of sliding fixing nuts, washer, screws M5, to fix the mounting rail TS 35 or TS 32 into the C-Profile.



Max. number of terminals (industry)

Assembly with terminal	vertical	horizontal
2.5 mm ²	1x30	
4 mm ²	1x25	
6 mm ²	1x20	
10 mm ²	1x15	
16 mm ²	1x13	



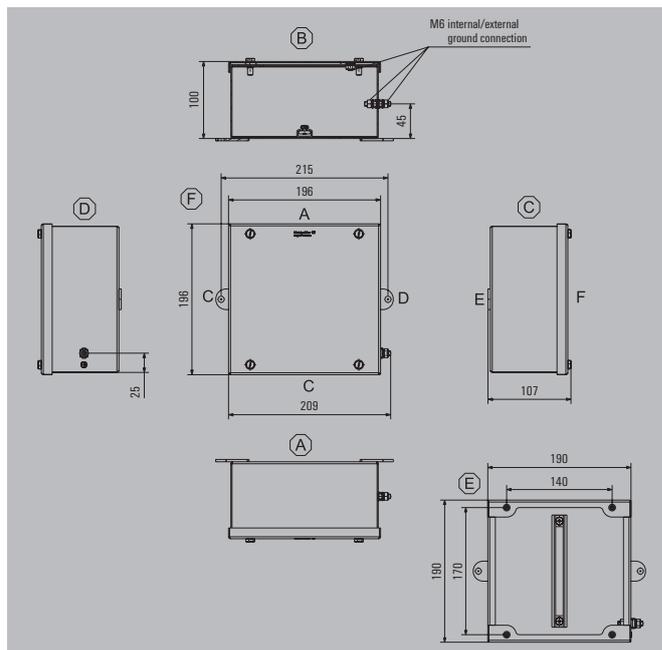
Note The mounting rails are designed to be installed directly. Assembly with terminals provides for 10 mm clearance to the ends of the mounting rail. Recommended order: TS 35 mounting rail (screw terminal) WDU 2.5 1020000000 / (tension clamp terminal) ZDU 2.5 1608510000 TS 32 mounting rail (screw terminal) SAK 2.5 0279660000 TS 15 mounting rail (screw terminal) AKZ 2.5 0697160000

Number of cable entries

Number of cable entries	A / B	C / D
M12	15	18
M16	10	10
M20	8	10
M25	3	3
M32	3	3
M40	2	2
M50	1	1
M63		



Note



Height / Width / Depth 190 / 190 / 100 mm

Ordering data

Stainless steel 1.4404 (316L)		Order No.
	mirror-polish	1002720000
	electropolished	1058850000
Sheet steel, powder-coated (RAL 7032)		
	powder-coated	1025020000
Note The colours of painted enclosures may vary under certain circumstances.		

Accessories

Sliding fixing nut with screw		Order No.
	M5	0433500000
Compensating element		
	Polyamide 6, M12	1868570000
	Stainless steel 1.4305, M12	1868550000
	Stainless steel 1.4404, M20 for Ex applications	1344630000
Socket wrench		
	M10 socket wrench	9009070000

Max. number of terminals (industry)

Assembly with terminal	vertical	horizontal
	2.5 mm ²	1x30
	4 mm ²	1x25
	6 mm ²	1x20
	10 mm ²	1x15
	16 mm ²	1x13



Note The mounting rails are designed to be installed directly. Assembly with terminals provides for 10 mm clearance to the ends of the mounting rail. Recommended order: TS 35 mounting rail (screw terminal) WDU 2.5 1020000000 / (tension clamp terminal) ZDU 2.5 1608510000 TS 32 mounting rail (screw terminal) SAK 2.5 0279660000 TS 15 mounting rail (screw terminal) AKZ 2.5 0697160000

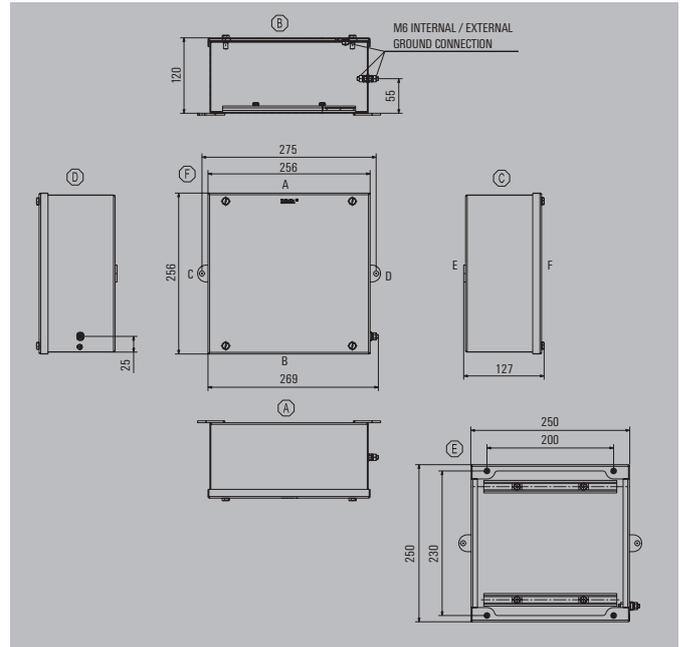
Number of cable entries

Number of cable entries	A / B	C / D
	M12	21
	M16	15
	M20	10
	M25	8
	M32	3
	M40	3
	M50	2
	M63	1



Note

Note The enclosure is supplied with a set of sliding fixing nuts, washer, screws M5, to fix the mounting rail TS 35 or TS 32 into the C-Profile.



Height / Width / Depth 250 / 250 / 120 mm

Ordering data

Stainless steel 1.4404 (316L)		Order No.
	mirror-polish	1002710000
	electropolished	1058860000
Sheet steel, powder-coated (RAL 7032)		
	powder-coated	1025030000
Note The colours of painted enclosures may vary under certain circumstances.		

Accessories

Sliding fixing nut with screw		Order No.
	M5	0433500000
Compensating element		
	Polyamide 6, M12	1868570000
	Stainless steel 1.4305, M12	1868550000
	Stainless steel 1.4404, M20 for Ex applications	1344630000
Socket wrench		
	M10 socket wrench	9009070000

Max. number of terminals (industry)

Assembly with terminal	vertical	horizontal
	2.5 mm ²	2x42
	4 mm ²	2x35
	6 mm ²	2x27
	10 mm ²	2x22
	16 mm ²	2x18



Note The mounting rails are designed to be installed directly. Assembly with terminals provides for 10 mm clearance to the ends of the mounting rail. Recommended order: TS 35 mounting rail (screw terminal) WDU 2.5 1020000000 / (tension clamp terminal) ZDU 2.5 1608510000 TS 32 mounting rail (screw terminal) SAK 2.5 0279660000 TS 15 mounting rail (screw terminal) AKZ 2.5 0697160000

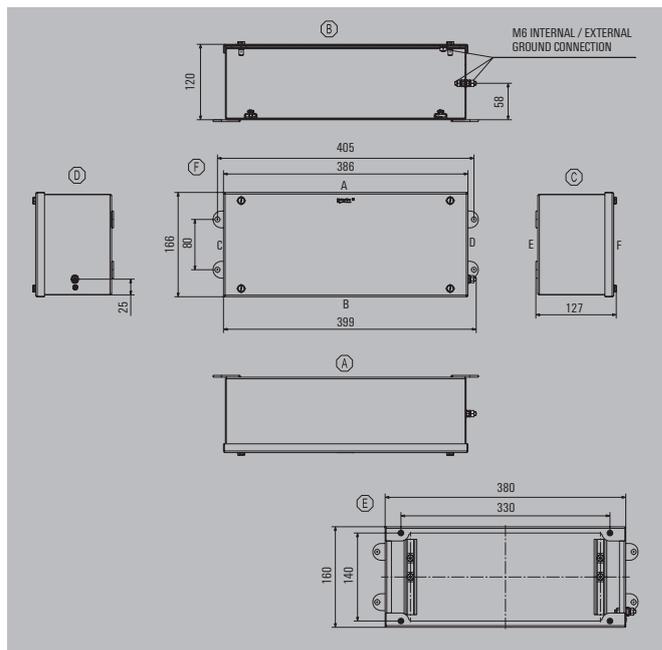
Number of cable entries

Number of cable entries	A / B	C / D
	M12	24
	M16	21
	M20	12
	M25	10
	M32	8
	M40	3
	M50	3
	M63	2

Note



Note The enclosure is supplied with a set of sliding fixing nuts, washer, screws M5, to fix the mounting rail TS 35 or TS 32 into the C-Profile.



Height / Width / Depth 160 / 380 / 120 mm

Ordering data

Material / Finish	Order No.
Stainless steel 1.4404 (316L)	
mirror-polish	1002700000
electropolished	1058880000
Sheet steel, powder-coated (RAL 7032)	
powder-coated	1025040000

Note The colours of painted enclosures may vary under certain circumstances.

Accessories

Accessory	Order No.
Sliding fixing nut with screw	
M5	0433500000
Compensating element	
Polyamide 6, M12	1868570000
Stainless steel 1.4305, M12	1868550000
Stainless steel 1.4404, M20 for Ex applications	1344630000
Socket wrench	
M10 socket wrench	9009070000

Max. number of terminals (industry)

Assembly with terminal	vertical	horizontal
2.5 mm ²	3x25	1x68
4 mm ²	3x21	1x57
6 mm ²	3x16	1x44
10 mm ²	3x12	1x35
16 mm ²	3x10	1x29



Note The mounting rails are designed to be installed directly. Assembly with terminals provides for 10 mm clearance to the ends of the mounting rail. Recommended order: TS 35 mounting rail (screw terminal) WDU 2.5 1020000000 / (tension clamp terminal) ZDU 2.5 1608510000 TS 32 mounting rail (screw terminal) SAK 2.5 0279660000 TS 15 mounting rail (screw terminal) AKZ 2.5 0697160000

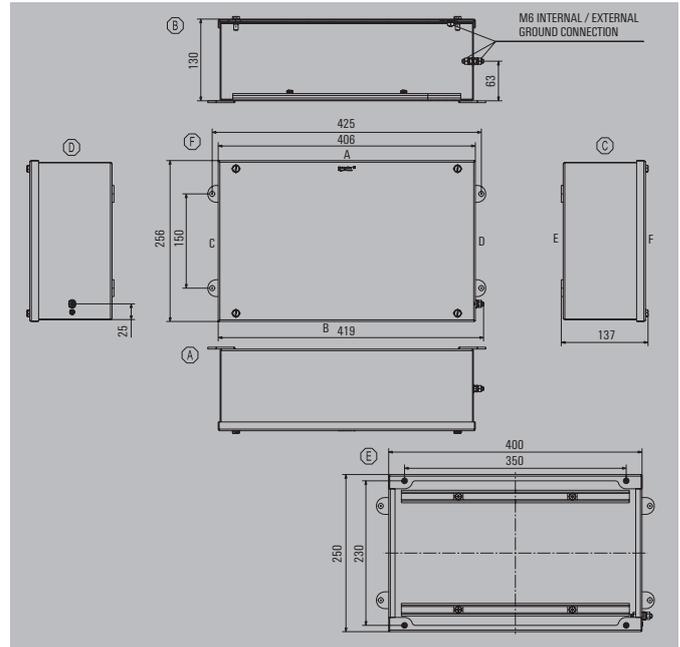
Number of cable entries

Number of cable entries	A / B	C / D
M12	64	20
M16	33	12
M20	30	12
M25	16	6
M32	10	4
M40	6	2
M50	4	1
M63	2	1



Note

Note The enclosure is supplied with a set of sliding fixing nuts, washer, screws M5, to fix the mounting rail TS 35 or TS 32 into the C-Profile.



Height / Width / Depth 250 / 400 / 130 mm

Ordering data

Stainless steel 1.4404 (316L)	Order No.
mirror-polish	1002760000
electropolished	1058870000
Sheet steel, powder-coated (RAL 7032)	Order No.
powder-coated	1025050000

Note The colours of painted enclosures may vary under certain circumstances.

Accessories

Sliding fixing nut with screw	Order No.
M5	0433500000
Compensating element	Order No.
Polyamide 6, M12	1868570000
Stainless steel 1.4305, M12	1868550000
Stainless steel 1.4404, M20 for Ex applications	1344630000
Socket wrench	Order No.
M10 socket wrench	9009070000

Max. number of terminals (industry)

Assembly with terminal	vertical	horizontal
2.5 mm ²	3x42	2x72
4 mm ²	3x35	2x60
6 mm ²	3x27	2x46
10 mm ²	3x22	2x37
16 mm ²	3x18	2x30



Note The mounting rails are designed to be installed directly. Assembly with terminals provides for 10 mm clearance to the ends of the mounting rail. Recommended order: TS 35 mounting rail (screw terminal) WDU 2.5 1020000000 / (tension clamp terminal) ZDU 2.5 1608510000 TS 32 mounting rail (screw terminal) SAK 2.5 0279660000 TS 15 mounting rail (screw terminal) AKZ 2.5 0697160000

Number of cable entries

Number of cable entries	A / B	C / D
M12	64	36
M16	33	21
M20	30	18
M25	16	10
M32	10	8
M40	6	3
M50	4	2
M63	2	2

Note



Note The enclosure is supplied with a set of sliding fixing nuts, washer, screws M5, to fix the mounting rail TS 35 or TS 32 into the C-Profile.